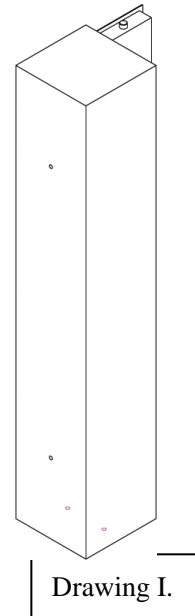


## #905 The Limited 5 Gun Cabinet

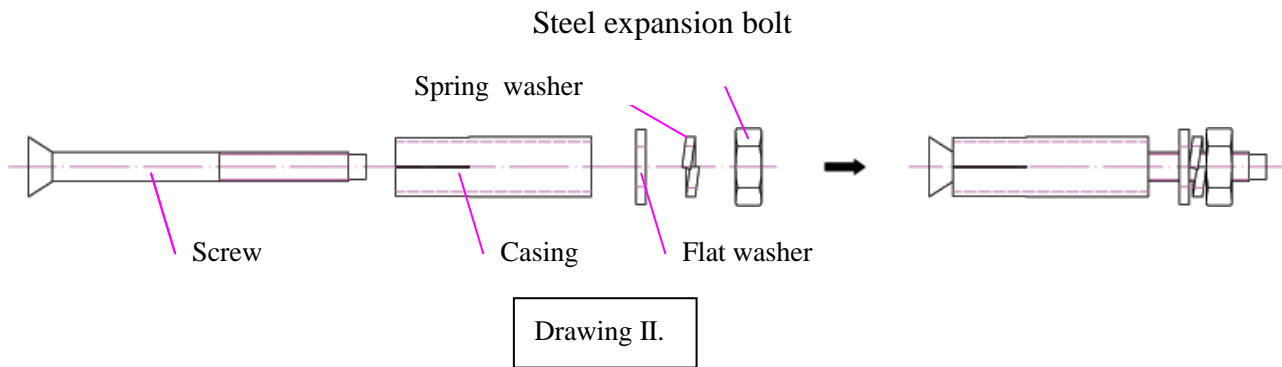
### Mounting Instructions

To provide maximum security, this safe may be bolted down.

1. There are holes for bolting down the cabinet;  
two at the bottom and two in the back.



2. Bolt-down kits: 2 steel expansion screws

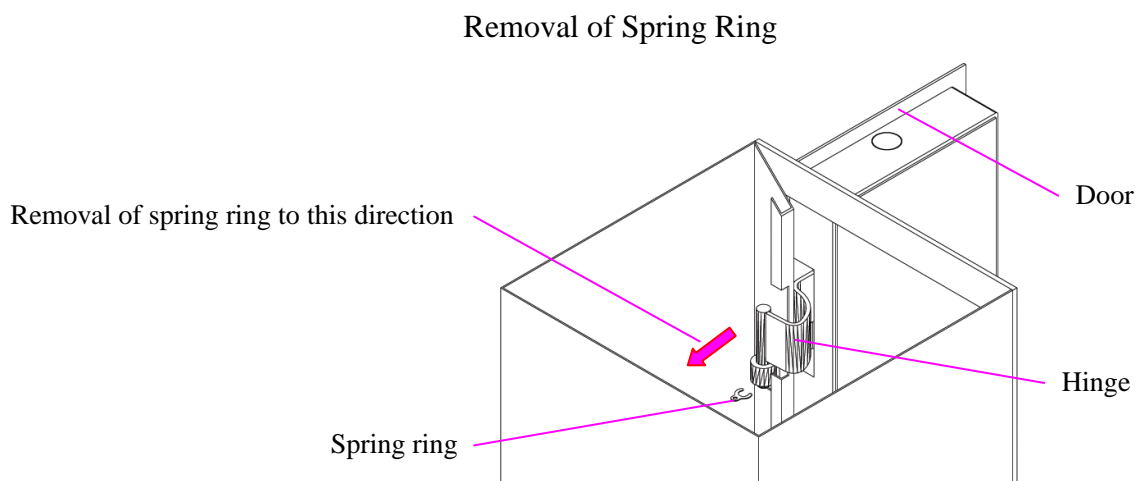


#### Warning:

- **The safe may lean forward when you open the safe door.**

3. Optional to Remove Door. Drawing III.

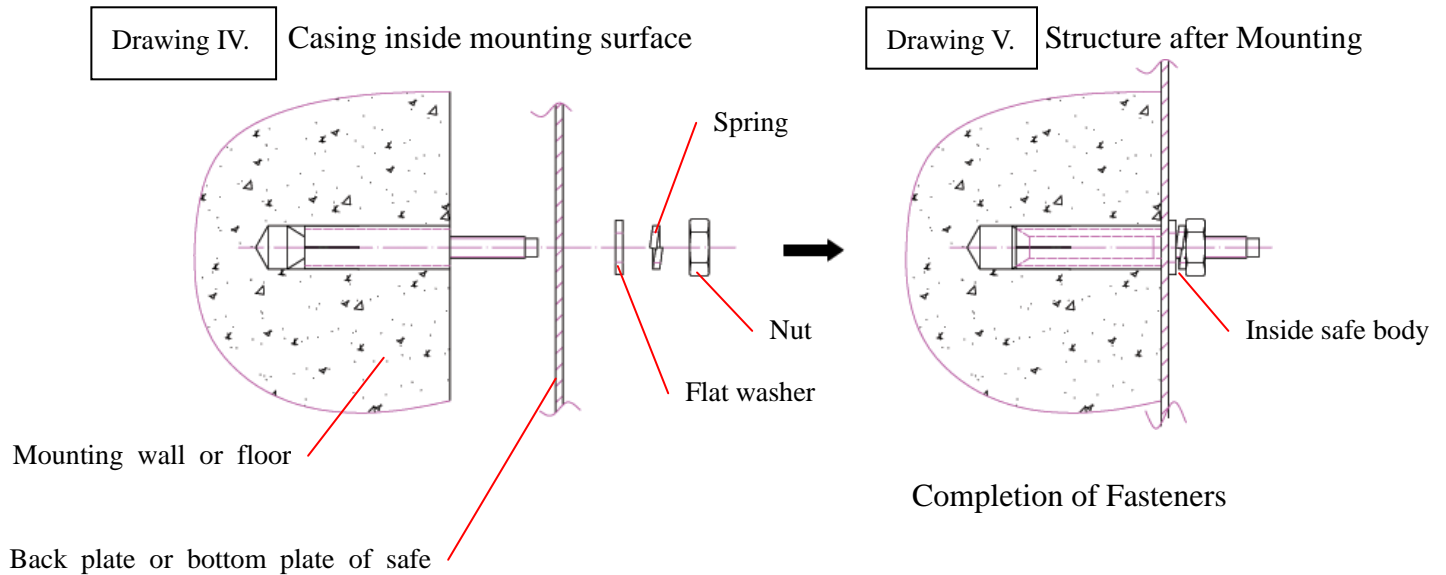
Open the door. Use a pair of needle-nose pliers to remove the spring ring on the upper hinge axle (see Drawing III). The door opens at an angle of over 75 degrees. Lift the door until it no longer moves upwards. Move the door to the left side, and remove it from the safe.



- 4.

Set the safe in place and use the holes provided in the bottom or back of the safe to mark the location of the holes to be drilled in the floor or wall.

5. Use a drill with a 12mm diameter drill bit to drill a 50mm deep hole. Put the screw and casing into the hole, and ensure that the casing is totally below the mounting surface (Drawing IV). Align the safe's bolt-down hole with the screw, ensure that the screw is through the safe body, and put the flat washer, spring washer and nut in place respectively, and fasten them with a wrench until tightened. Drawing V shows the structure after bolt-down.



For Customer Service: Call 888-673-9080 or Fax 417-673-9081

[service@americanfurnitureclassics.com](mailto:service@americanfurnitureclassics.com)