

TEC510C, TEC612
TEC612B, TEC612C
TEC714, TEC1020

Tech Tub™ Cart - 2 Tubs



Assembly Guide

TEC612_2015_B

Check out our other products online at
www.copernicused.com

For assistance, please contact us:

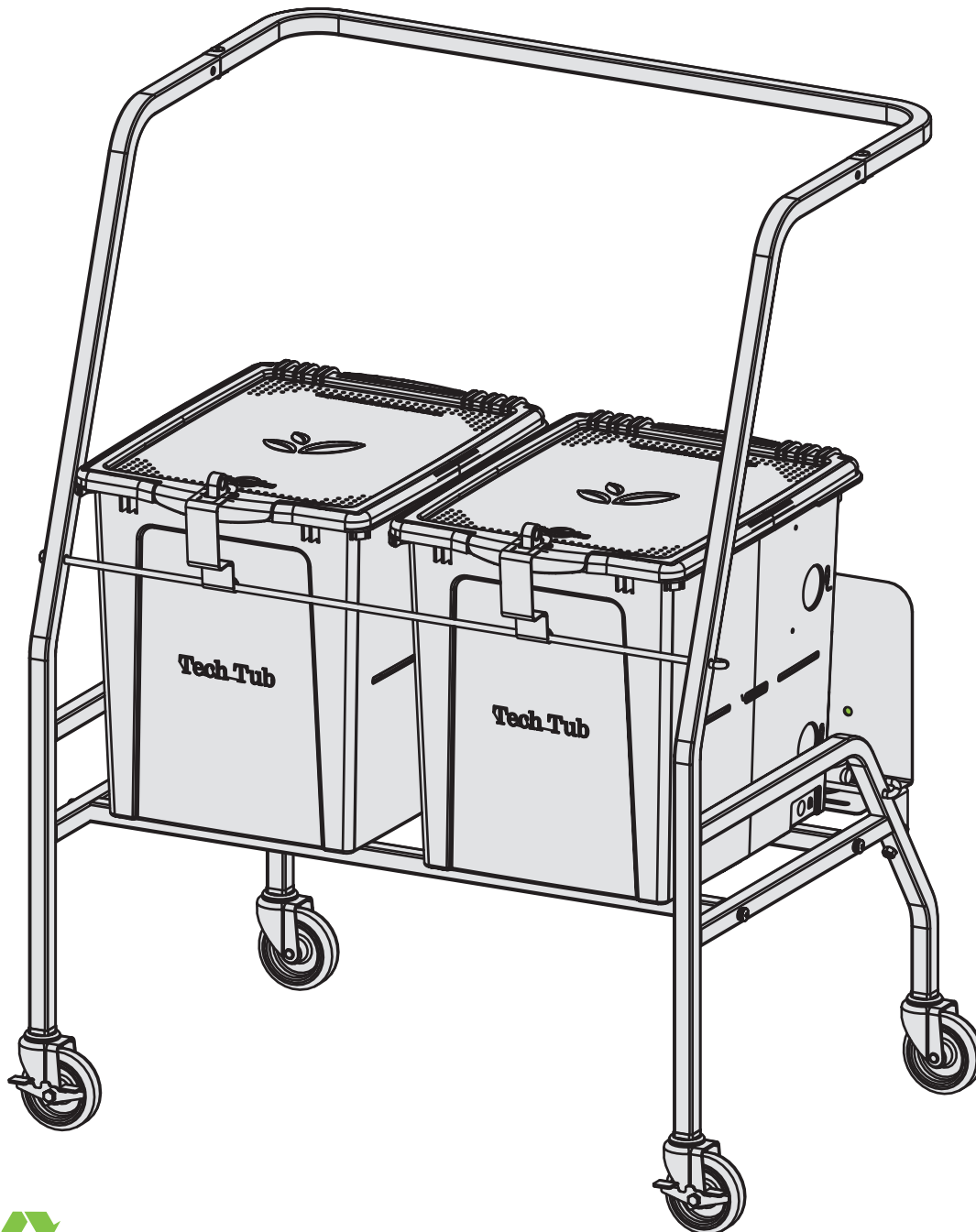
1-800-267-8494

Email info@copernicused.com

Have your packing slip ready for reference

WARNING !

- This product is meant to be assembled by an adult.
- In its unassembled state, small parts present a hazard.
- To be used under direct supervision of an adult.



**Need Support?
Have a Question?**



Email our Customer Support



Tech Tub™ Cart - 2 Tubs



Assembly Guide

TEC612_2015_B

Check out our other products online at
www.copernicused.com

For assistance, please contact us:

1-800-267-8494

Email info@copernicused.com

Have your packing slip ready for reference

Dear Educator,

Thank you for purchasing one of our products. I hope that the Tech Tub™ Cart is useful in your classroom.

If you have any questions, concerns, or ideas please contact us by telephone at 1-800-267-8494 or email at info@copernicused.com.

Enjoy using your new product and happy teaching.

Jim Phillips
Chief Cook and Bottle Washer



We do not inherit the earth
from our ancestors, we
borrow it from our children.

NORTH AMERICAN
PROVERB

Change is the end result of
all true learning.

LEO BUSCAGLIA

What you leave behind is
not what is engraved in
stone monuments, but
what is woven into the lives
of others.

PERICLES

Education is the most
powerful weapon which you
can use to change the world.

NELSON MANDELA

Customer Service - FAQ's

For missing parts and other issues regarding your Tech Tub™ & Tech Tub™ Cart:

*Please call Copernicus Customer Service, where we will be happy to help.
1-800-267-8494. Monday - Friday 8:30am - 4:30 pm EST.*

OR

Email our Tech Support Service at info@copernicused.com

**Need Tech Support?
Have a Question?**



Email our Tech Support Service



Validate Your Warranty

To validate your warranty, submit the ON-LINE form at www.copernicused.com
Enter a drawing to win a Copernicus Product for your classroom at the same time!





Warning! Hazard Risks!

Please read the warnings below for important safety information regarding your product. Failure to read these warnings or to follow the instructions below could result in personal injury or damage to your product that could void your warranty.



Small Parts

In its unassembled state, this product contains parts that can be hazardous to small children. This product should be assembled by an adult.



Adult Supervision

This product is to be used under the supervision of an adult.



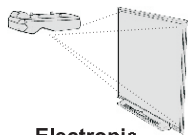
Indoor Use Only

This product is intended for indoor use only. To reduce the risk of fire or electric shock, do not expose this product to rain or moisture. The internal components are not sealed from the environment.



Power Strip Specifications

Read your power strip electrical specifications. Only plug in devices that are approved for use with this power strip. Connect the supplied power strip directly to a wall outlet. **Do not connect to another power strip or use an extension cord.** Unplug when not in use.



Electronic Equipment

Read the electrical specifications of any electronic equipment you are using with your Copernicus products. Failure to read these specifications and follow their instructions could result in damage to your equipment or personal injury.



Cable Trip Hazard

Ensure that any cables extending across the floor to your product are properly bundled and marked to avoid tripping or falling which may lead to personal injury.



Electrical Shock

Do not install or use the electrical components of this unit during a lightning storm.



Climb Hazard

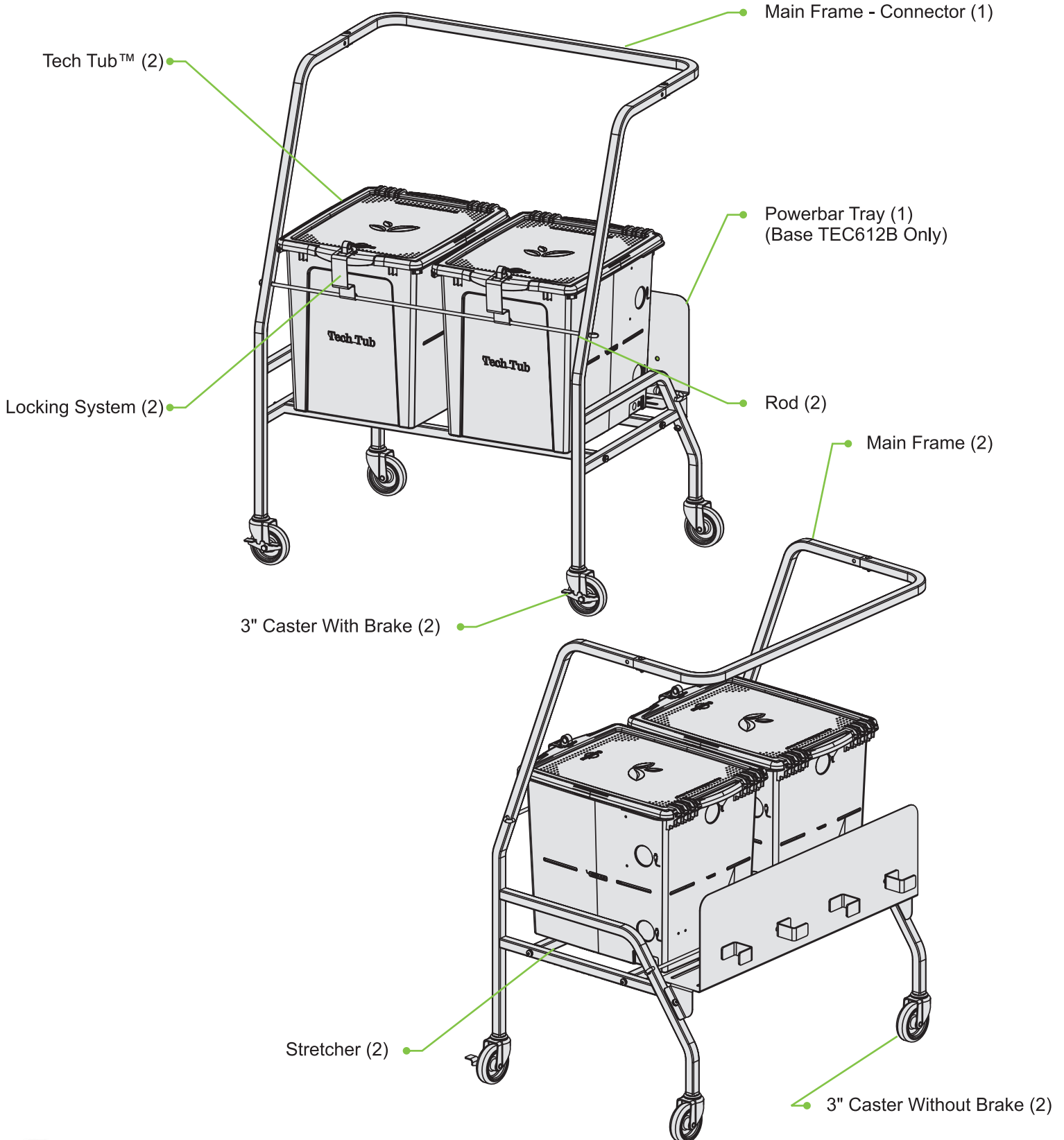
Do not climb on, hang from or suspend objects from any components of your product unless otherwise specified.



Tech Tub™ Cart - 2 Tubs



Please note that in its unassembled state, this product contains parts that can be hazardous to small children. This product should be assembled by an adult.



Tech Tub™ Cart - Parts

Before beginning, you should have:

Additional tools required:



OR 7/16 in



Rubber Mallet

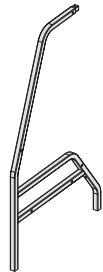


Screwdriver



Phillips #2

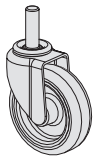
Contents - TEC2-0



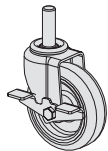
Main Frame
2x
(51084)



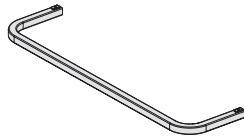
Rod
2x
(31080)



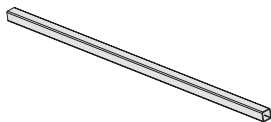
3" Caster
Without Brake
2x
(41004)



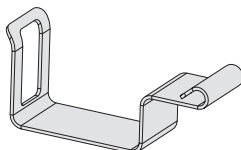
3" Caster
With Brake
2x
(41003)



Main Frame
- Connector
1x
(330801)



Stretcher
2x
(33081)



Locking System
2x
(34040)



Hardware Actual Size

(A) 10-24" x 7/8"
Machine Screw
(430137)
2x



(B) 1/4" x 1-3/4" Bolt
(43007)
4x



(C) 1/4" Lock Washer
(43010)
4x

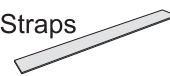


(D) 1/4" Lock Nut
(430101)
2x



Contents - TEC-AC32050 (Comes with TEC612B)

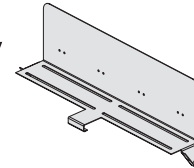
Hook & Loop Straps
2x



Cable Ties
4x



Powerbar Tray
1x
(32050)



Hardware Actual Size

(E) 1/4" x 1-1/4" Bolt
(43005)
2x



(F) 1/4" Lock Nut
(430101)
2x

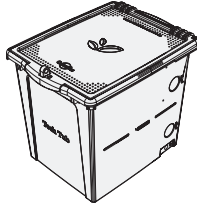


Tech Tub™ Cart - Parts

Before beginning, you should have:

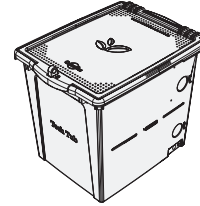
Contents - TEC57
(Comes with TEC612B)

Tech Tub™ - Base
(TEC57)
2x



Contents - TEC500C
(Comes with TEC510C)

Tech Tub™ - Premium 5
Chromebooks (TEC500C)
2x

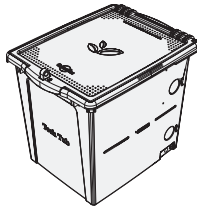


OR

OR

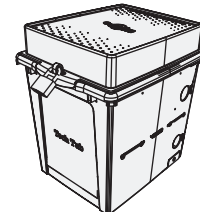
Contents - TEC600
(Comes with TEC612)

Tech Tub™ - Premium
(TEC600)
2x



Contents - TEC600C
(Comes with TEC612C)

Tech Tub™ - Premium 6
Chromebooks (TEC600C)
2x



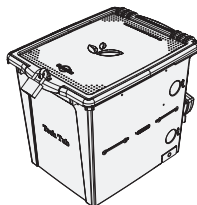
Coming
Summer 2015!

OR

OR

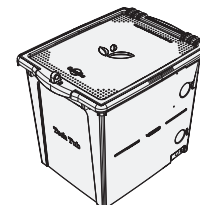
Contents - TEC700
(Comes with TEC714)

Tech Tub™ - Premium 7
Device (TEC700)
2x



Contents - TEC1000
(Comes with TEC1020)

Tech Tub™ - Premium 10 Device
(TEC1000)
2x



Coming
Summer 2015!



Tips for Assembly

Watch for These Helpful Symbols

This symbol denotes a 2- or 3- Person Task. For safety, please ensure that there are the suggested number of people working on steps displaying this symbol.



Watch for this symbol throughout the Assembly Guide. Wherever you see it, pay close attention. The symbol denotes a step needing extra attention to ensure it is done correctly.



The star symbol highlights an advisory note.



Before You Begin

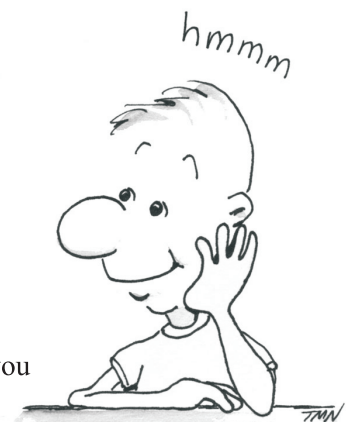
- Lay out and identify all of the included parts.
- The hardware has been packed according to step.
- Read the assembly guide over once to familiarize yourself with them.



! Please note that in its unassembled state, this product contains parts that can be hazardous to small children. This product should be assembled by an adult.

As You Assemble the Unit

- Follow the steps in sequence.
- Before beginning each step, find the part(s) that you need for that step.
- Pay attention to the labels on the parts; they are there to help direct you at certain stages.
- The title of each step states what you will be doing. Review the text and the pictures as you build the unit.



WARNING

NEVER PLUG THIS OR ANY OTHER POWER STRIP INTO ANOTHER POWER STRIP



Some of the models of this product include kits that feature the Tech Tub™. The Premium Tech Tub™ models include a power strip for charging various electronic devices. This warning applies to this component and any other electronic equipment used with this product.

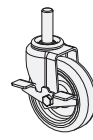
1

Actual Size:

You will need: (Not to Scale)



3" Caster Without Brake
2x



3" Caster With Brake
2x



Main Frame
2x

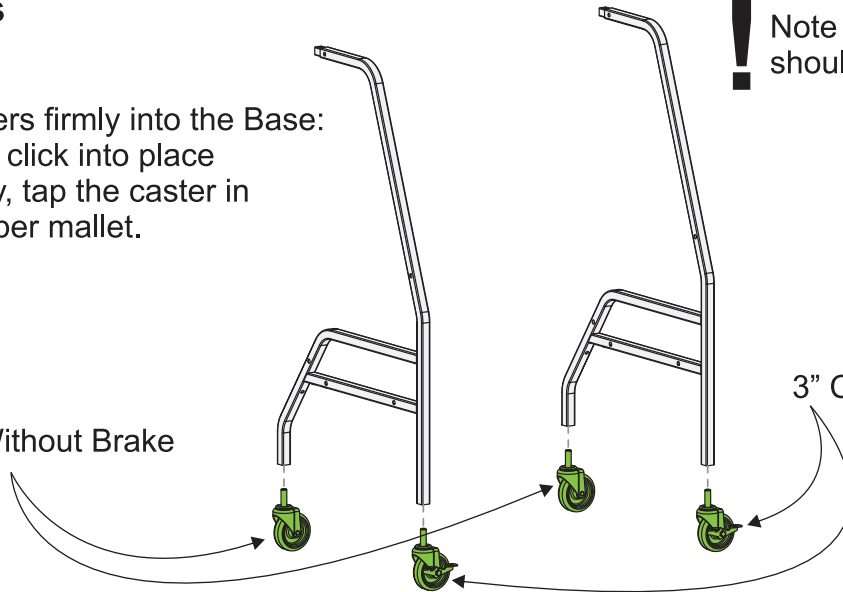
Install the Casters



Press Casters firmly into the Base:
Casters will click into place
If necessary, tap the caster in
using a rubber mallet.

! Note casters with brakes
should be on the front

3" Casters Without Brake



3" Casters With Brake

2

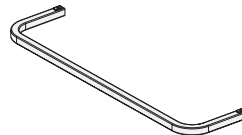
Actual Size:



(A)

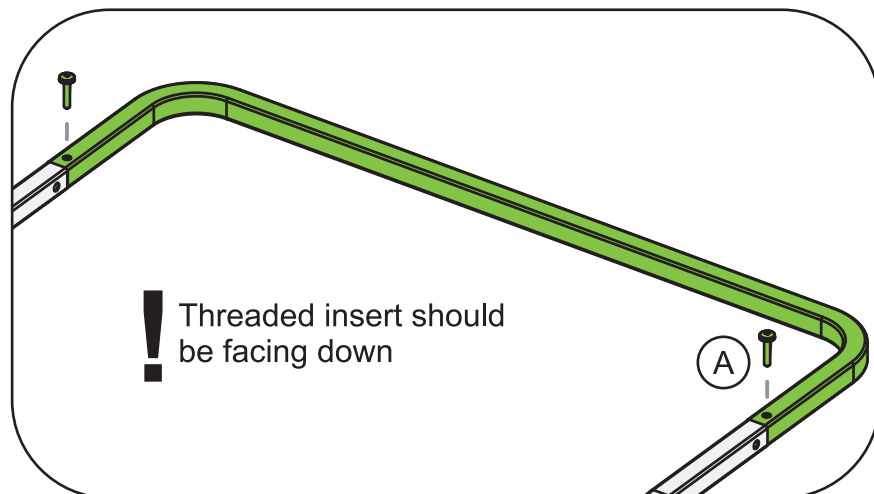
10-24" x 7/8" Machine Screw
2x

You will need: (Not to Scale)



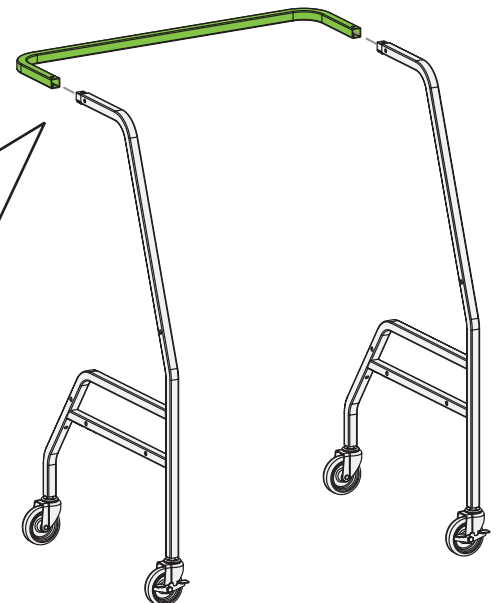
Main Frame - Connector
1x

Install the Main Frame - Connector



! Threaded insert should
be facing down

(A)



3

Actual Size:



(B)

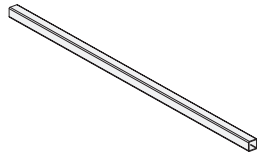
1/4" x 1-3/4" Bolt
4x



(C)

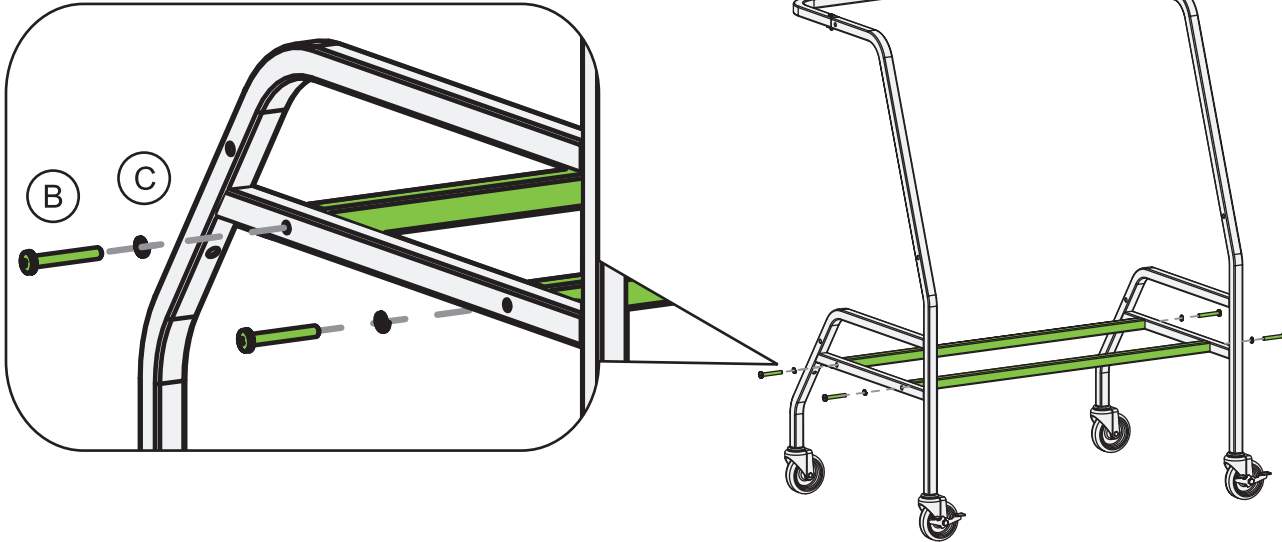
1/4" Lock Washer
4x

You will need: (Not to Scale)



Stretcher
2x

Install the Stretchers to the Main Frame



! Follow Step 4 if you are installing a Powerbar Tray. (TEC510B)

4

Actual Size:



(E)

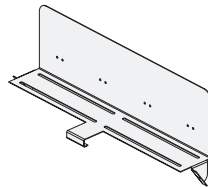
1/4" x 1-1/4" Bolt
2x



(F)

1/4" Lock Nut
2x

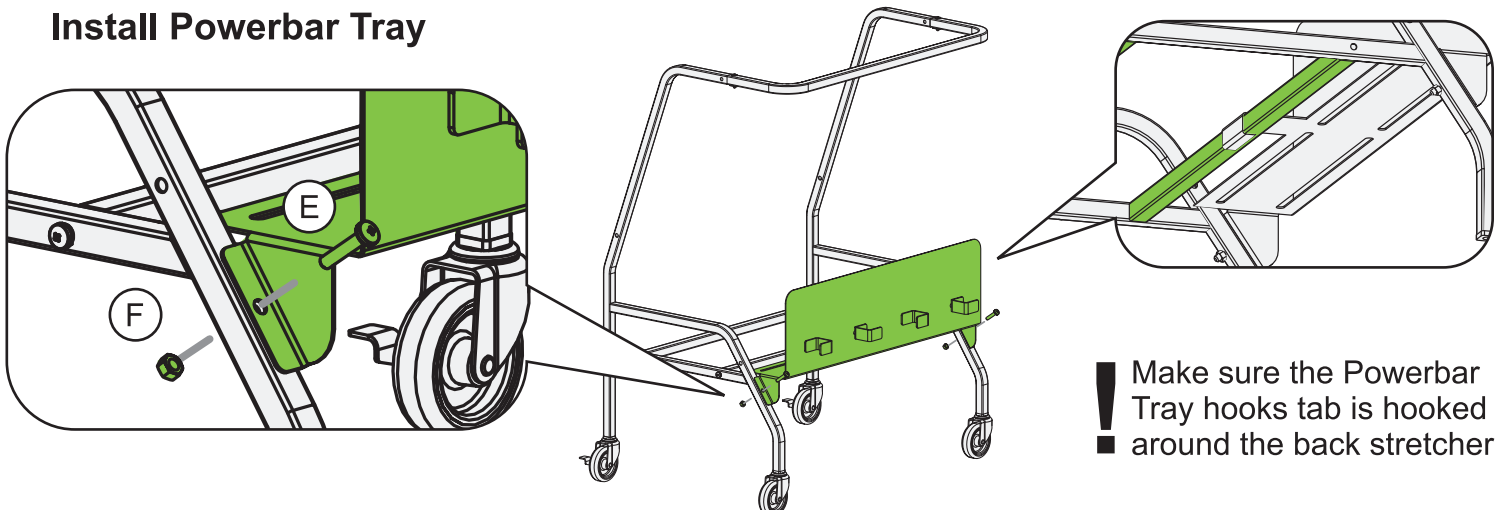
You will need: (Not to Scale)



Powerbar Tray
1x

TEC612B

Install Powerbar Tray



! Make sure the Powerbar Tray hooks tab is hooked around the back stretcher



5

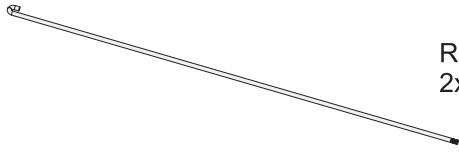
Actual Size:



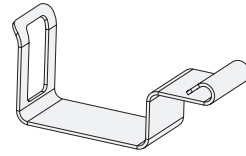
(D)

1/4" Lock Nut
2x

You will need: (Not to Scale)

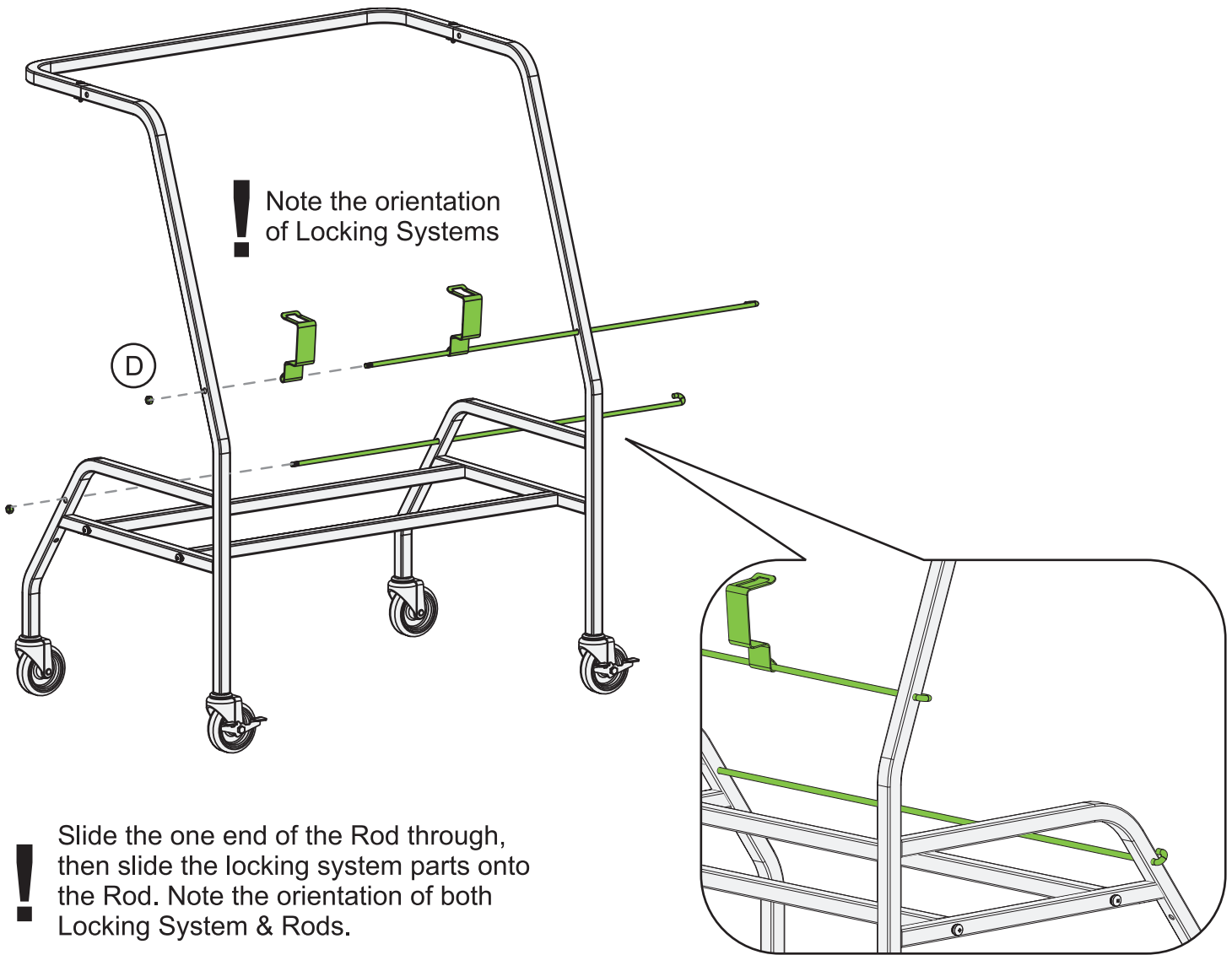


Rod
2x



Locking System
2x

Installing the Rod and Locking System



STOP - YOU MUST ASSEMBLE THE TECH TUBS NOW
 Follow your Tech Tub™ instructions before moving on to Step 6 of this guide.



6A

You will need: (Not to Scale)

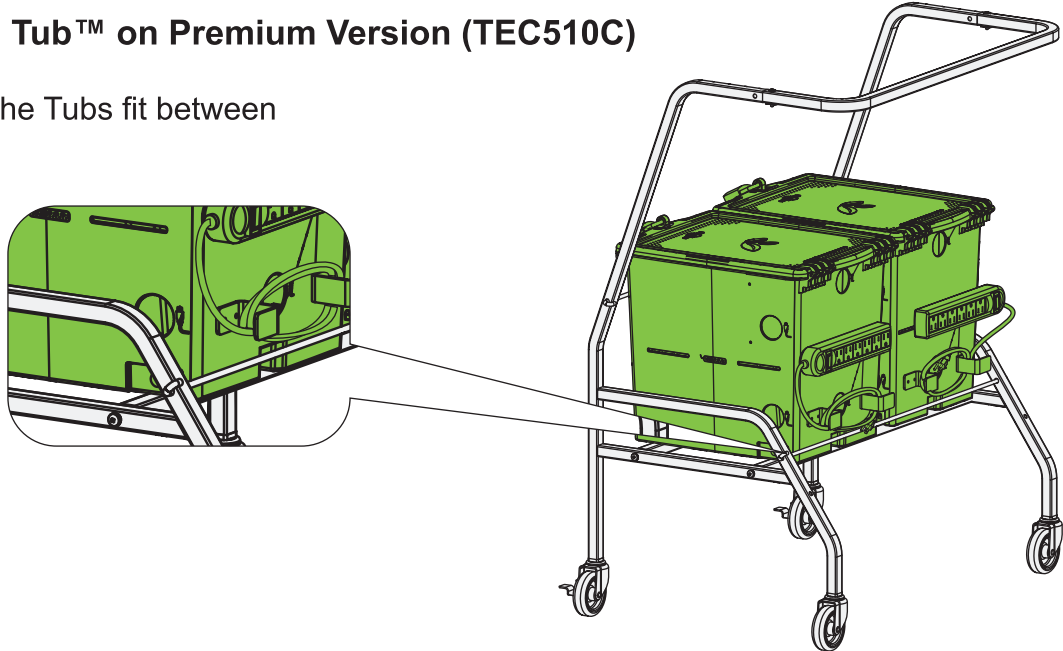
TEC510C



TEC510C
Tech Tub™ - Base
(TEC500C)
2x

Positioning Tech Tub™ on Premium Version (TEC510C)

! Make sure the Tubs fit between the Rods.



6B

You will need: (Not to Scale)

TEC612
TEC612C
TEC1020



TEC612
Tech Tub™
Premium
(TEC600)
2x

OR



TEC612C
Tech Tub™
Premium 6
Chromebooks
(TEC600C)
2x

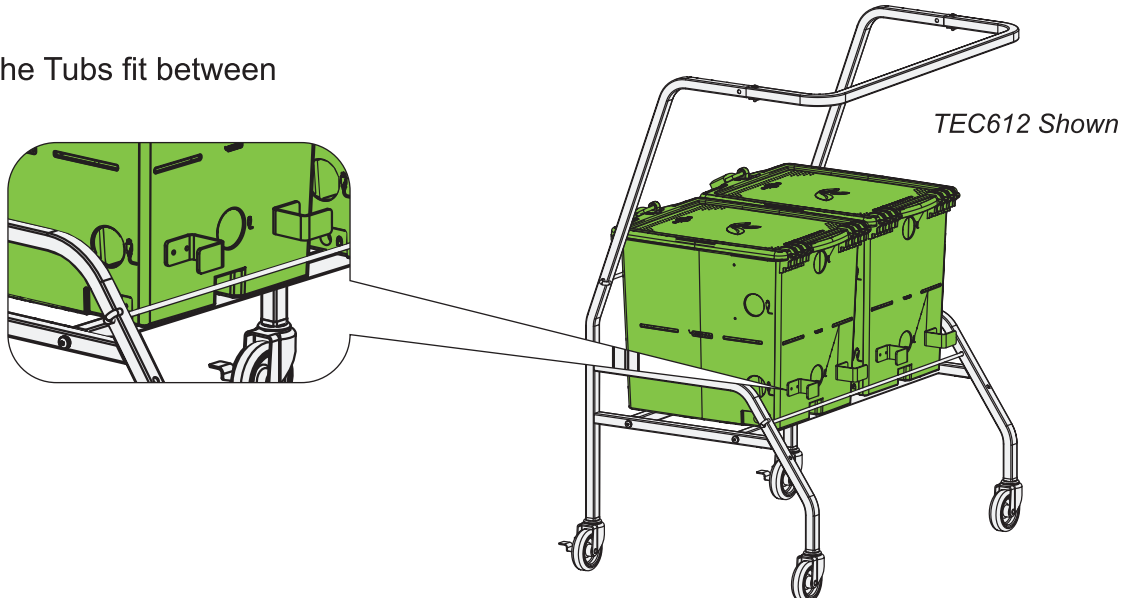
OR



TEC1020
Tech Tub™
Premium 10 Devices
(TEC1000)
2x

Positioning Tech Tub™ on Premium Version (TEC612 OR TEC612C OR TEC1020)

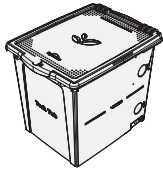
! Make sure the Tubs fit between the Rods.



6C

You will need: (Not to Scale)

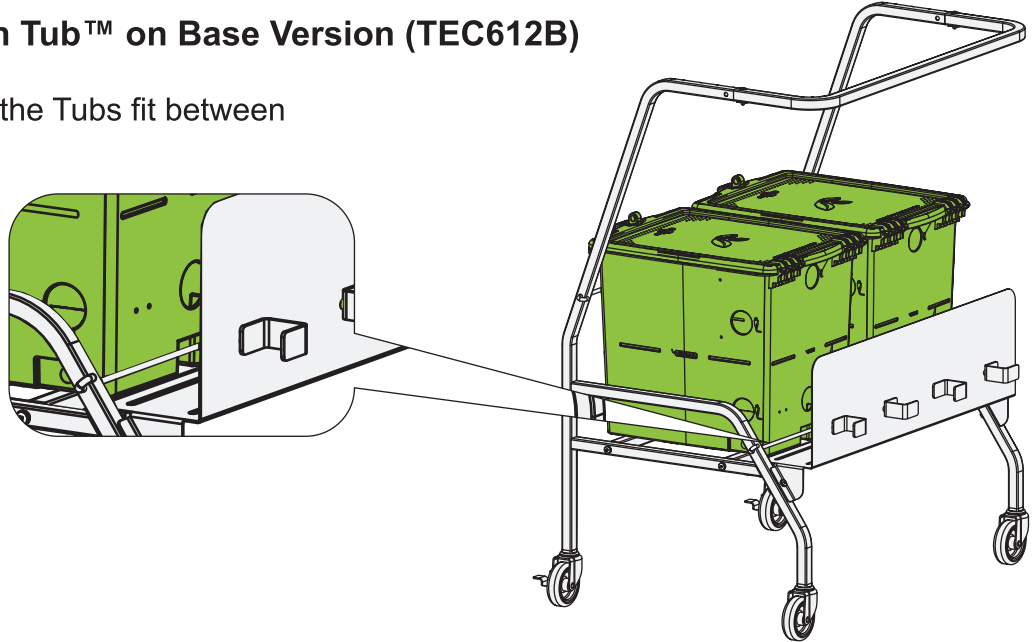
TEC612B



TEC612B
Tech Tub™ - Base
(TEC57)
2x

Positioning Tech Tub™ on Base Version (TEC612B)

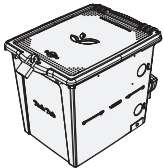
! Make sure the Tubs fit between the Rods.



6D

You will need: (Not to Scale)

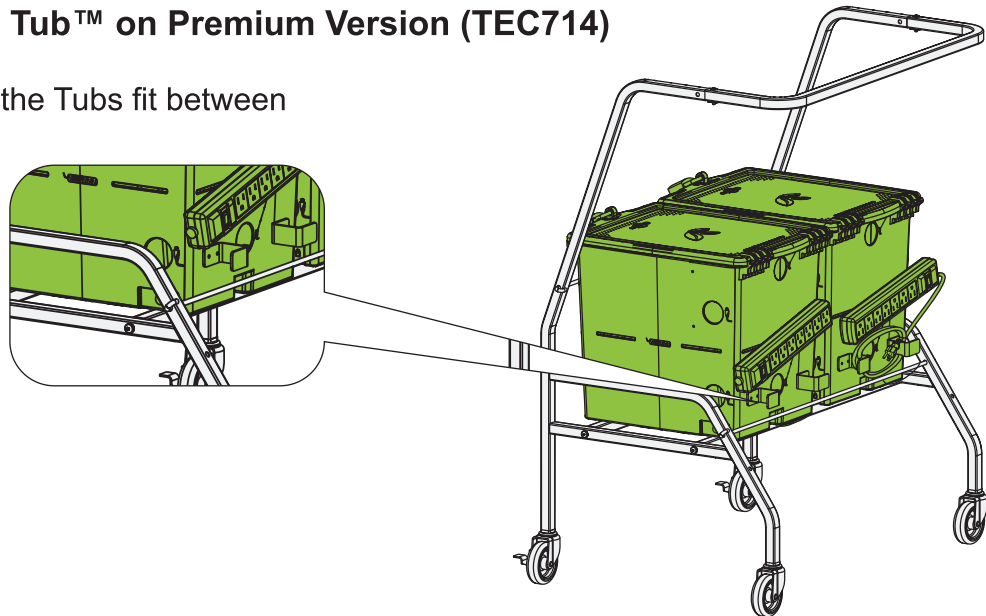
TEC714



TEC714
Tech Tub™ - Premium 7
Device (TEC700)
2x

Positioning Tech Tub™ on Premium Version (TEC714)

! Make sure the Tubs fit between the Rods.





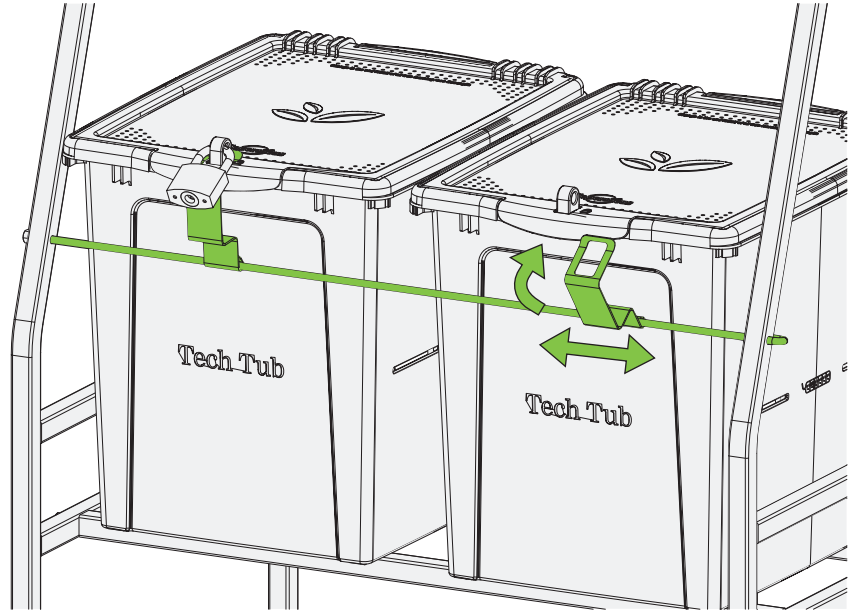
Tips for Use

How to lock Tech Tub™

You can slide the Locking System on the Rod to fit them over the Tech Tub™ Lock Hump.

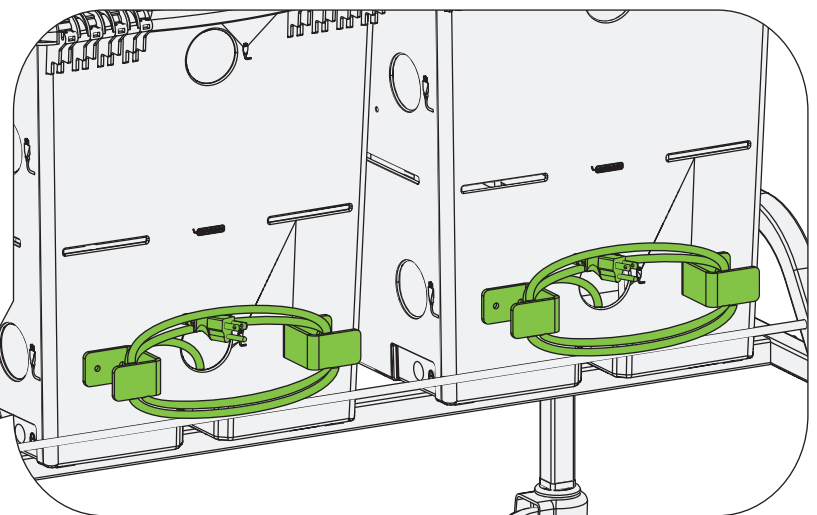
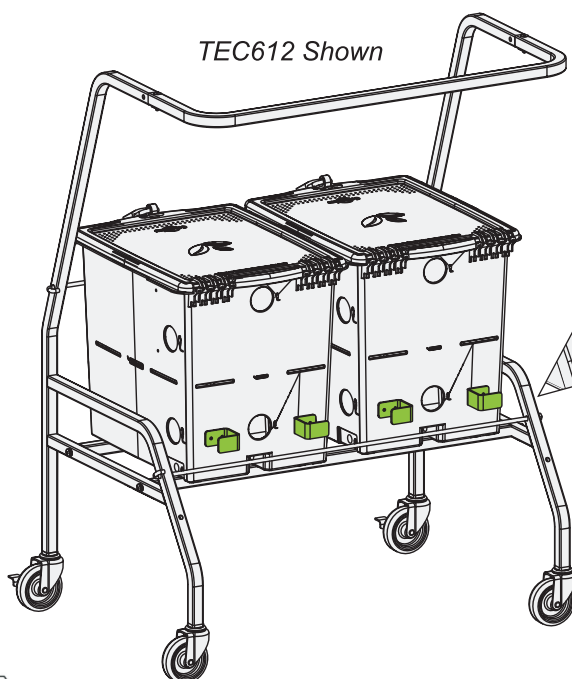
! You need a padlock to lock the Tech Tub™ to the Cart

Move the Locking System to line up with the Lock Hump and then snap the Locking System over the Hump & lock.



TEC612, TEC612C, TEC1020

Use the cable hooks on the Tech Tub™ to manage the Power Strip cords.



ALWAYS Wrap Cords when not in use & when transporting.

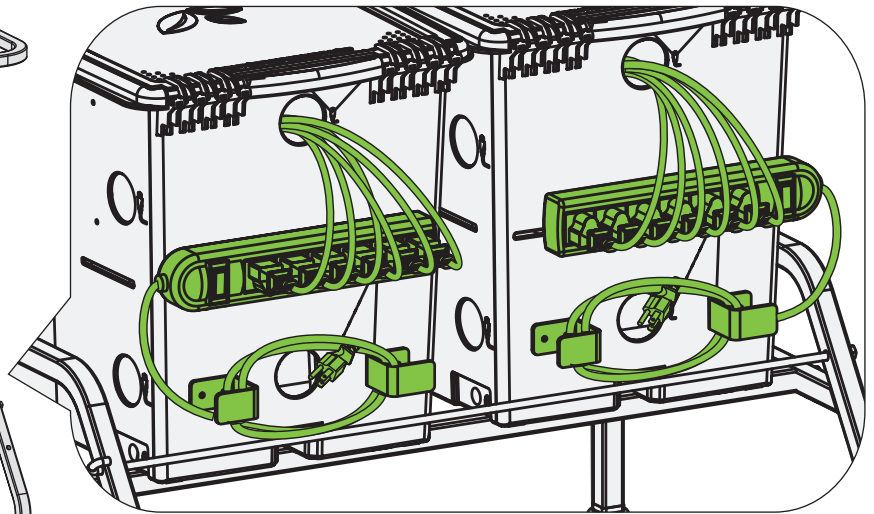




Tips for Use

TEC510C - Cable Management

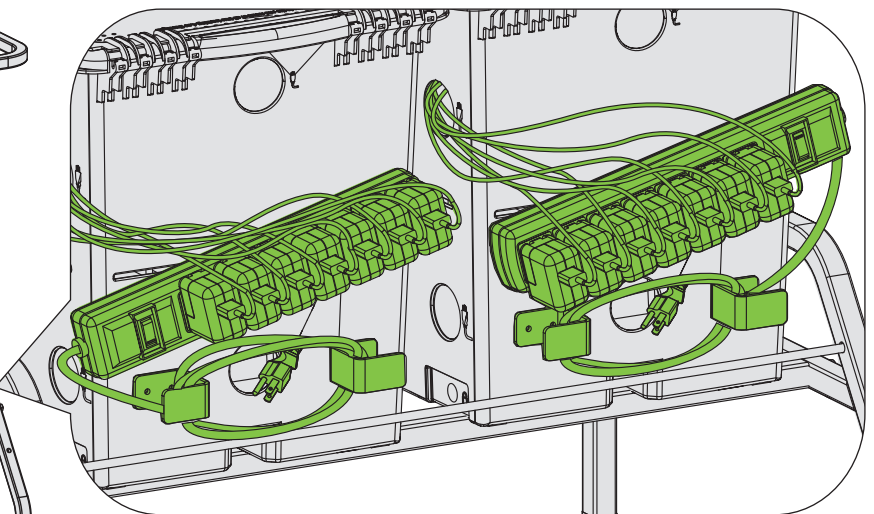
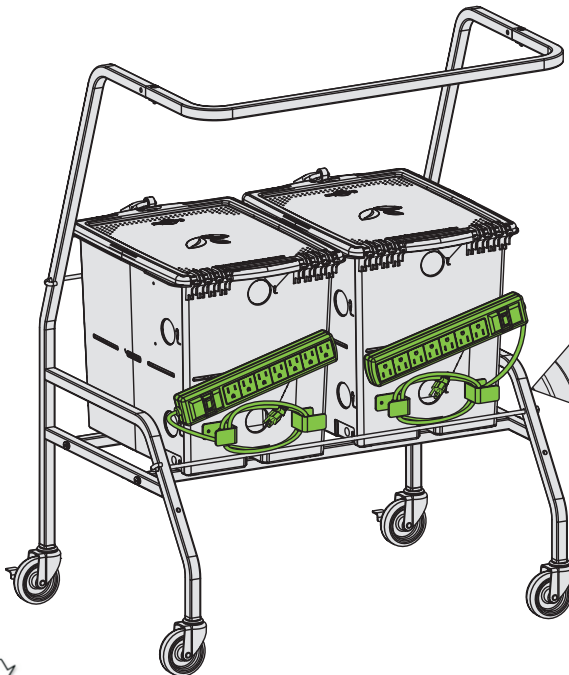
Use the cable hooks on the Tech Tub™ to manage the Power Strip cords. Use the provided holes on the Tech Tub™ to feed adaptor cords through.



ALWAYS Wrap Cords when not in use & when transporting.

TEC714 - Cable Management

Use the cable hooks on the Tech Tub™ to manage the Power Strip cords. Use the provided holes on the Tech Tub™ to feed adaptor cords through.



ALWAYS Wrap Cords when not in use & when transporting.

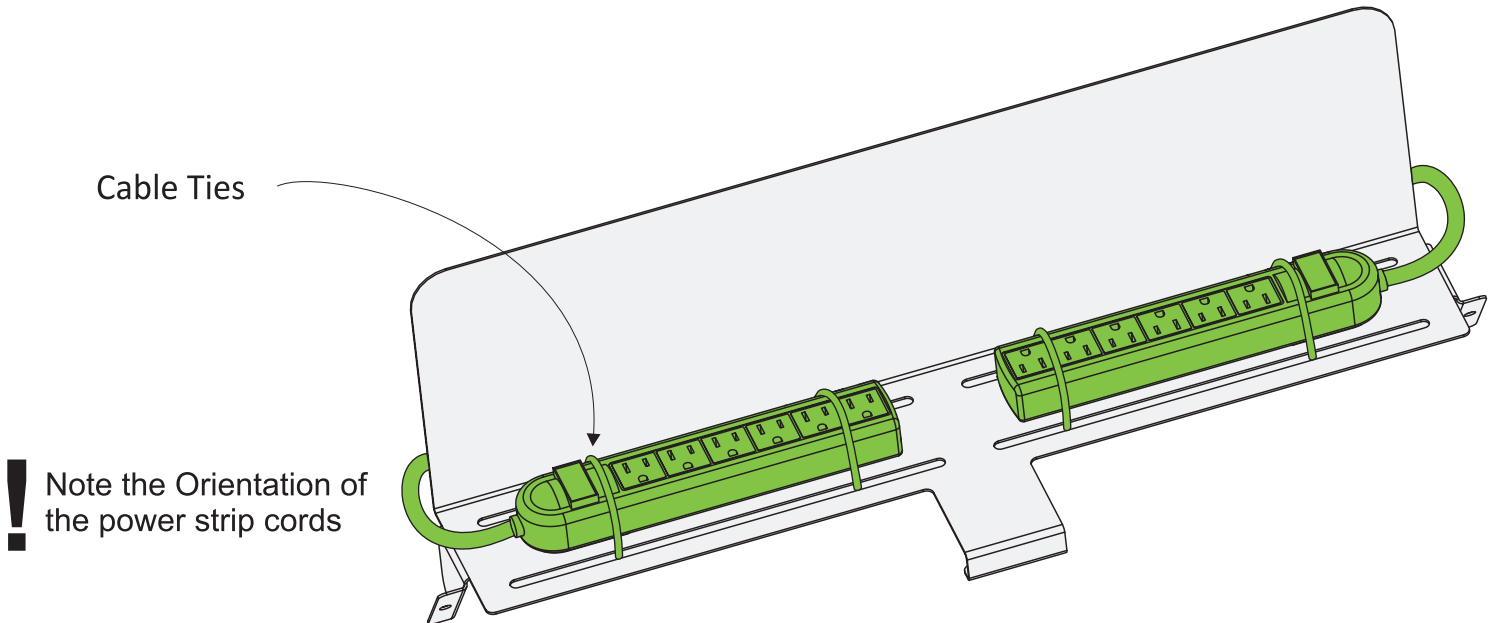




Tips for Use

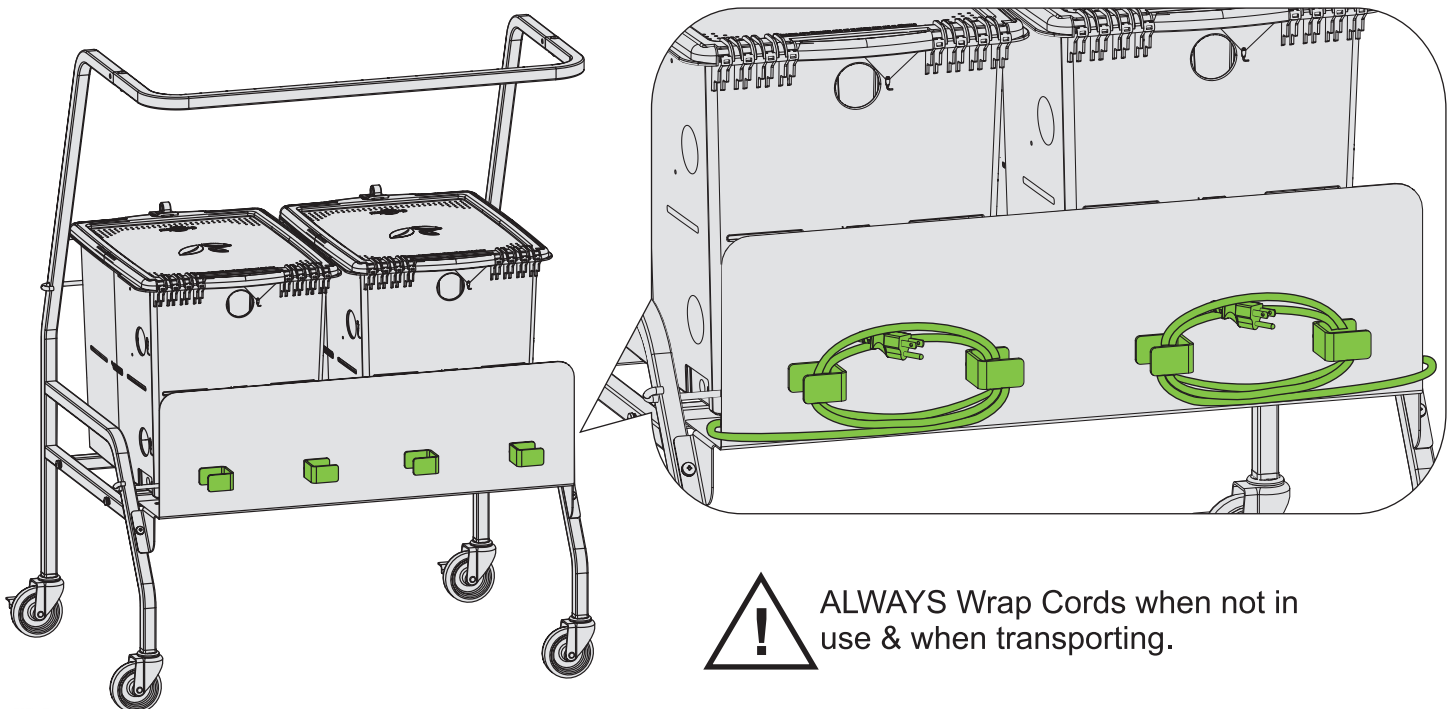
TEC612B - Power Strip Installation

Use the slots on the Powerbar Tray and cable ties to hold your power strip in position.



TEC612B - Cable Management

Use the cable hooks on the Tech Tub™ Cart Powerbar Tray to manage the Power Strip cords.

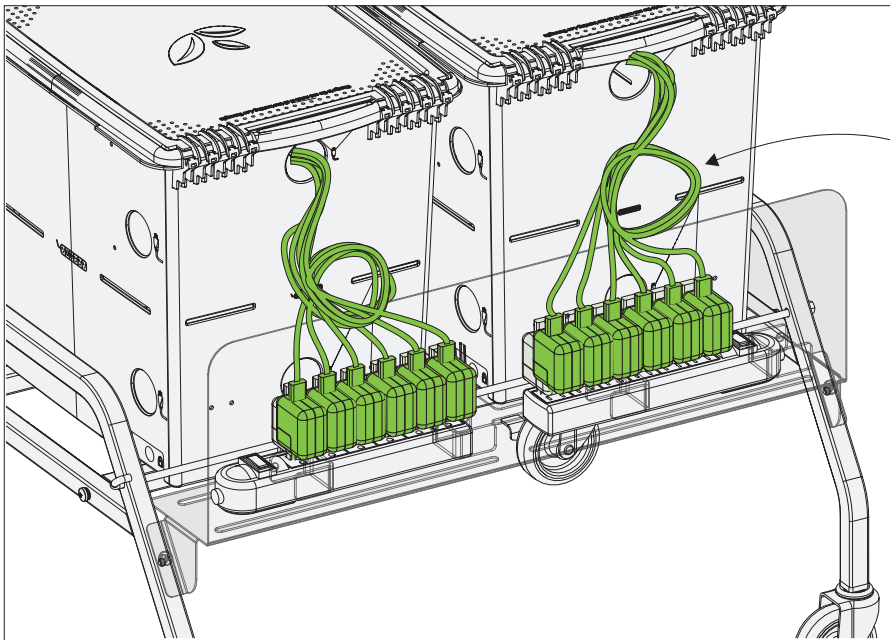




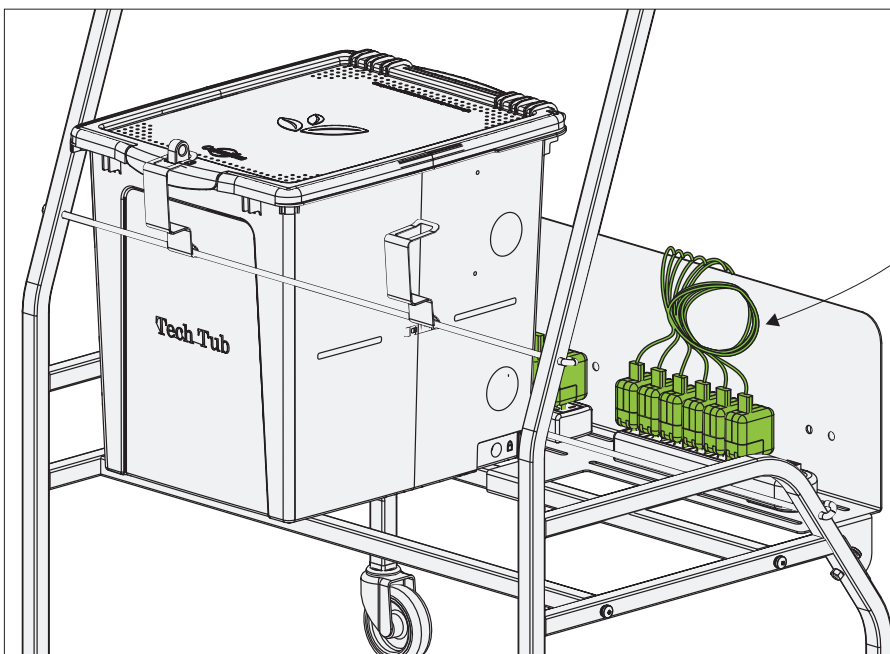
Tips for Use

TEC612B - Cable Management

Tie the device cables together and feed them through the hole in the back. Make sure to remove the cables from the Tub before removing the Tech Tub™ from the Cart.



Tie Cables together with Hook & Loop Straps.



When Tub is removed, Hang the cables from the Powerbar Tray. Make sure the cables are not touching the floor.

! When placing the Tub back into the Cart, make sure the Tub is not sitting on the cables.

