

TEC57

Tech Tub™ - Base



Assembly Guide TEC57_2014_A

Check out our other products online at
www.copernicused.com

For assistance, please contact us:

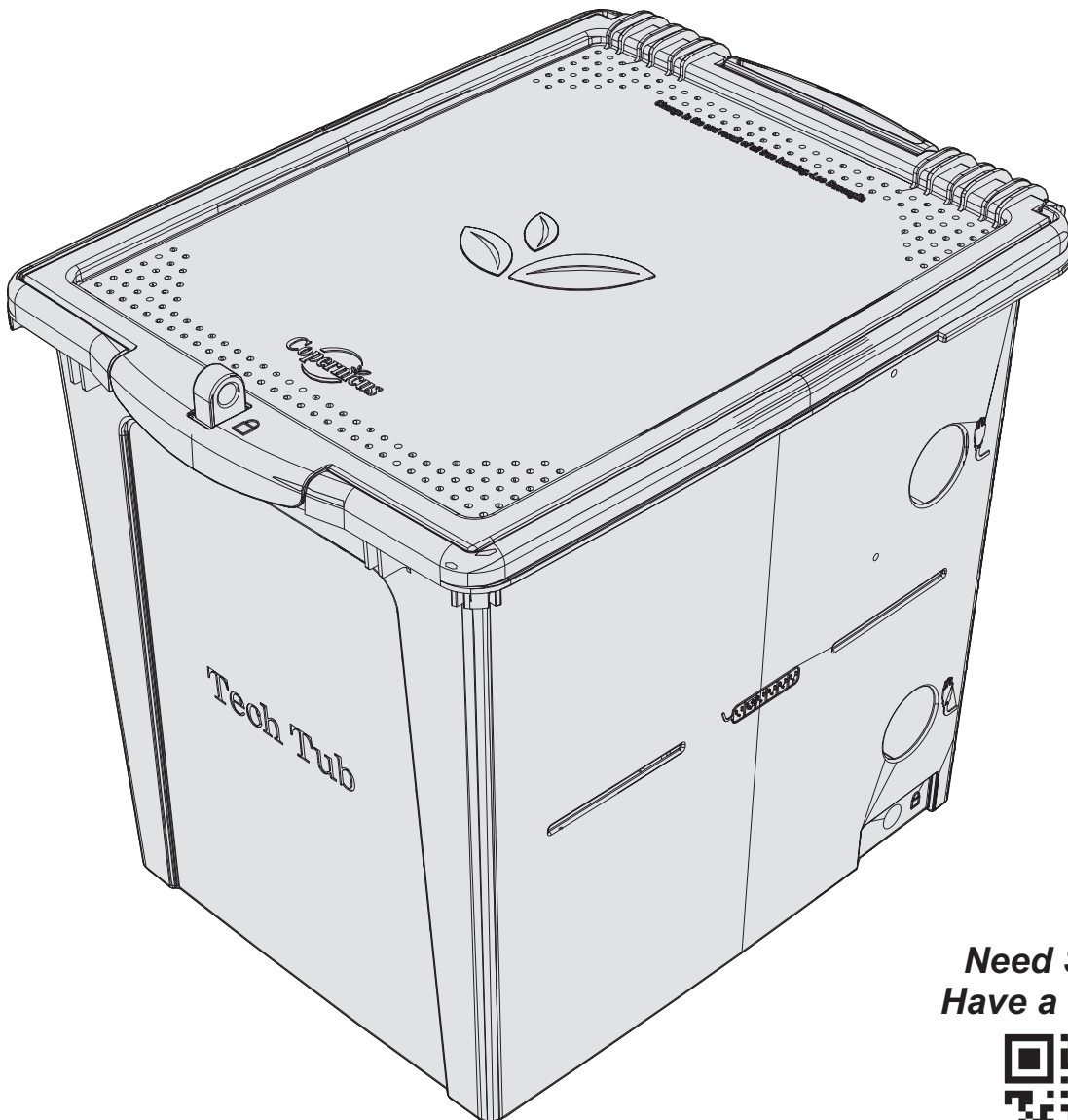
1-800-267-8494

Email info@copernicused.com

Have your packing slip ready for reference

WARNING !

- This product is meant to be assembled by an adult.
- In its unassembled state, small parts present a hazard.
- To be used under direct supervision of an adult.



**Need Support?
Have a Question?**



Email our Customer Support



Please Recycle

Tech Tub™ - Base



Assembly Guide TEC57_2013_B

Check out our other products online at
www.copernicused.com

For assistance, please contact us:

1-800-267-8494

Email info@copernicused.com

Have your packing slip ready for reference

Dear Educator,

Thank you for purchasing one of our products. I hope the assembly of your Tech Tub™ went well.

If you have any questions, or concerns, or ideas for how we can improve, please call us at 1-800-267-8494, where someone will be happy to help.

Enjoy using your new product, and happy teaching,

Jim Phillips
President

We do not inherit the earth
from our ancestors, we
borrow it from our children.

NORTH AMERICAN
PROVERB

Change is the end result of
all true learning.

LEO BUSCAGLIA

What you leave behind is
not what is engraved in
stone monuments, but
what is woven into the lives
of others.

PERICLES

Education is the most
powerful weapon which you
can use to change the world.

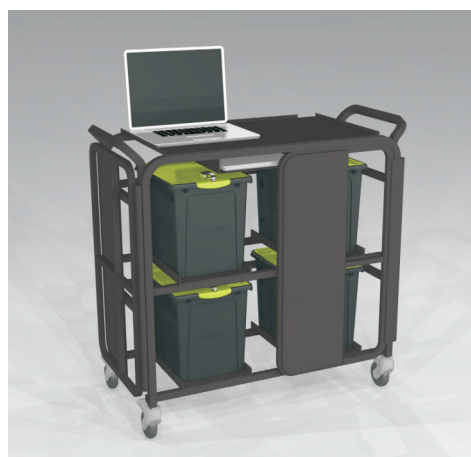
NELSON MANDELA

Tech Tub™ Carts

For additional storage and mobility, check out our line of Tech Tub™ Carts!



Stores 2 Tech Tub™s



Stores 4 Tech Tub™s





Warning! Hazard Risks!

Please read the warnings below for important safety information regarding your product. Failure to read these warnings or to follow the instructions below could result in personal injury or damage to your product that could void your warranty.



Small Parts

In its unassembled state, this product contains parts that can be hazardous to small children. This product should be assembled by an adult.



Adult Supervision

This product is to be used under the supervision of an adult.



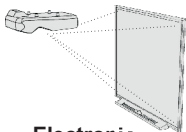
Indoor Use Only

This product is intended for indoor use only. To reduce the risk of fire or electric shock, do not expose this product to rain or moisture. The internal components are not sealed from the environment.



Power Strip Specifications

Read your power strip's electrical specifications. Only plug in devices that are approved for use with this power strip. Connect the supplied power strip directly to a wall outlet. **The socket-outlet shall be installed near the equipment and shall be easily accessible.** Do not connect to another power strip or use an extension cord. Unplug when not in use.



Electronic Equipment

Read the electrical specifications of any electronic equipment you are using with your Copernicus products. Failure to read these specifications and follow their instructions could result in damage to your equipment or personal injury.



Cable Trip Hazard

Ensure that any cables extending across the floor to your product are properly bundled and marked to avoid tripping or falling which may lead to personal injury.



Electrical Shock

Do not install or use the electrical components of this unit during a lightening storm.



Climb Hazard

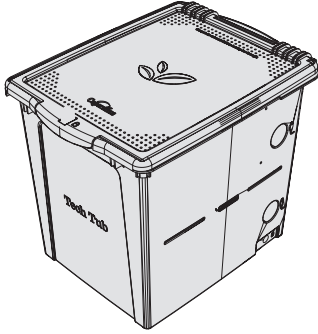
Do not climb on, hang from or suspend objects from any components of your product unless otherwise specified.



Tech Tub™ - Base Parts

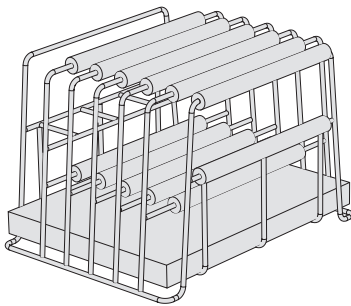
Before beginning, you should have:

Contents - TEC57



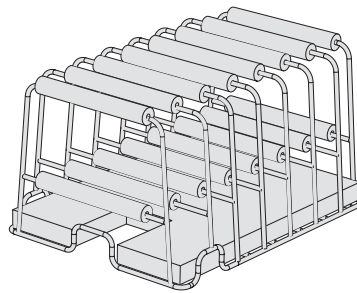
Tech Tub
1x

Add-ons



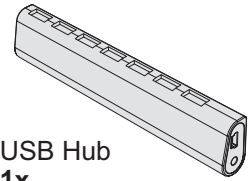
Chromebook Holder
1x
(Optional)

Add-ons

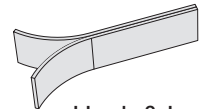


7-Device Holder
1x
(Optional)

Add-ons



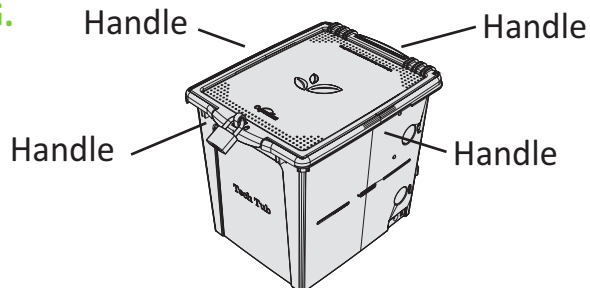
USB Hub
1x
(Optional)



Hook & Loop
Strap
1x
(Optional)

Carrying your Tech Tub™

USE THE HANDLES ALONG THE SIDES OF THE TECH TUB™ FOR EASY LIFTING AND CARRYING.



Tips for Assembly

Watch for These Helpful Symbols

This symbol denotes a 2- or 3- Person Task. For safety, please ensure that there are the suggested number of people working on steps displaying this symbol.



Watch for this symbol throughout the Assembly Guide. Wherever you see it, pay close attention. The symbol denotes a step needing extra attention to ensure it is done correctly.



The star symbol highlights an advisory note.



Before You Begin

- Lay out and identify all of the included parts.
- The hardware has been packed according to step.
- Read the assembly guide over once to familiarize yourself with them.

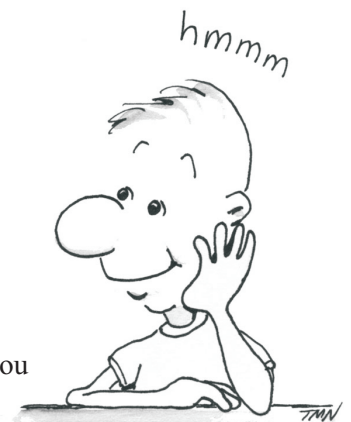


Please note that in its unassembled state, this product contains parts that can be hazardous to small children. This product should be assembled by an adult.



As You Assemble the Unit

- Follow the steps in sequence.
- Before beginning each step, find the part(s) that you need for that step.
- Pay attention to the labels on the parts; they are there to help direct you at certain stages.
- The title of each step states what you will be doing. Review the text and the pictures as you build the unit.



Customer Service - FAQ's



For missing parts and other issues regarding your Tech Tub:

Please call Copernicus Customer Service, where we will be happy to help.
1-800-267-8494. Monday - Friday 8:30am - 4:30 pm EST.

OR

Email our Tech Support Service at vanessa@copernicused.com

Need Tech Support? Have a Question?



Email our Tech Support Service



Validate Your Warranty

To validate your warranty, submit the ON-LINE form at www.copernicused.com
Enter a drawing to win a Copernicus Product for your classroom at the same time!



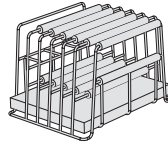
1

Actual Size:

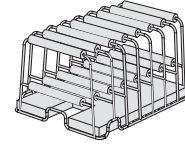
You will need: (Not to Scale)



Tech Tub
1x

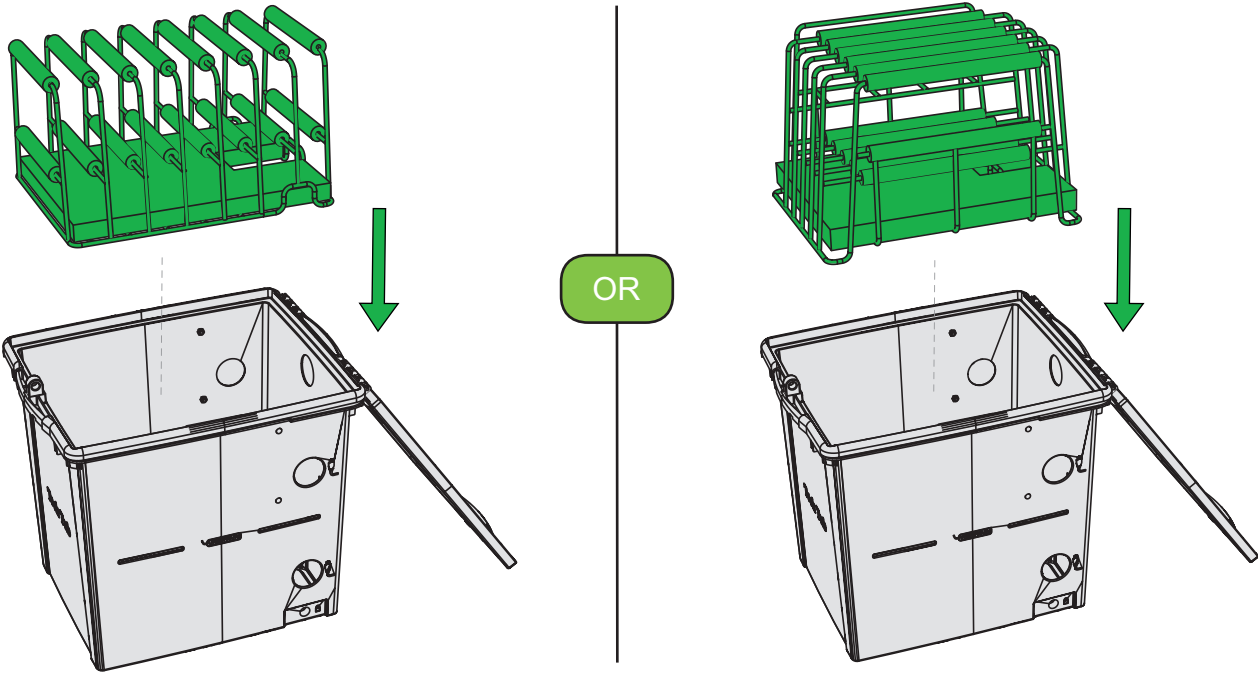


Chromebook
Holder (Optional)
1x



7-Device
Holder (Optional)
1x

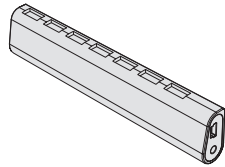
Insert 7-Device or Chromebook Holders



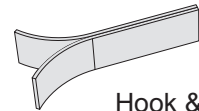
2

Actual Size:

You will need: (Not to Scale)



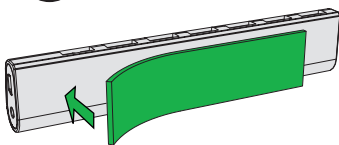
USB Hub (Optional)
1x



Hook & Loop
Strap (Optional)
1x

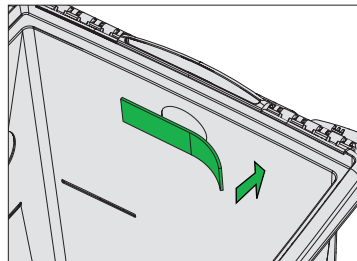
Install USB Hub

1



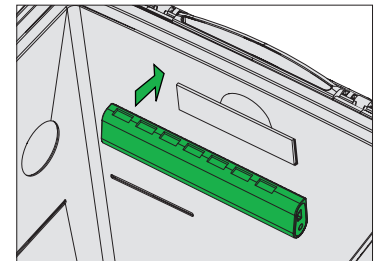
Apply first piece of Hook & Loop Strap to the back of the USB hub.

2



Apply second piece of Hook & Loop Strap to the inside rear face of the Tech Tub.

3



Attach the USB Hub to the Tech Tub by aligning the two pieces.

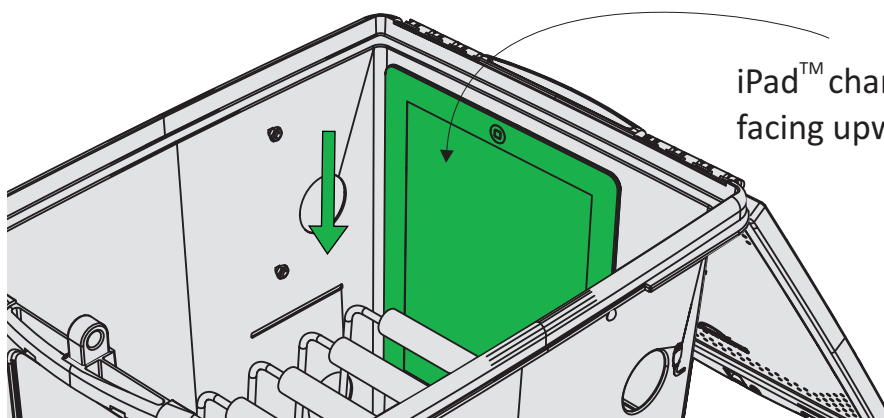




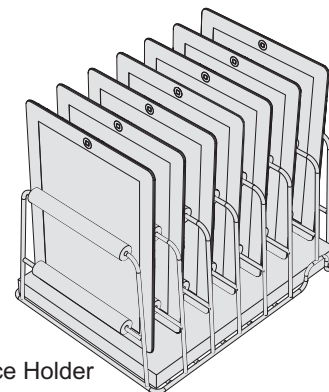
Tips for Use

How to insert your device

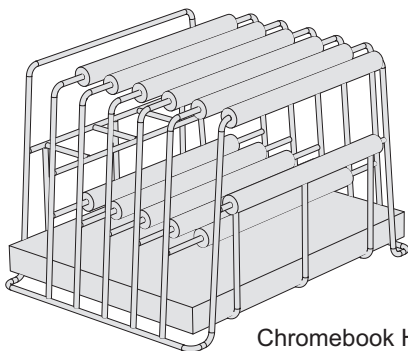
ENSURE THE DEVICE'S CHARGING PORTS ARE EASILY ACCESSIBLE WHEN LOADING.



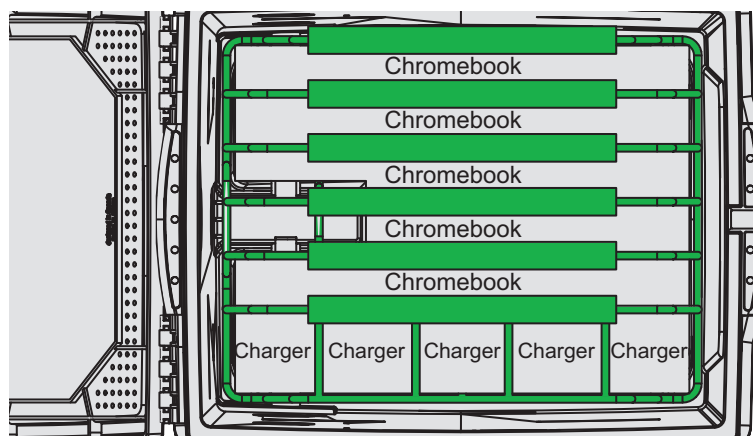
iPad™ charging port facing upwards



7-Device Holder

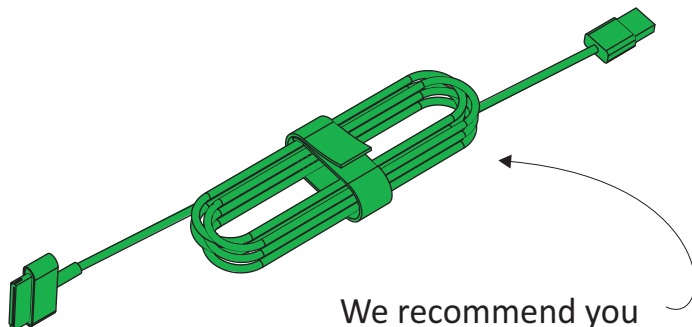


Chromebook Holder

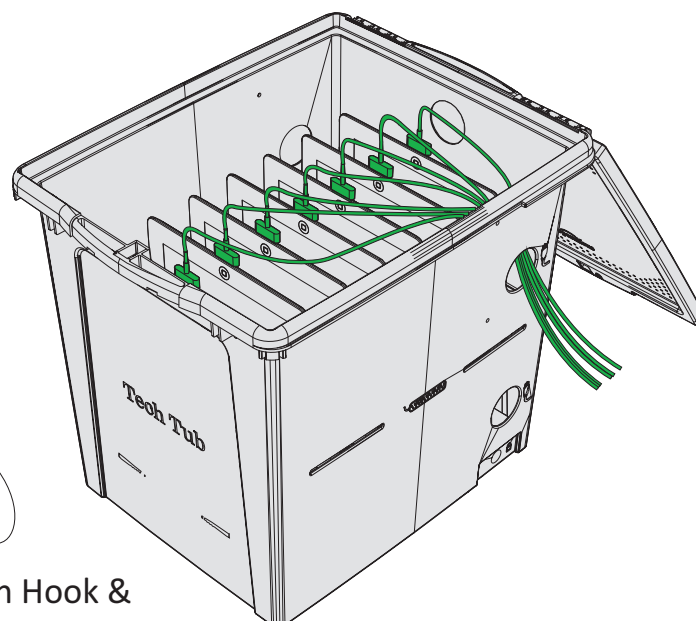


Cable Management

ROUTE YOUR DEVICE CABLES THROUGH THE CABLE HOLES ON THE SIDES OR REAR OF THE TECH TUB™



We recommend you bundle your cables with Hook & Loop Strap!





Tips for Use

Device Management

Keeping track of your devices can be made even easier by creating a sign-out program.

There are many automated software solutions available that make setting up and running a device check-out program very easy.

Here is a list of some companies and their products:

- ResourceMate[®] - www.resourcebate.com
- Neuton Data Systems - www.neuton.net
- IntelliScanner - www.intelliscanner.com



Does your school already use an automated system to keep track of books? You could use this system to also keep track of your devices!

