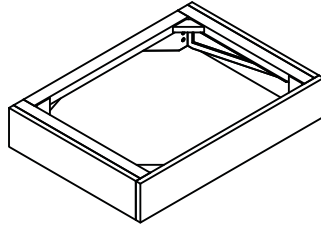
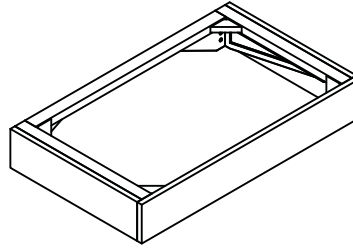


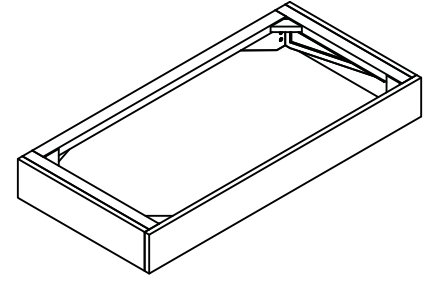
SH-BLOX-OT24XX



SH-BLOX-OT30XX



SH-BLOX-OT36XX



SH-BLOX-OT48XX

## THANK YOU FOR CHOOSING XYLEM

Please take a few minutes to review this manual before you start installation. If you encounter any installation problems, please don't hesitate to contact us. Before you begin, please observe all local building codes. Unpack the new product and inspect for damage. The appearance of your vanity may differ from the illustrations in this guide. This instructions still apply. Please ensure the finished wall is straight and plumb and the floor is flat and perpendicular to the finished wall.

### SUGGESTED TOOLS AND MATERIALS



Philips Screwdriver



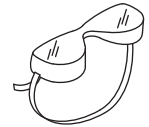
Level



Drill



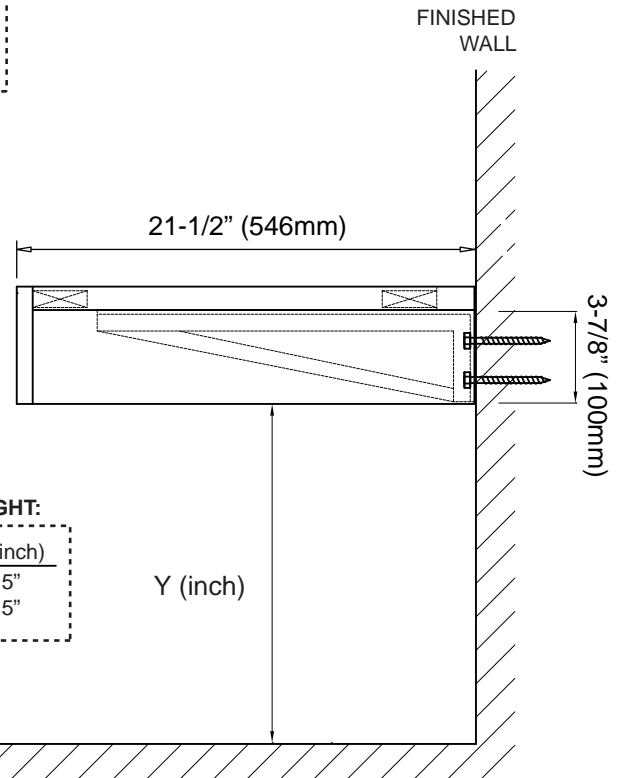
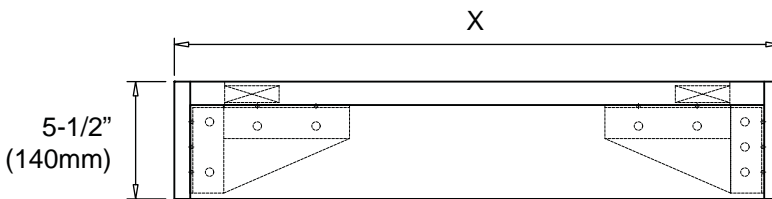
Tape Measure



Safety Glasses

### ROUGH-IN DIMENSIONS

Model #	X (inch)
SH-BLOX-OT24XX	24"
SH-BLOX-OT30XX	30"
SH-BLOX-OT36XX	36"
SH-BLOX-OT48XX	48"



#### SUGGESTED HEIGHT:

Application	Y (inch)
Undermount	28.5"
Vessel	25.5"

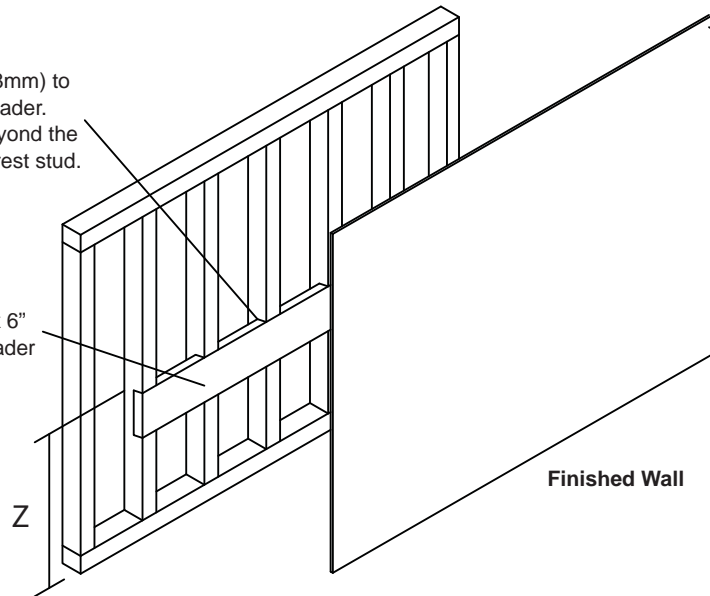
## WALL PREPARATION

Notch studs 1-1/2" (38mm) to provide support for header. Extend the header beyond the countertop to the nearest stud.

2" x 6"  
Header

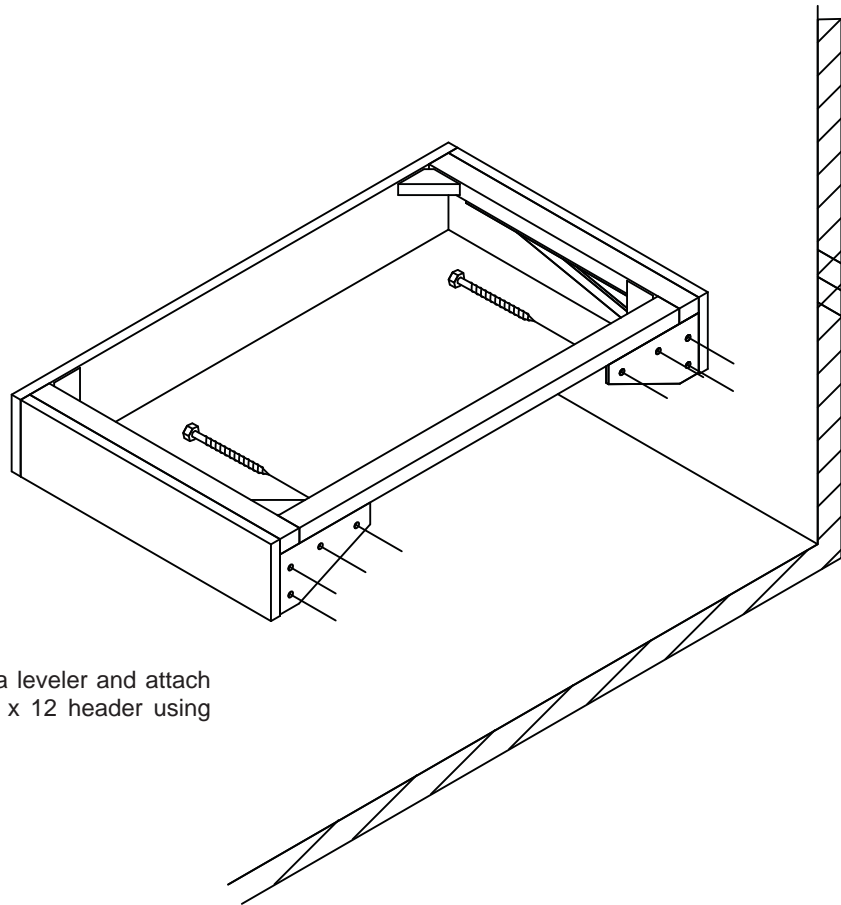
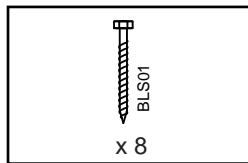
### SUGGESTED HEIGHT:

Application	Z (inch)
Undermount	35"
Vessel	32"



## INSTALLATION INSTRUCTIONS

### HARDWARE INCLUDED



Level the vanity with a leveler and attach the brackets to the 2 x 12 header using screws provided.

## CARE AND CLEANING

- To maintain the beauty of the finish, avoid placing the furniture in direct sunlight, as sunlight causes fading. Also avoid extreme changes in temperature by arranging furniture away from radiators, heat and air vents, and air conditioning units. Avoid placing furniture directly under windows.
- Dust the vanity frequently with a clean, soft, dry or lint-free cloth. Clean the surface by rubbing in the direction of the grain using damp lint-free cloth. Avoid using silicone cleaners and waxes.
- Clean up excess water and spills immediately. Use blotting rather than a wiping action. Water left over a long period of time will cause white spots in the finish. Please note that some chemicals may damage the finish.