




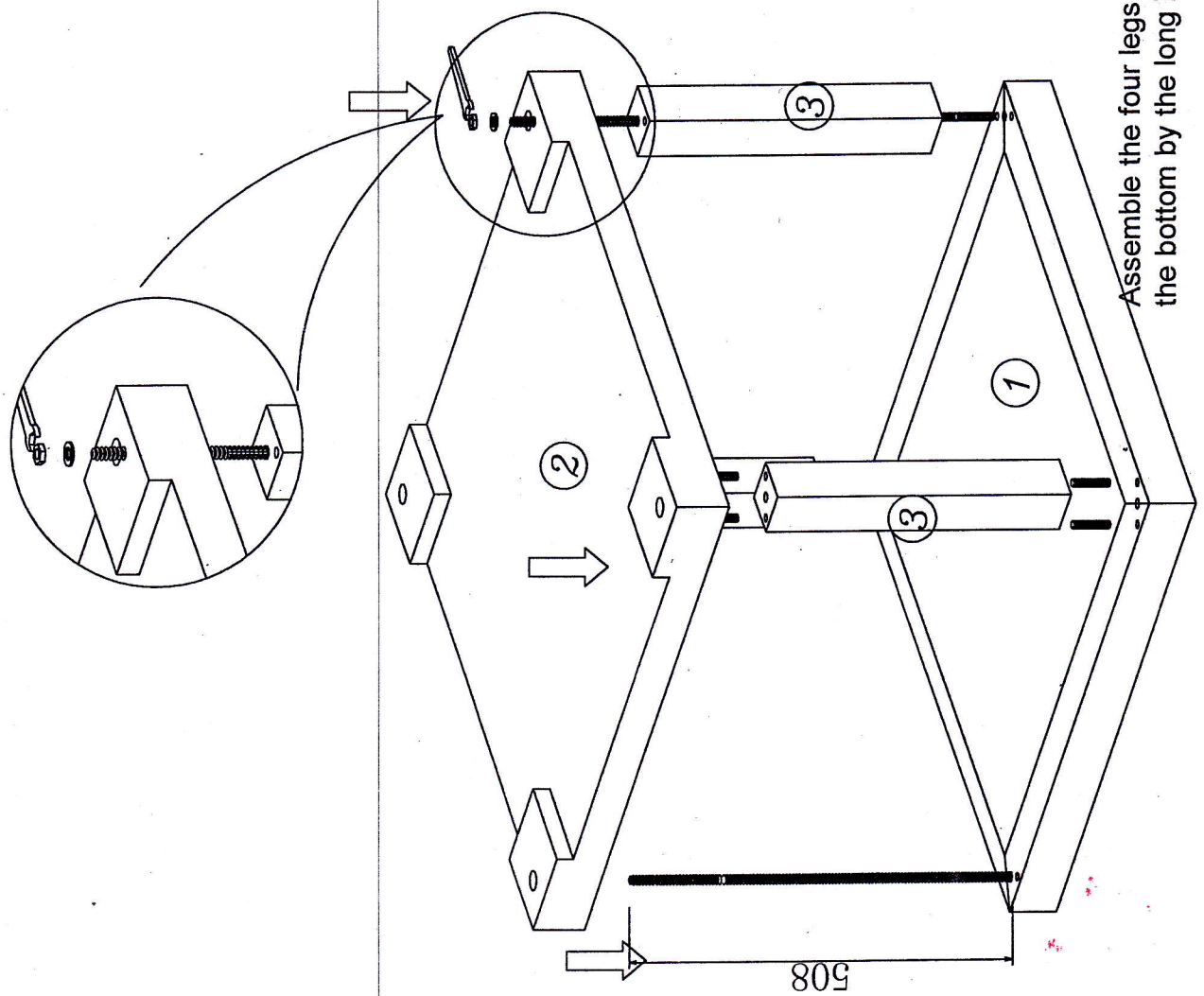
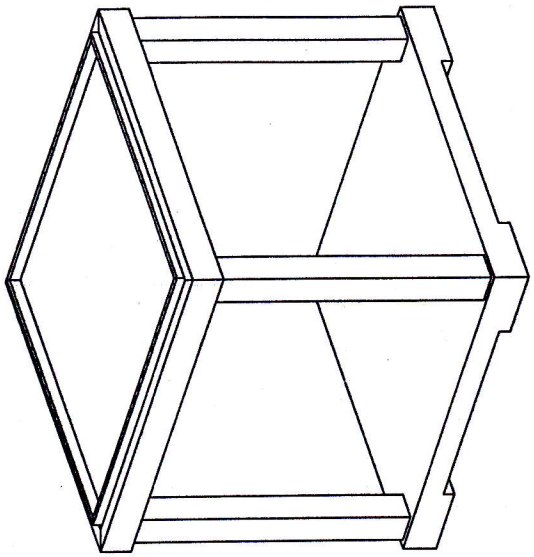


# Assembly Instruction

## Flux End table

	Hardware kit	Qty
A	 	4 + 4p
B	 $\phi 8 * 40$	16p
C		1p
D	 M6 * 520	4p

P.S: To assemble the furniture on a clean and smooth ground



Assemble the four legs from the bottom by the long bolt(D)

Style NO: CY-Y010-1-40