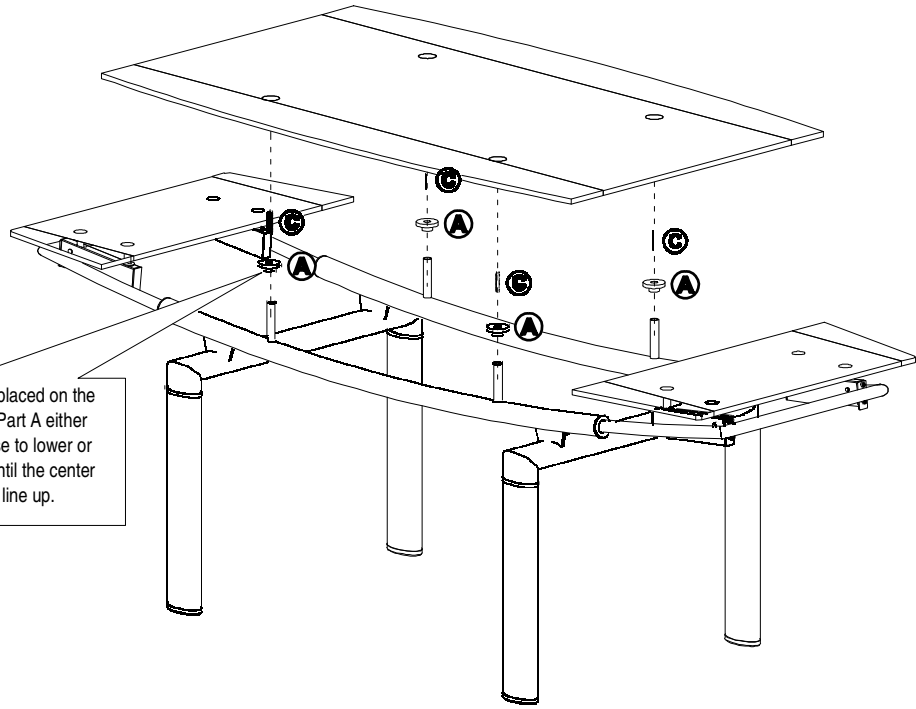


FIG.
2

Note: Once the Glass Top is placed on the Metal Frame, you can rotate Part A either clockwise or counter-clockwise to lower or raise the Glass Top. Adjust until the center glass and the extension leaves line up.



ASSEMBLY INSTRUCTION

DT-833 Extension Table

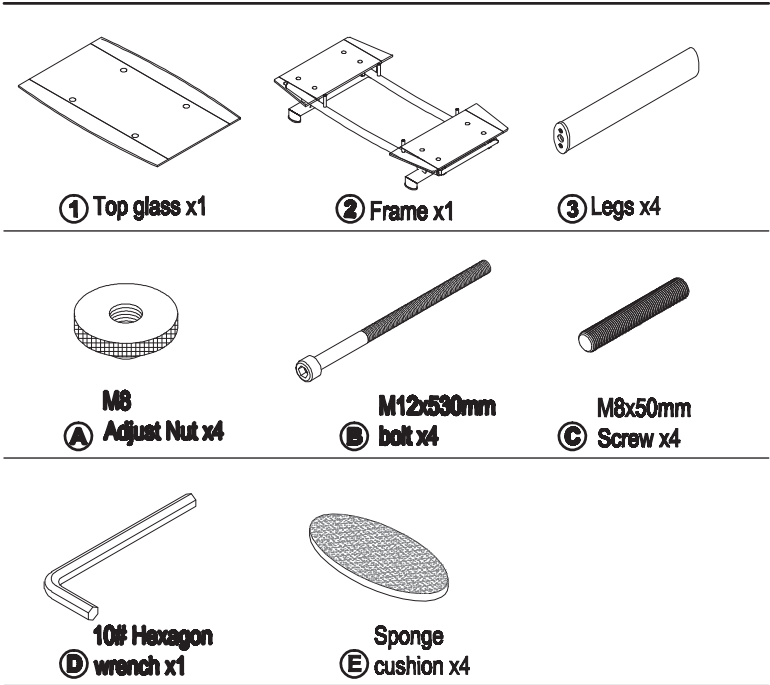
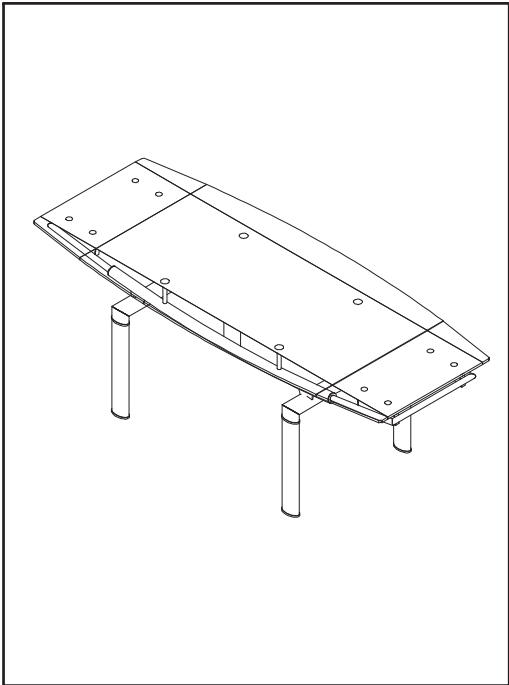


FIG. 1

