

# JULIEN

Donnez vie à vos idées.  
Make your ideas real.

## SPECIFICATIONS

Category: **PVC - Accessories**

Product Name: **Drain Fittings**

MODEL: **100098 - White**  
**100099 - Beige**  
**100100 - Brown**  
**100101 - Black**

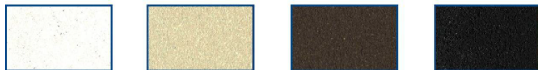
### FEATURES:

- 3-1/2" diameter complete strainer
- Deep PVC basket insert strainer included
- Heavy Duty PVC construction of body
- Perfect complement for Julien Granix kitchen sinks
- Available in white, beige, brown and black



### AVAILABLE COLOURS:

White      Beige      Brown      Black



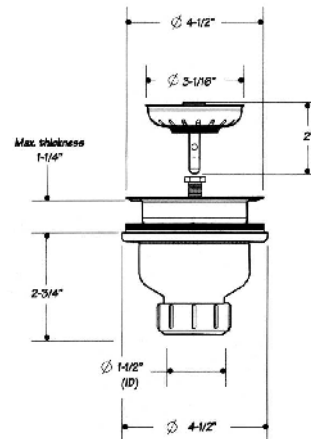
Model	Chrome finish	Satin Nickel finish	Pewter finish	Julien 16 gauge s/s	Julien 18 gauge s/s	Julien Granix	Julien Fireclay
100098							
100099						✓	
100100							
100101							

### WARRANTY:

Julien inc. offers a 1-YEAR LIMITED WARRANTY following the purchase date for all mobile parts, options and accessories against defects of material and workmanship. For further details on our product warranty, please refer to our catalog or Web site.

### PRODUCT SPECIFICATIONS:

This 3-1/2" diameter decorative drain fitting features a removable pvc strainer basket that lifts out for easy cleaning. PVC drain fitting is a perfect complement for Julien Granix sinks. Available in white, beige, brown and black quartz finish. Note that the black drain matches with Granix black, jet black and inox.



### PROJECT/JOB INFORMATION:

Project/Job name: \_\_\_\_\_

Specifier: \_\_\_\_\_

Contractor: \_\_\_\_\_

This specification is subject to change without notice. Julien assumes no responsibility for the use of superseded or voided specifications.