

JULIEN

Donnez vie à vos idées.
Make your ideas real.

SPECIFICATIONS

Category: **Faucets Accessories**

Product Name: **Soap Dispenser**

MODEL: **306005 - Polished Chrome**
306015 - Brushed Nickel
306025 - Oil Rubbed Bronze

FEATURES:

- Solid brass construction for long life and durability
- Available in 3 finishes
- Made in Italy

AVAILABLE COLOURS:

Chrome Brushed Nickel Oil Rubbed Bronze

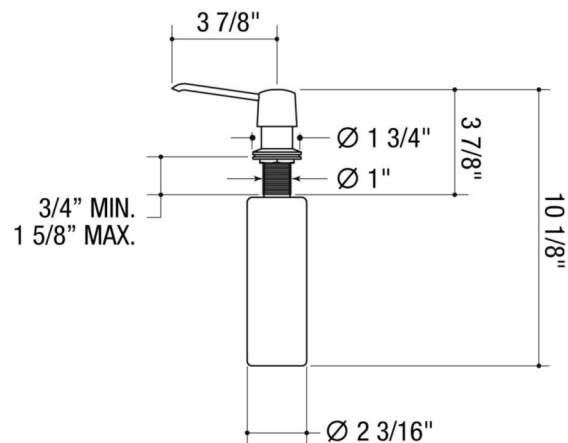


WARRANTY:

Julien inc. offers a 1-YEAR LIMITED WARRANTY following the purchase date for all mobile parts, options and accessories against defects of material and workmanship. For further details on our product warranty, please refer to our catalog or Web site.

PRODUCT SPECIFICATIONS:

Soap dispenser.



PROJECT/JOB INFORMATION:

Project/Job name: _____

Specifier: _____

Contractor: _____

This specification is subject to change without notice. Julien assumes no responsibility for the use of superseded or voided specifications.