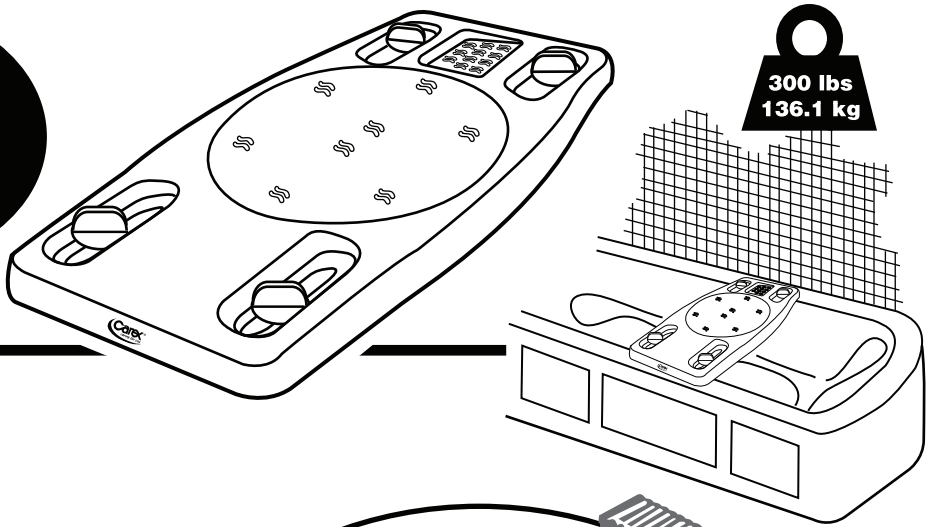


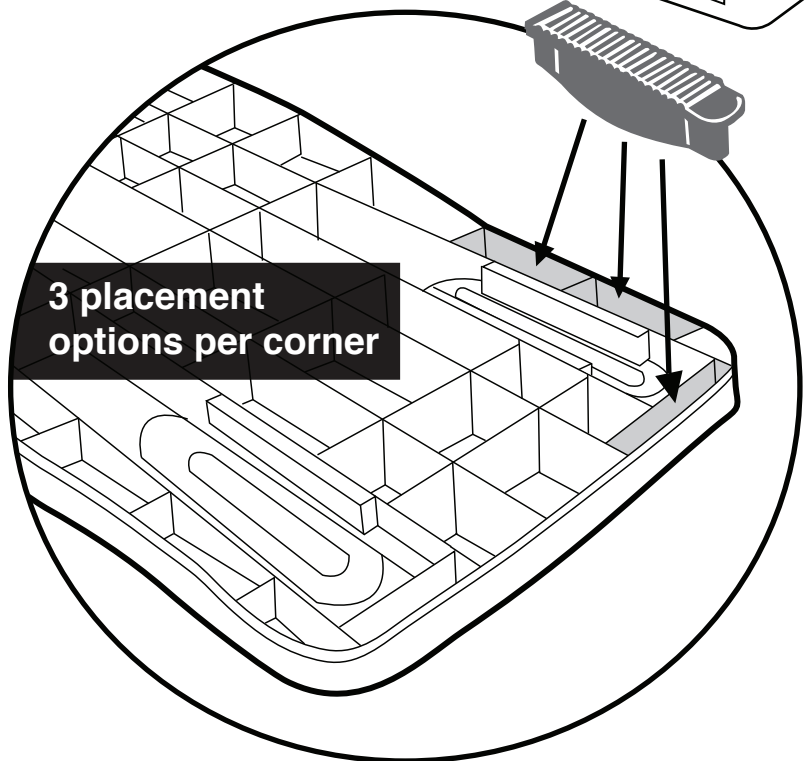
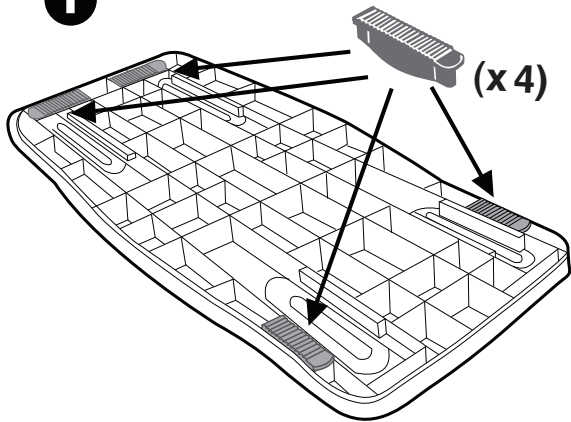


B217



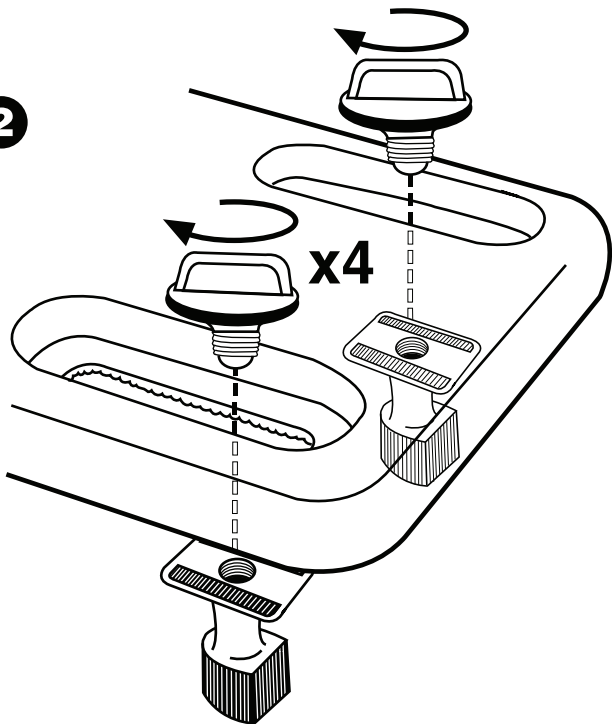
300 lbs
136.1 kg

1



3 placement options per corner

2



3

