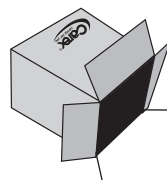
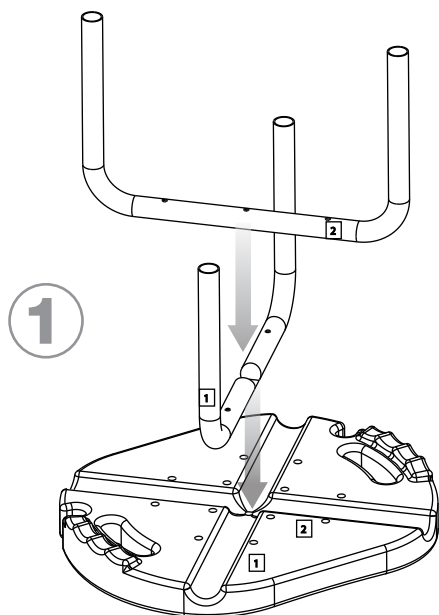


B650

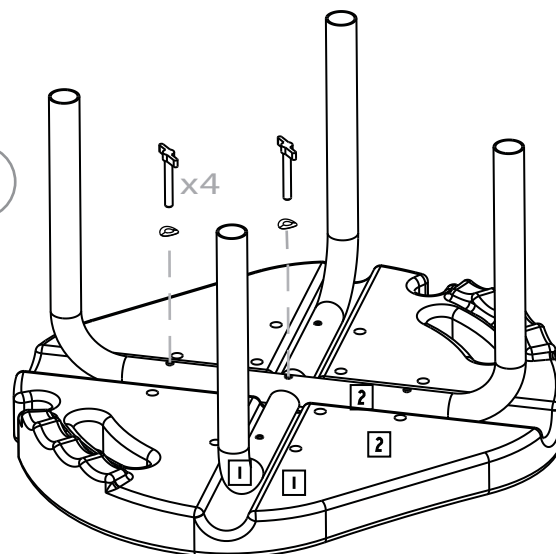


Installation Instructions

	Seat x 1		Leg Extensions x 4
	U Bar x 2 Labeled "1" and "2"		Washer x 5
			Screws x 5

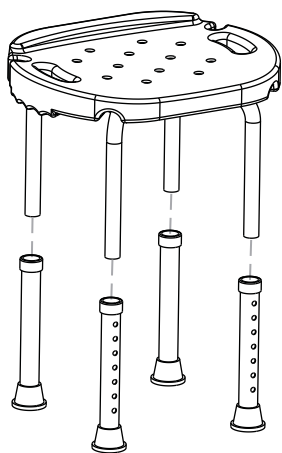


2



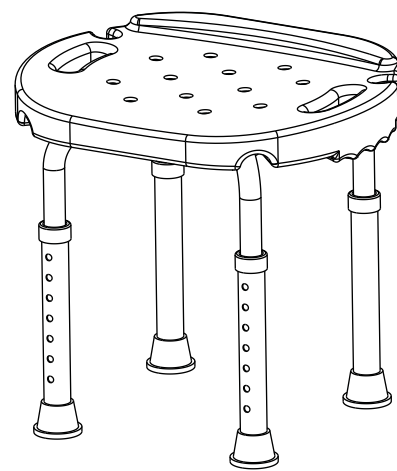
Tighten the middle medium screw. Periodically check to assure that all screws remain tight.

3



4

Check for stability.
Assure all pins are in place.
Place in shower or bath.
Periodically check to assure that all screws remain tight.



Carex Health Brands

PO Box 2526 • Sioux Falls, SD 57101-2526
Phone: 800-328-2935 • Fax: 888-616-4297
www.carex.com



Carex Health Brands

All Rights Reserved
© 2012 Carex Health Brands
42-B65000_05

Final Trim Size: 8.5" X 11"

COLOR



BLACK

Paper: 100gsm Wood-free