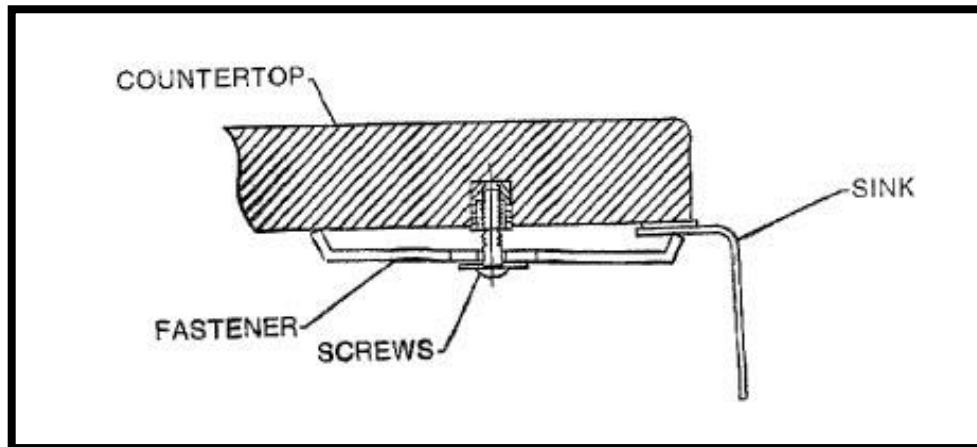




Undermount Sink Installation Instructions



1. Draw the cutout on the countertop using the enclosed template.
2. Drill a clearance hole within the drawn cutout line.
3. Cut on the line using the proper saw for the selected surface. Reveal or Overhang should be decided prior to cutting. Adjust accordingly.
4. Verify there is ample space for the faucet and soap dispenser. Mark locations of faucet and other accessories on the countertop.
5. Mark the bottom of the surface where the sink mounting inserts will be placed. Drill the holes and tap into the place the inserts.
6. Place slotted bracket on the nut and loosely place on the inserts.
7. Place sealer along the top of the sink surface where edge will meet countertop.
8. Place sink under countertop and when in the correct position, tighten bolts in a diagonally opposing order.
9. Remove any excess sealant and tape. Do not use chlorine based products to remove the excess sealant that may have spread onto the sink.