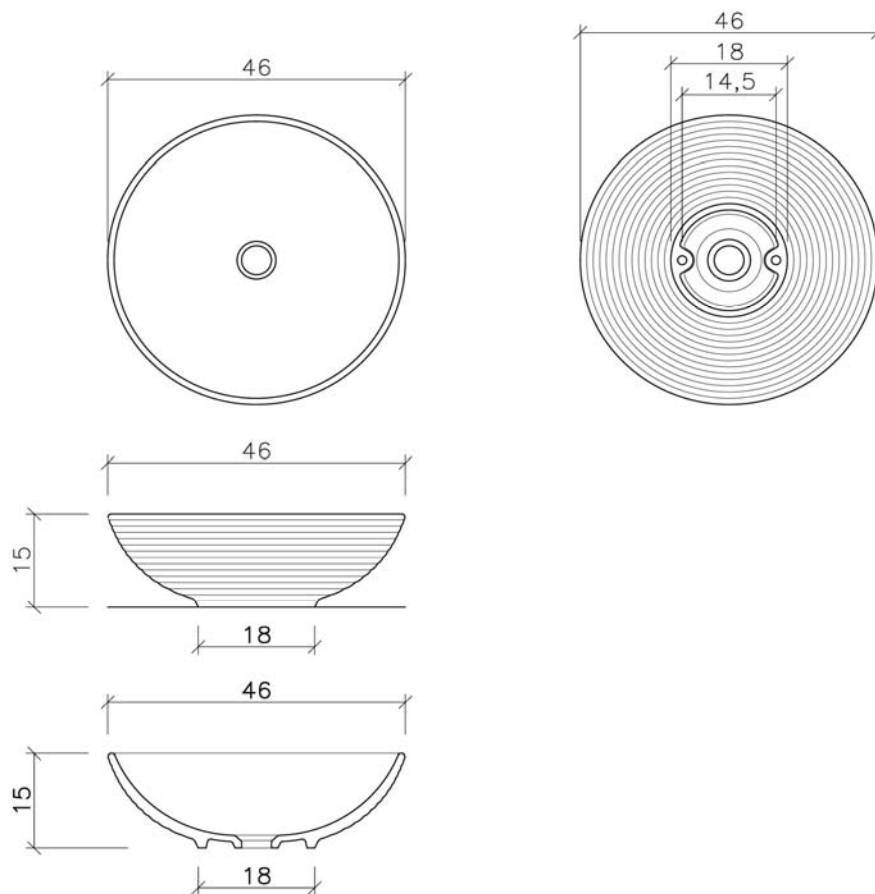


# Product Specs Sheets



**Collection**  
**Ceramica**

**Model** |  
**LVO 500**

Dimensions  
shown metric

**WS BATH COLLECTIONS**  
1051 Lea Drive - Collegeville, PA 19426  
Tel. 610 831 0214 - Fax 610 831 0215  
[www.wsbathcollections.com](http://www.wsbathcollections.com)  
[info@wsbathcollections.com](mailto:info@wsbathcollections.com)