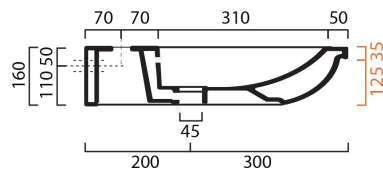
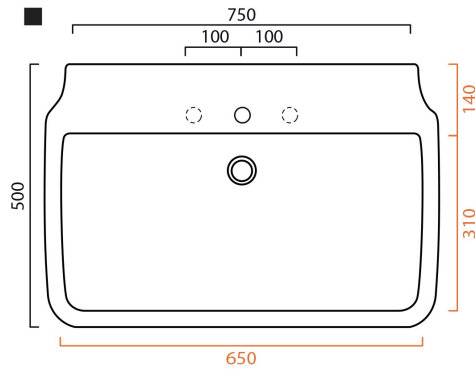
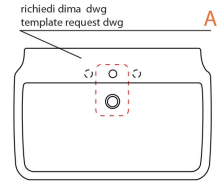
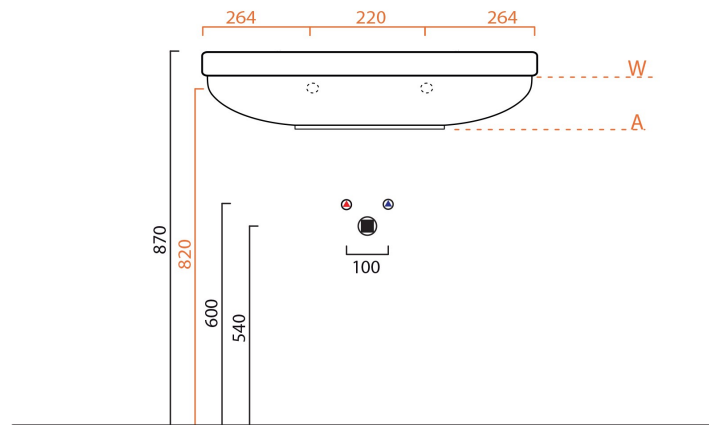


# Product Specs Sheets

- = smaltato perimetralmente  
all glazed sides
- = non smaltato dietro  
unglazed behind



- U= sottopiano  
undercounter
- I= incasso  
inset
- A = appoggio  
freestanding
- W= sospeso  
wall hung



## nova 75

Collection Ceramic II

Model | Nova 75

Dimensions  
shown metric

WS BATH COLLECTIONS

1051 Lea Drive - Collegeville, PA 19426  
Tel. 610 831 0214 - Fax 610 831 0215  
www.wsbathcollections.com  
info@wsbathcollections.com