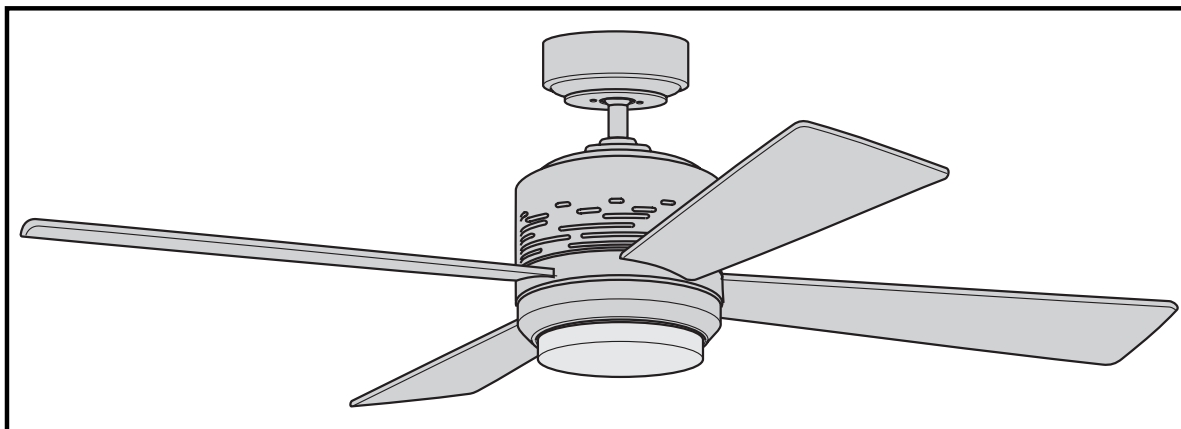


**READ AND SAVE THESE INSTRUCTIONS**



**EMERSON™**



**HIGHRISE™**

**50" Ceiling Fan Owner's Manual**

Model Numbers

**CF430BS00**  
**Brushed Steel**

**CF430ORB00**  
**Oil Rubbed Bronze**

**CF430SW00**  
**Satin White**

Net Weight: **24.3** Lbs.

Questions, problems, missing parts: Before returning to the store call  
Emerson Electric Customer Service  
8 a.m. - 6 p.m., Eastern, Monday-Friday

**1-800-654-3545**

**[www.emersonfans.com](http://www.emersonfans.com)**

# Table of Contents

Section	Page	Section	Page
Safety Instructions	2	7. Wall Control Procedures	14-18
1. Unpacking Instructions	3-4	8. Maintenance	19
2. Electrical Requirements	4	9. Accessories	19
3. Ceiling Fan Assembly	5-6	10. Repair Parts	20-21
4. How to Hang Your Ceiling Fan	7-8	11. Trouble Shooting	22
5. How to Wire Your Ceiling Fan	9-10	12. Remote Control Trouble Shooting	22
6. Final Assembly	11-13	Ceiling Fan Limited Warranty	23

## READ AND SAVE THESE INSTRUCTIONS

### Safety Instructions

#### WARNING

TO REDUCE THE RISK OF FIRE, ELECTRICAL SHOCK, OR INJURY TO PERSONS, OBSERVE THE FOLLOWING:

- Use this unit only in a manner intended by the manufacturer. If you have questions, contact the manufacturer.
  - Before servicing or cleaning unit, switch power off at service panel and lock service panel disconnecting means to prevent power from being switched on accidentally. When the service disconnecting means cannot be locked, securely fasten a warning device, such as a tag, to the service panel.
- Read your owner's manual carefully and keep it for future reference.
  - Be careful of the fan and blades when cleaning, painting, or working near the fan. Always turn off the power to the ceiling fan before servicing.
  - Do not put anything into the fan blades while they are turning.
  - Do not operate reversing switch until fan blades have come to a complete stop.

#### Additional Safety Instructions for Installation

- To avoid possible shock, be sure electricity is turned off at the fuse box before wiring, and do not operate fan without blades.
- All wiring must be in accordance with the National Electrical Code "ANSI/NFPA 70-2014" and Local Electrical Codes. Use the National Electrical Code if Local Codes do not exist. The ceiling fan must be grounded as a precaution against possible electrical shock. Electrical installation should be made or approved by a licensed electrician.

- The outlet box and joist must be securely mounted and capable of reliably supporting at least 50 pounds. Use only U.L. outlet boxes listed as "Acceptable for Fan Support of 22.7 kg. (50 lbs.) or less", and use the mounting screws provided with the outlet box. Most outlet boxes commonly used for support of light fixtures are not acceptable for fan support and may need to be replaced. Consult a qualified electrician if in doubt.
- The downrod furnished with the fan provides the minimum recommended floor to fan blade clearance for an 8 foot ceiling.
- The fan must be mounted with the fan blades at least 7 feet from the floor to prevent accidental contact with the fan blades.
- Follow the recommended instructions for the proper method of wiring your ceiling fan. If you do not know enough about electrical wiring, have your fan installed by a licensed electrician.

**WARNING:** To reduce the risk of electrical shock, this fan must be installed with an isolating wall control/switch.

**NOTE:** This fan is suitable for use with solid-state speed controls.

**WARNING:** This product is designed to use only those parts supplied with this product and/or any accessories designated specifically for use this product by Emerson Electric Co. Substitution of parts or accessories not designated for use with this product by Emerson could result in personal injury or property damage.

**WARNING:** To reduce the risk of personal injury, do not bend the blade flange when installing the blade flanges, balancing the blades or cleaning the fan. Do not insert foreign objects in between rotating fan blades.

**WARNING:** To avoid fire, shock or injury, do not use an Emerson or any other brand of control not specifically approved for this fan.

**NOTE:** All setscrews must be checked and re-tightened where necessary before installation.

DATE CODE: \_\_\_\_\_

The date code of this fan may be found on the box, stamped in ink on a white label. You should record this data above and keep it in a safe place for future use.

# 1. Unpacking Instructions

## ⚠ WARNING

Do not install or use fan if any part is damaged or missing. Call Toll-Free:

**1-800-654-3545**

## ⚠ WARNING

This product is designed to use only those parts supplied with this product and/or any accessories designated specifically for use with this product by Emerson Electric Co. Substitution of parts or accessories not designated for use with this product by Emerson Electric Co. could result in personal injury or property damage.

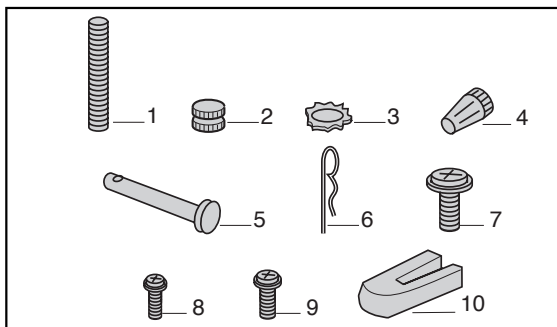
### 1.1

Check to see that you have received the following parts:

**NOTE: If you are uncertain of part description, refer to exploded view illustration.**

### HARDWARE CONTENTS

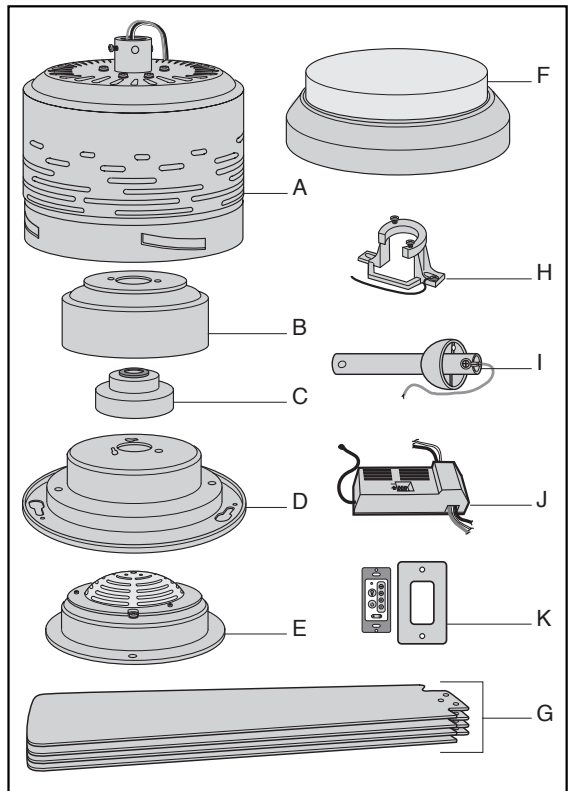
Part	Description	Quantity
1	Threaded Studs, #8-32 x 1-1/4"	2
2	Knurled Knobs, #8-32	2
3	Lockwashers, External Tooth #8	2
4	Wire Connectors, 12 ga.	5
5	Clevis Pin	1
6	Hairpin Clip	1
7	Screw, Washer Head, #8- 32 x 11mm	10
8	Screw, Truss Head, #6- 32 x 3/8" (spare)	1
9	Screw, Truss Head, #8- 32 x 3/8" (spare)	1
10	Blade Balance Kit	1



**NOTE: Place the parts from the loose parts bags in a small container to keep them from being lost. If any parts are missing, contact your local retailer or catalog outlet for replacement before proceeding.**

### PACKAGE CONTENTS

Part	Description	Quantity
A	Fan Motor Assembly	1
B	Ceiling Cover	1
C	Coupler Cover	1
D	Light Kit Plate Adapter	1
E	Light Fixture Assembly - LED	1
F	Glass Shade Assembly	1
G	Fan Blades	4
H	Hanger Bracket	1
I	Hanger Ball/4.5" Downrod Assembly	1
J	RCFP Receiver	1
K	SW406 Wall Control	1



### 1.2

Remove the fan motor assembly from the protective plastic bag. Place the fan assembly into the upper foam pad with the bottom of the motor facing up.

The upper foam pad serves as a holder for the fan during assembly.

# 1. Unpacking Instructions (continued)

This Manual Is Designed to Make it as Easy as Possible for You to Assemble, Install, Operate and Maintain Your Ceiling Fan

## Tools Needed for Assembly

One Phillips head screwdriver	One stepladder
One 1/4" blade screwdriver	One wire stripper

## Installed Wire Length

Up to 50 ft.  
50-100 ft.

## Wire Size A.W.G.

14  
12

## Materials

Wiring outlet box and box connectors must be of type required by the local code. The minimum wire would be a 3-conductor (2-wire with ground) of following size:

### WARNING

Before assembling your ceiling fan, refer to section on proper method of wiring your fan (page 9). If you feel you do not have enough wiring knowledge or experience, have your fan installed by a licensed electrician.

# 2. Electrical Requirements

Your new ceiling fan will require a grounded electrical supply line of 120 volts AC, 60 Hz, 15 amp circuit.

### WARNING

To reduce the risk of fire, electric shock, or personal injury, mount fan to outlet box marked "Acceptable for Fan Support of 22.7 kg. (50 lbs.) or less", and use screws supplied with outlet box. Most outlet boxes commonly used for support of light fixtures are not acceptable for fan support and may need to be replaced. Consult a qualified electrician if in doubt.

### WARNING

Turning off wall switch is not sufficient. To avoid possible electrical shock, be sure electricity is turned off at the main fuse box before wiring. All wiring must be in accordance with National and Local codes and the ceiling fan must be properly grounded as a precaution against possible electrical shock.

The outlet box must be securely anchored and capable of withstanding a load of at least 50 pounds.

If your fan is to replace an existing ceiling light fixture, turn electricity off at the main fuse box at this time and remove the existing light fixture.

### WARNING

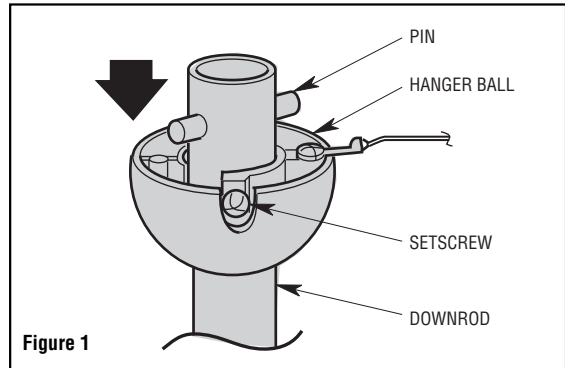
To avoid fire or shock, follow all wiring instructions carefully.

Any electrical work not described in these instructions should be done or approved by a licensed electrician.

# 3. Ceiling Fan Assembly

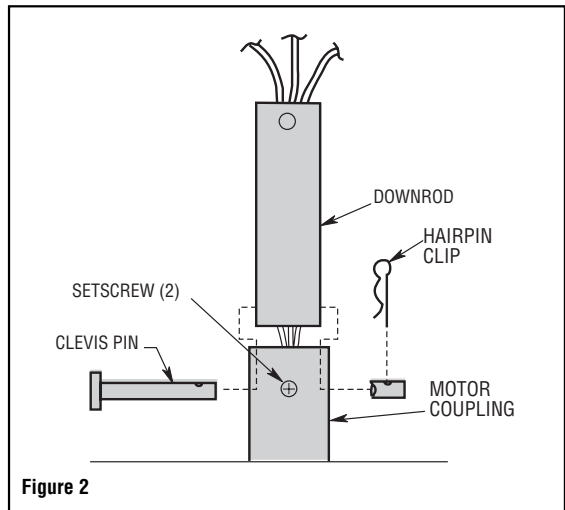
## 3.1

Remove the hanger ball by loosening the setscrew in the hanger ball until the ball falls freely down the downrod (Figure 1). Remove the pin from the downrod, then remove the hanger ball. Retain the pin and hanger ball for reinstallation in Step 3.6.



## 3.2

Loosen setscrew in motor coupling if necessary. Separate, untwist and unkink the three 80" motor leads. Route the motor lead wires through the downrod. Align the clevis pin holes in the downrod with the holes in the motor coupling. Install the clevis pin and secure with the hairpin clip (Figure 2). The clevis pin must go through the holes in the motor coupling and the holes in the downrod. Be sure to push the straight leg of the hairpin clip through the hole near the end of the clevis pin until the curved portion of the hairpin clip snaps around the clevis pin. The hairpin clip must be properly installed to prevent the clevis pin from working loose. Pull on the downrod to make sure the clevis pin is properly installed.



### ⚠ WARNING

It is critical that the clevis pin in the motor coupling is properly installed and the setscrews securely tightened. Failure to verify that the pin and setscrews are properly installed could result in the fan falling.

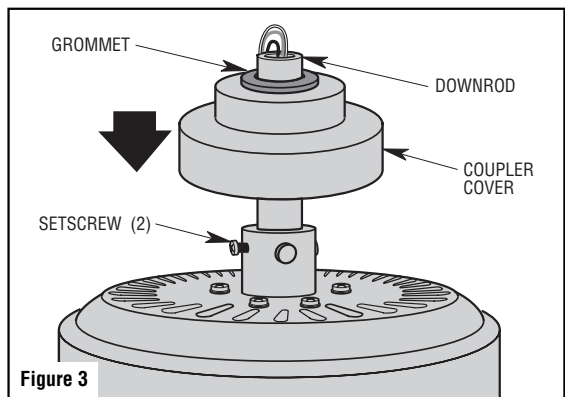
## 3.3

While pulling up on the downrod, securely tighten the two setscrews in the motor coupling (Figure 3).

**NOTE: The setscrews must be properly installed as described above, or fan wobble could result.**

## 3.4

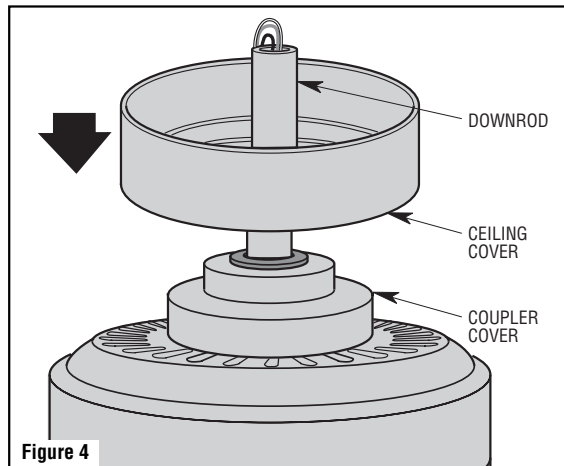
Make sure the grommet is properly installed on the coupler cover then slide the coupler cover on the downrod until it rests on the motor housing (Figure 3).



## 3. Ceiling Fan Assembly (continued)

### 3.5

Place the ceiling cover over the downrod. Be sure both the ceiling cover and the coupler cover are oriented correctly (Figure 4).



### 3.6

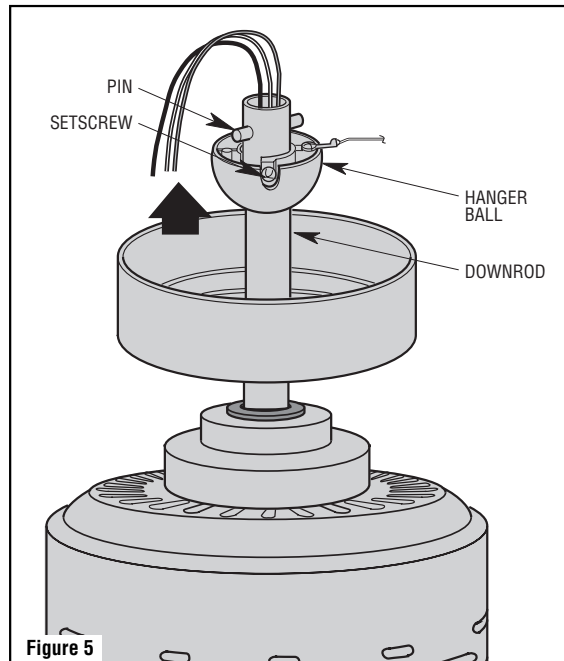
Reinstall the hanger ball (Figure 5) on the downrod as follows. Route the motor leads through the downrod. Position the pin through the two holes in the downrod and align the ball so the pin is captured in the groove in the top of the hanger ball. Pull the hanger ball up tight against the pin and securely tighten the setscrew in the hanger ball. A loose setscrew could create fan wobble.

#### **WARNING**

It is critical that the pin in the hanger ball is properly installed and the setscrew securely tightened. Failure to verify that the pin and setscrew are properly installed could result in the fan falling.

### 3.7

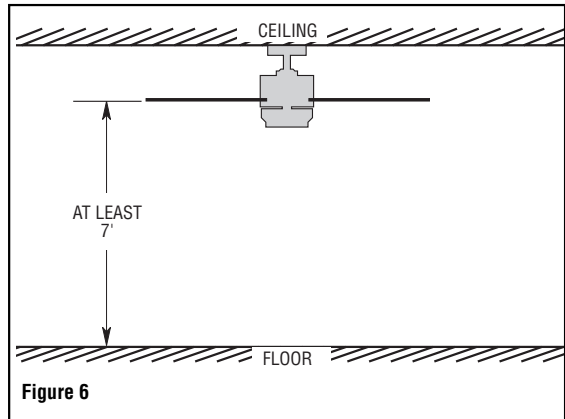
The fan comes with blue, black and white leads that are 80-inches long. Before installing the fan, measure up approximately 6 to 9-inches above top of hanger ball/downrod assembly. Cut off excess leads and strip back insulation 1/2-inch from end of leads.



## 4. How to Hang Your Ceiling Fan

### **⚠ WARNING**

The fan must be hung with at least 7' of clearance from floor to blades (Figure 6).

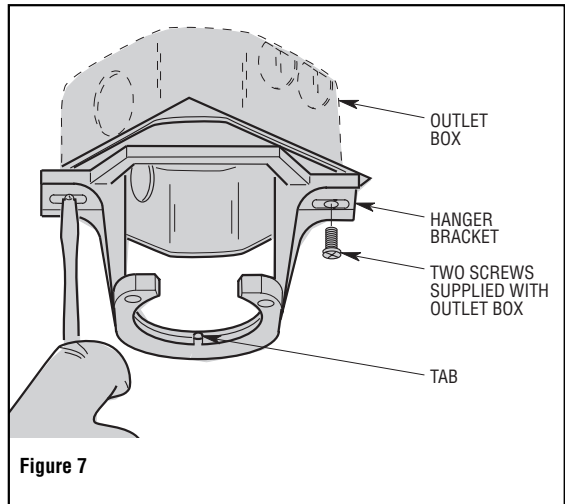


### **⚠ WARNING**

The outlet box and joist must be securely mounted and capable of supporting at least 50 lbs. Use only a U.L. outlet box listed as “Acceptable for Fan Support of 22.7 kg. (50 lbs.) or less”.

### **⚠ WARNING**

To reduce the risk of fire, electric shock, or personal injury, mount fan to outlet box marked “Acceptable for Fan Support of 22.7 kg. (50 lbs.) or less”, and use screws supplied with outlet box. Most outlet boxes commonly used for support of light fixtures are not acceptable for fan support and may need to be replaced. Consult a qualified electrician if in doubt.



### 4.1

Securely attach the hanger bracket to the outlet box using the two screws supplied with the outlet box. (Figure 7.)

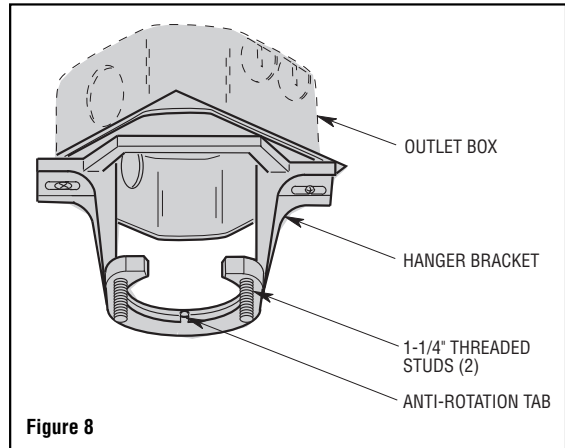
### **⚠ WARNING**

Hanger bracket must seat firmly against outlet box. If the outlet box is recessed, remove wall board until bracket contacts box. If bracket and/or outlet box are not securely attached, the fan could wobble or fall.

## 4. How to Hang Your Ceiling Fan (continued)

### 4.2

Screw the two 1-1/4" threaded studs (supplied) into the tapped holes in the hanger bracket (Figure 8).



### 4.3

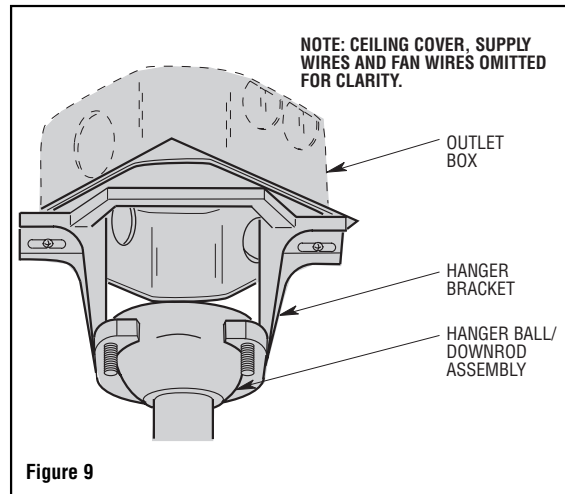
Carefully lift the fan and seat the hanger ball/ downrod assembly into the hanger bracket that was just attached to the outlet box (Figure 9). Be sure the groove in the ball is lined up with anti-rotation tab on the hanger bracket (Figure 9).

#### **⚠ WARNING**

Failure to seat the anti-rotation tab in groove could cause damage to electrical wires and possible shock or fire hazard.

#### **⚠ WARNING**

To avoid possible fire or shock, do not pinch wires between the hanger ball/downrod assembly and hanger bracket.





# 5. How to Wire Your Ceiling Fan

If you feel that you do not have enough electrical wiring knowledge or experience, have your fan installed by a licensed electrician.

**CAUTION:** To reduce the risk of electrical shock, disconnect the electrical supply circuit before installing the fan, light kit or receiver.

## ⚠ WARNING

To avoid possible electrical shock, be sure electricity is turned off at the main fuse box before wiring.

**NOTE:** If you are not sure if the outlet box is grounded, contact a licensed electrician for advice, as it must be grounded for safe operation.

### 5.1

Position the supply wires to the left side of the outlet box (Figures 10 and 11); position the fan wires to the right side. Partially insert the remote control receiver (flat side up) until the end rests on the hanger ball as shown in Figure 10.

**NOTE:** Make all wiring connections using wire connectors (supplied). Make sure that all connections are tight, including ground, and that no bare wire is visible at the wire connectors, except for the ground wire.

### 5.2

Refer to Figures 10 and 11 and connect the receiver wires to the supply wires and the fan motor wires as follows:

- Securely connect the green grounding wires from the hanger ball and the hanger bracket to the supply grounding conductor (this may be a bare wire or a wire with green insulation).
- Securely connect the supply white (neutral) wire to the receiver white (AC IN N) wire.
- Securely connect the supply black (hot) wire to the receiver black (AC IN L) wire.
- Securely connect the fan motor white wire to the receiver white (TO MOTOR N) wire.
- Securely connect the fan motor black wire to the receiver red (TO MOTOR L) wire.
- Securely connect the fan motor blue wire to the receiver blue (FOR LIGHT) wire.

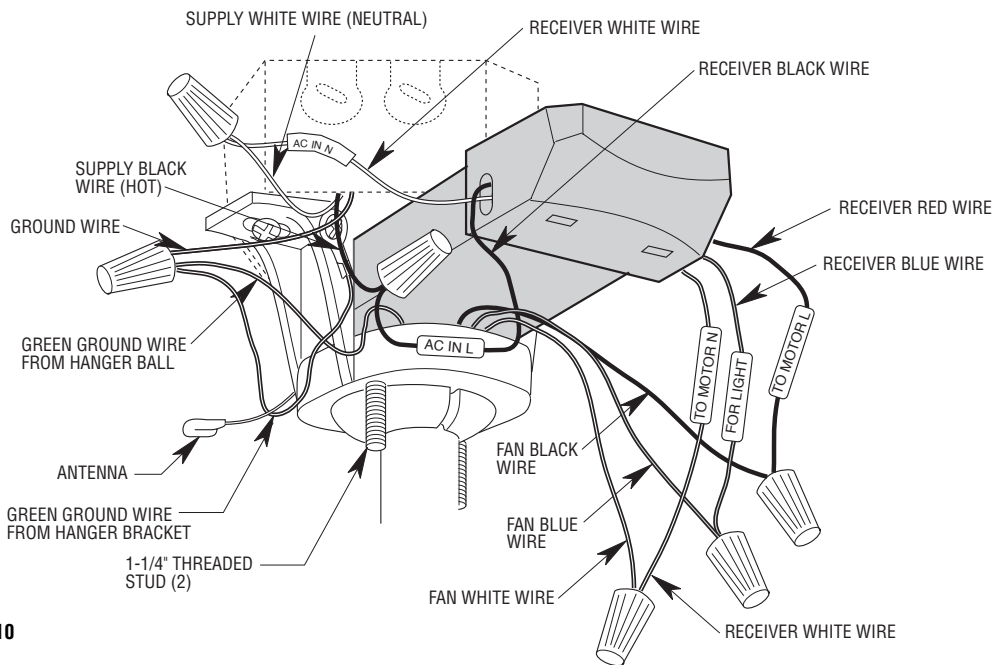


Figure 10

# 5. How to Wire Your Ceiling Fan (continued)

## ⚠ WARNING

This product is designed to use only those parts supplied with this product and/or any accessories designated specifically for use with this product by Emerson Electric Co. Substitution of parts or accessories not designated for use with this product by Emerson Electric Co. could result in personal injury or property damage.

## ⚠ WARNING

Check to see that all connections are tight, including ground, and that no bare wire is visible at the wire connectors, except for the ground wire. Do not operate fan until blades are in place. Noise and fan damage could result.

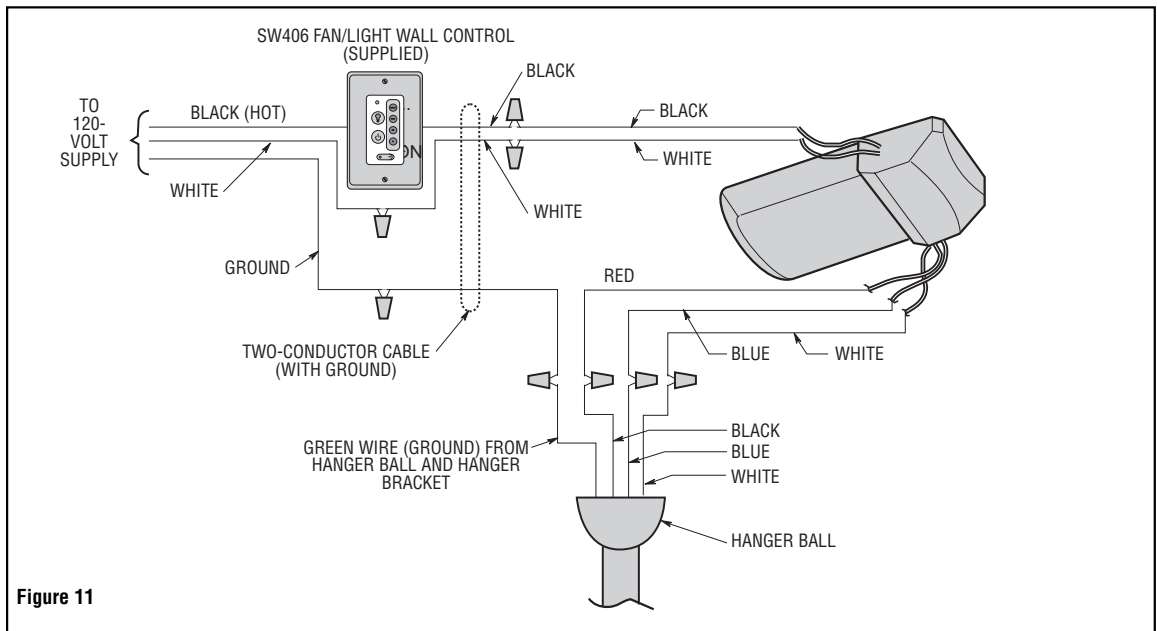


Figure 11

# 6. Final Assembly

## 6.1

Slide the fan blade through the blade slot in the flywheel. (Figure 12).

Mount the fan blade to the fan housing using three #8 - 32 x 11mm washer head blade screws (Figure 12).

**NOTE: Take care not to scratch fan housing assembly when installing blades.**

Complete installation of the remaining three blades per the above instructions.

### **WARNING**

To reduce the risk of personal injury, do not bend the blades when installing, balancing the blades or cleaning the fan. Do not insert foreign objects in between rotating fan blades.

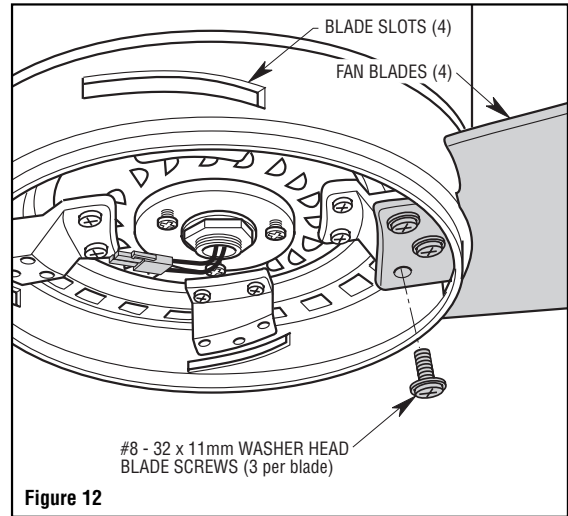


Figure 12

## 6.2

Remove one of the three #6 - 32 x 3/8" truss head screws from the motor housing (Figure 13). Retain the screw for future installation. Loosen the other two screws.

Place the light kit plate adapter onto the motor housing. Rotate the cover to engage the two loosened screws and tight the two loosened screws.

Reinstall the #6 - 32 x 3/8" truss head screw (previously removed) into the light kit plate adapter to secure.

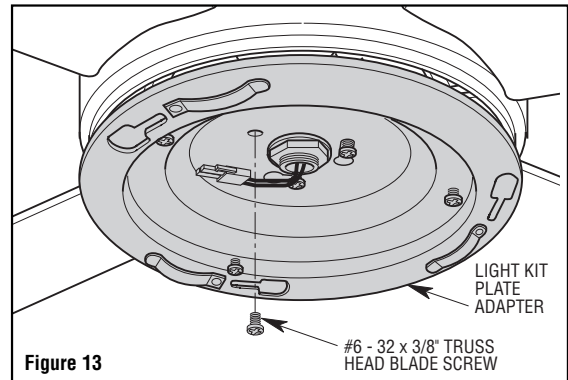


Figure 13

## 6.3

Engage the fan motor assembly connector to the light fixture assembly connector until you hear a snap (Figure 14).

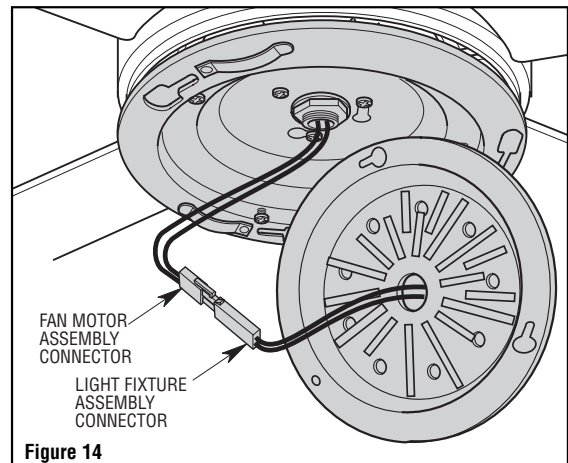


Figure 14

## 6. Final Assembly

### 6.4

Remove one of the three #8 - 32 x 3/8" truss head screws from the light kit plate adapter (Figure 15). Retain the screw for future installation. Loosen the other two screws.

Carefully tuck all the wires under the light fixture assembly prior to installing the light fixture assembly onto the light kit plate adapter.

Place the light fixture assembly onto the light kit plate adapter. Rotate the light fixture assembly to engage the two loosened screws and tight the two loosened screws.

Reinstall the #8 - 32 x 3/8" truss head screw (previously removed) into the light fixture assembly to secure.

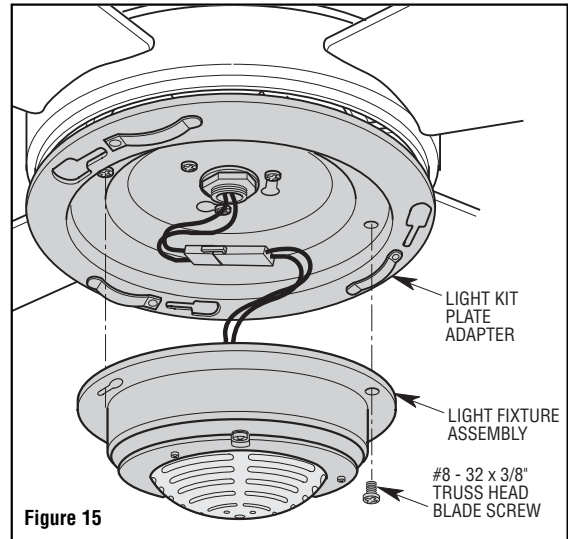


Figure 15

### **⚠ WARNING**

To avoid possible fire or shock, do not pinch wires between the light fixture assembly and the light kit plate adapter.

### 6.5

Position the three glass shade assembly studs into the three keyhole slots of the light kit plate adapter (Figure 16).

Rotate the glass shade assembly clockwise to engage the stud heads into the light kit plate adapter to secure the assembly (Figure 16).

**NOTE: The three flat springs on the light kit plate adapter will add extra security to the glass shade assembly.**

**NOTE: periodically check that the glass shade assembly is seated fully clockwise in the light kit plate adapter.**

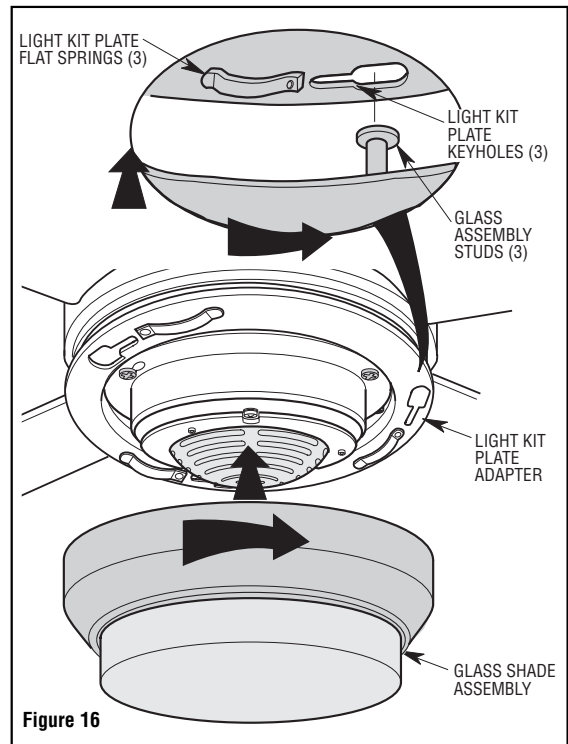


Figure 16

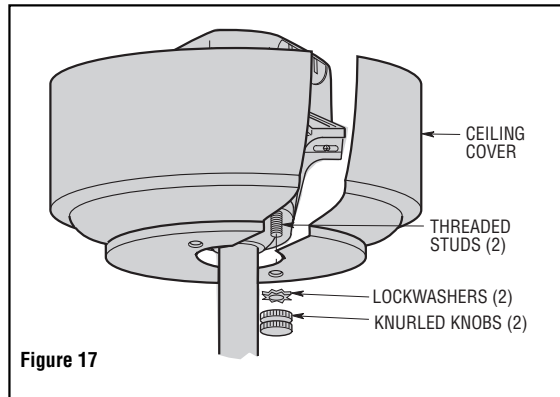
## 6. Final Assembly (continued)

### 6.6

Lift the ceiling cover up to the threaded studs and turn until studs protrude through the holes in the ceiling cover (Figure 17).

### 6.7

Secure the ceiling cover in place by sliding lockwashers over the threaded studs and installing the two knurled knobs (supplied). (Figure 17). Tighten the knurled knobs securely until the ceiling cover fits snugly against the ceiling and the hole in the ceiling cover is clear of the downrod.



### **⚠ WARNING**

To avoid possible fire or shock, make sure that the electrical wires are completely inside the outlet box and not pinched between the ceiling cover and the ceiling.

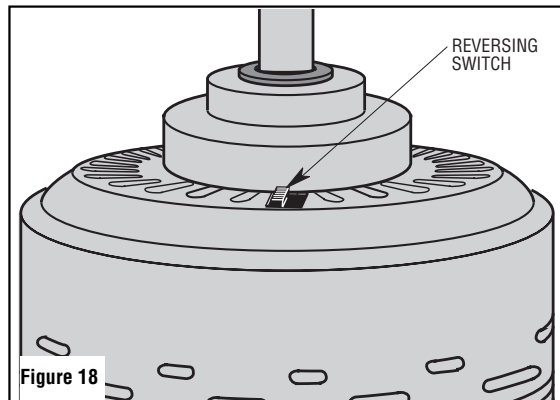
### 6.8

All fans are shipped from the factory with the reversing switch positioned to circulate air downward.

### 6.9

If airflow is desired in the opposite direction, turn the fan off and wait for the blades to stop turning.

Then slide the reversing switch, located on top of the fan motor assembly, to the opposite position (Figure 18) and turn the fan on again. The blades will turn in the opposite direction and reverse the airflow.



#### Reverse Switch Information

Season	Rotation Direction	Switch Position
Summer	Counter-Clockwise	Right
Winter	Clockwise	Left

Please call Emerson technical support at 1-800-654-3545 if you have any questions about installation and operation of this ceiling fan.

## INSTRUCTION TO THE USER (if device contains a digital device)

This equipment has been tested and found to comply with the limits for a class B digital device, pursuant to part 15 of the FCC Rules. These limits are designed to provide reasonable protection against harmful interference in a residential installation. This equipment generates, uses and can radiate radio frequency energy and if not installed and used in accordance with the instructions, may cause harmful interference to radio communications. However, there is no guarantee that interference will not occur in a particular installation. If this equipment does cause harmful interference to radio or television reception, which can be determined by turning the equipment off and on, the user is encouraged to try to correct the interference by one or more of the following measures:

- Reorient or relocate the receiving antenna.
- Increase the separation between the equipment and receiver.
- Connect the equipment into an outlet on a circuit different from that to which the receiver is connected.
- Consult the dealer or an experienced radio/TV technician for help.

This equipment has been certified to comply with the limits for a class B computing device, pursuant to FCC Rules. In order to maintain compliance with FCC regulations, shielded cables must be used with this equipment. Operation with non-approved equipment or unshielded cables is likely to result in interference to radio and TV reception. The user is cautioned that changes and modifications made to the equipment without the approval of manufacturer could void the user's authority to operate this equipment.

This Class B digital apparatus meets all requirements of the Canadian Interference-Causing Equipment Regulations.

## 7. Wall Control Procedures

### 7.1

Your Emerson Ceiling Fan/Light Control consists of wall mounted transmitter and a receiver which is mounted under the fan ceiling cover. The remote control is designed to separately control your ceiling fan speed and light intensity.

Code switches in the transmitter and receiver may be set in 32 different positions. If your fan and light go on and off without using your control, you may be getting interference from other remote units such as garage door openers, car alarms or security systems. To remedy this situations, simply change the combination code in your transmitter and receiver.

### 7.2

**Preset Memory Feature:** Your Emerson receiver is equipped with a preset memory feature. If the AC supply to the receiver is powered through a wall switch, when the switch is turned OFF, the control will remember the light intensity and fan speed. When the switch is turned back ON the light and fan will resume operation as they were prior to the switch being turned OFF.

## 7. Wall Control Procedures (continued)

### 7.3

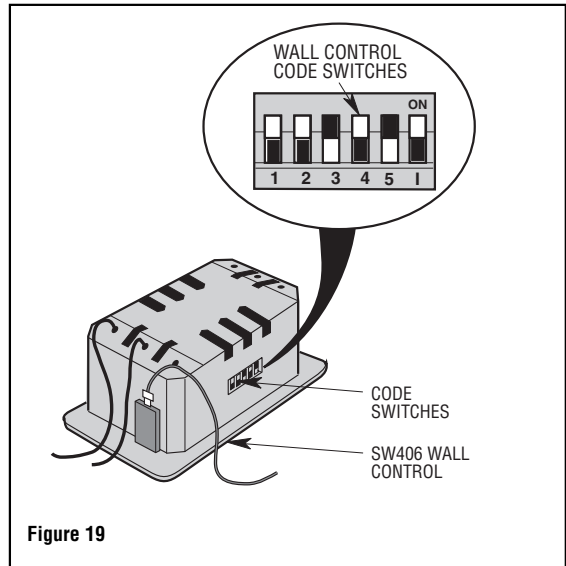
Your wall control has code switches which must be set in one of 32 possible code combinations (Figure 19). The five levers (numbered 1, 2, 3, 4, and 5) on the switches are factory-set in the ON (up) position. Change the switch settings as follows:

### 7.4

Slide the five switch levers in the wall control to your choice of ON (up) or down positions. Use a ball-point pen or small screwdriver and slide the levers firmly up or down.

### 7.5

The sixth switch marked ON and I is for dimming control of the lights: Set this switch to I for no dimming of the supplied LED light kit. THE SUPPLIED LED LIGHT KIT IS NOT DIMMABLE. Dimming the LED light kit will cause early failure and void the warranty.



## SINGLE-POLE INSTALLATION

**CAUTION:** To reduce the risk of electrical shock, disconnect the electrical supply circuit before installing the fan, light kit or receiver.

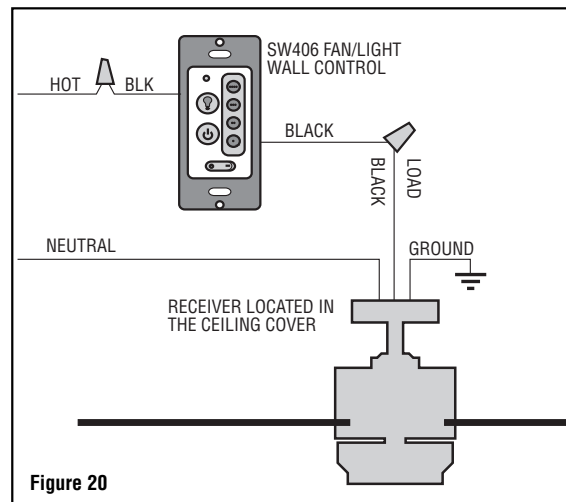
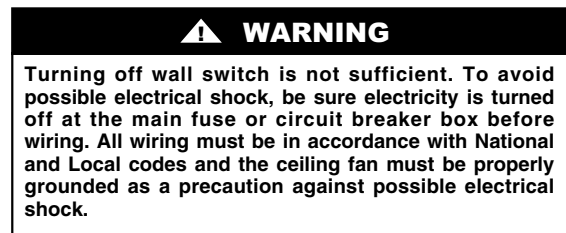
**NOTE:** Make all wiring connections using wire connectors (supplied). Make sure that all connections are tight, including ground, and that no bare wire is visible at the wire connectors, except for the ground wire.

### 7.6

Disconnect electrical power to the branch circuit at the circuit breaker or fuse box before attempting to install the ceiling fan wall control into the outlet box.

### 7.7

Remove faceplate and screws from existing wall control. Pull control out from the wall box. Determine the “hot” wire and the “load” wire and disconnect these wires from control (Figure 20). Do not attempt to disconnect any wires not already connected to existing control.



# 7. Wall Control Procedures (continued)

## SINGLE-POLE INSTALLATION (continued)

### 7.8

Before installing wall control, place wall control in “OFF” mode by pushing “ON/OFF” switch to the “OFF” position.

### 7.9

Connect one black wire of wall control to the “hot” wire. Securely connect wires with wire connectors supplied (Figure 21).

### 7.10

Connect one black wire of wall switch to the “load” (black) wire in wall box. Securely connect wires with wire connector supplied.

### 7.11

Screw wall control into wall box using the supplied screws. Leave wall control in “OFF” mode until fan installation is completed.

#### ! WARNING

Check to see that all connections are tight and that no bare wires are visible at the wire connectors.

### 7.12

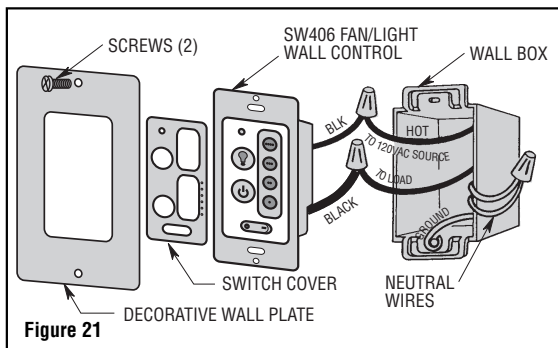
The wall control is supplied with a white, ivory, and almond color switch covers. Choose the finish that best suits your needs and snap the cover onto the wall control (Figure 21).

### 7.13

Install decorator wall plate using the two screws provided with wall plate. Leave wall control in “OFF” mode until fan installation is completed (Figure 21).

#### ! WARNING

Do not connect any neutral (white) wire to this control. Incorrect wiring will damage this control.



## 3-WAY INSTALLATION

(One fan controlled by two different wall controls) (See Figures 22 and 23.) Requires purchase of accessory SW406 wall control.

#### ! WARNING

Turning off wall switch is not sufficient. To avoid possible electrical shock, be sure electricity is turned off at the main fuse or circuit breaker box before wiring. All wiring must be in accordance with National and Local codes and the ceiling fan must be properly grounded as a precaution against possible electrical shock.

### 7.14

Disconnect electrical power to the branch circuit at the circuit breaker or fuse box before attempting to install the ceiling fan wall control into the outlet box.

### 7.15

At all wall box locations remove faceplates and screws from existing controls. Pull controls out from wall boxes and determine which wall box contains the “hot” lead and which wall box contains the “load” wire. Also, identify traveler wires which are common to both wall boxes. Disconnect wires from existing controls only. Do not attempt to disconnect any wires not already connected to existing controls.

### 7.16

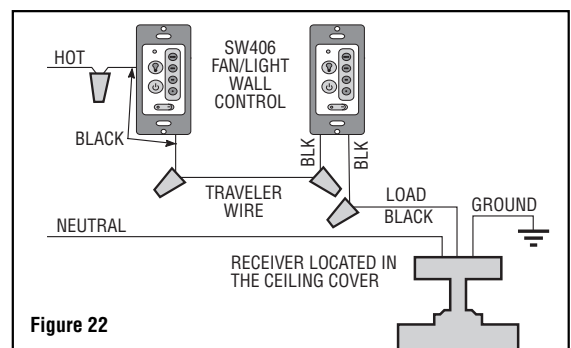
Before installing wall control, place wall control in “OFF” mode by pushing “ON/OFF” switch to the “OFF” position.

### 7.17

Install a wall control in the wall box containing the “hot” wire first. Connect the black wire of the wall control to the “hot” wire. Securely connect wires with wire connectors supplied.

### 7.18

Connect one black wire of the wall control to both remaining traveler wires in the wall box and secure with wire connector supplied.





# 7. Wall Control Procedures (continued)

## 3-WAY WIRING DIAGRAM: NEW CONSTRUCTION

**NOTE:** Retrofit 3-way installations are likely to include two traveler wires between the two wall boxes. In new construction, only one traveler wire is required (See Figure 23).

### **WARNING**

Check to see that all connections are tight and that no bare wires are visible at the wire connectors.

## 7.19

Screw wall control into wall box using the supplied screws. Leave wall control in “OFF” mode until fan installation is completed.

## 7.20

The wall control is supplied with a white, ivory, and almond color switch covers. Choose the finish that best suits your needs and snap the cover onto the wall control (Figure 23).

## 7.21

Next, install the other wall control into the wall box containing the load wire. Connect the black wire of the wall control to the traveler wire(s) already connected to the black wire (in the other wall box). Secure with wire connectors supplied.

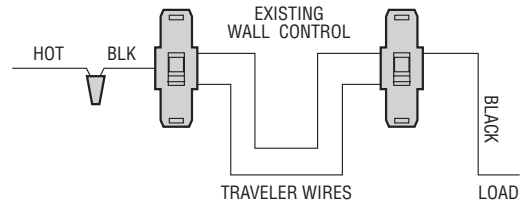
## 7.22

Connect one black wire of the wall control to the “load” (black) wire and secure with wire connector supplied.

## 7.23

Connect one black wire of the wall control to both remaining traveler wires in the wall box and secure with wire connector supplied.

## STANDARD WIRING FOR EXISTING 3-WAY CONTROLS



## 3-WAY WIRING DIAGRAM: RETROFIT

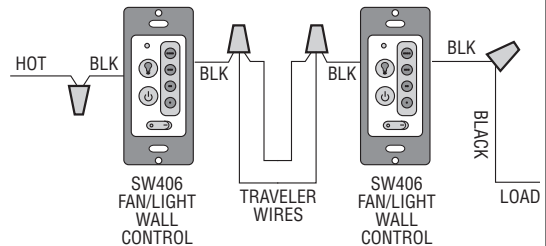


Figure 23

# 7. Wall Control Procedures (continued)

## PROGRAMMING THE RECEIVER OPERATING FREQUENCY & HIGH SPEED CONDITIONING OF FAN CONTROL

### 7.24

Within 1 minute of restoring electricity to the ceiling fan, push and hold the fan OFF button (⏻) for 3 to 5 seconds to set the code in the receiver. The ceiling fan lights (if installed) will blink to indicate the transmitted has been paired with the receiver.

### 7.25

If programming is unsuccessful, retry the above instructions after cycling the wall control ON/OFF switch to restart the 1 minute programming time period.

### 7.26

If still unsuccessful, shut off the electricity at the fuse box or breaker panel and change the wall control frequency (step 7.3, page 15). After changing the frequency settings, repeat instruction #1 (step 7.24) of this section within one minute of restoring the electricity.

## USING YOUR CEILING FAN

Your wall control has full control of your fan and light.

**NOTE:** Prior to operation of the fan and light from the wall control, set the fan speed to HIGH (----) and turn the light ON (💡).

### 7.27

To set the desired fan speed, press one of the four buttons (-, .., ..., ----) to operate your fan on from low to high speeds (Figure 24).

### 7.28

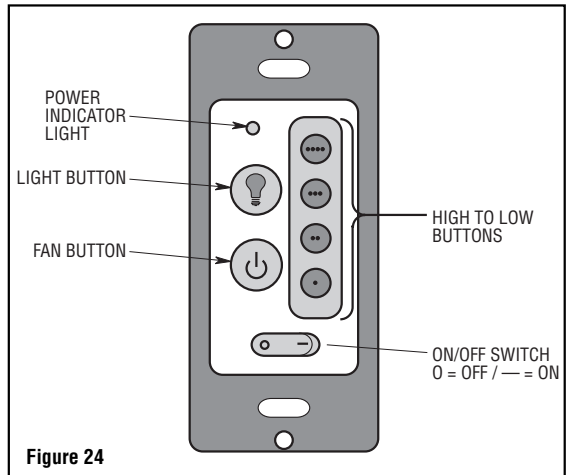
To turn the light on and off, press and release the LIGHT (💡) button.

### 7.29

Your fan is now wired to be turned on and off from the fan switch.

## ⚠ WARNING

Fan installation must be completed, including the installation of the fan blades, before testing the remote control.



## 8. Maintenance

### IMPORTANT CARE INSTRUCTIONS for your Ceiling Fan

Periodic cleaning of your new ceiling fan is the only maintenance that is needed.

When cleaning, use only a soft brush or lint free cloth to avoid scratching the finish.

Abrasive cleaning agents are not required and should be avoided to prevent damage to finish.

### **WARNING**

Do not use water when cleaning your ceiling fan. It could damage the motor or the blades and create the possibility of an electrical shock.

## 9. Accessories

Ceiling Fan/Light Controls (see store or catalog).

Downrod Extension Kits (see store or catalog).

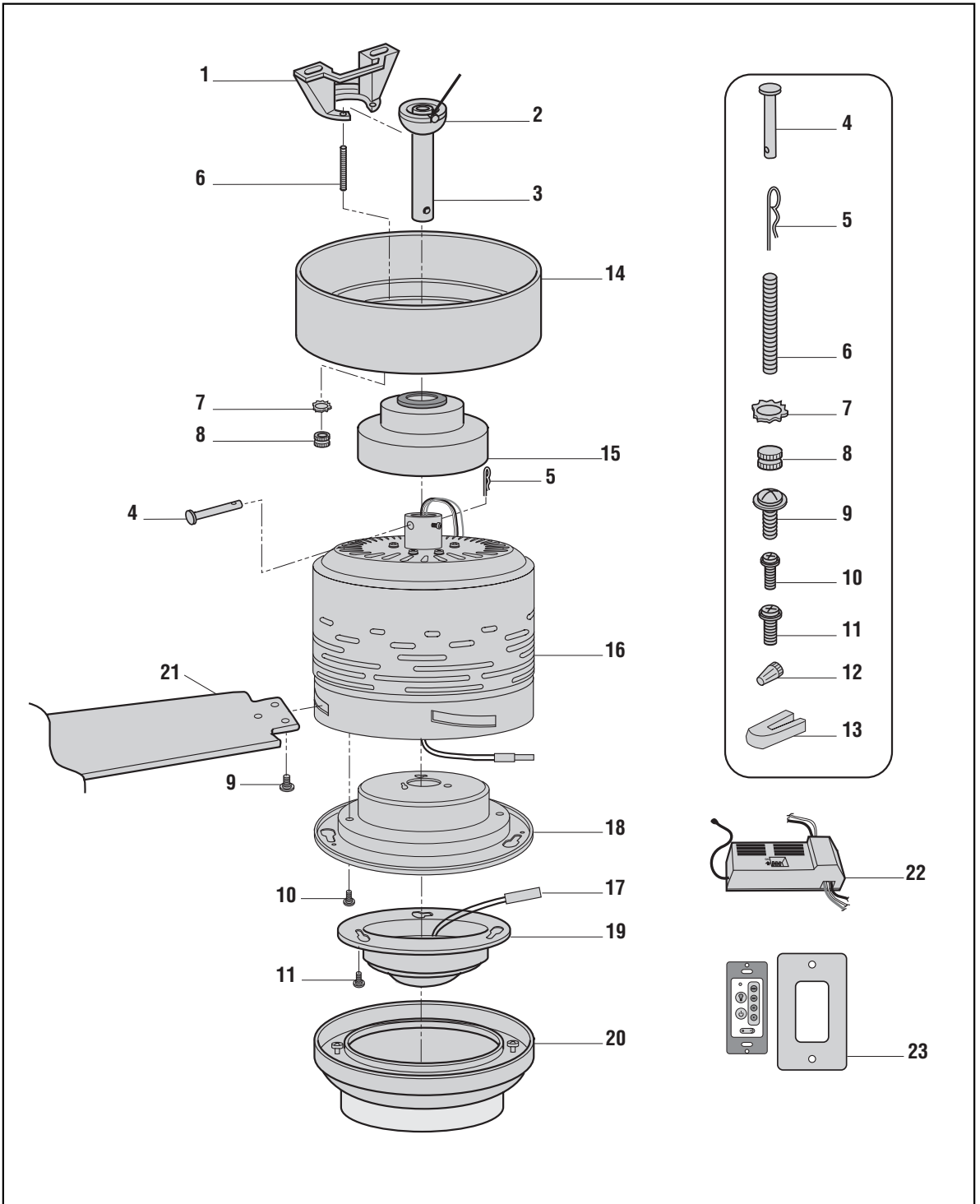
### **WARNING**

The use of any other control not specifically approved for this fan could result in fire, shock and personal injury.

### **WARNING**

This product is designed to use only those parts supplied with this product and/or any accessories designated specifically for use with this product by Emerson Electric Co. Substitution of parts or accessories not designated for use with this product by Emerson Electric Co. could result in personal injury or property damage.

# 10. Repair Parts



# 10. Repair Parts Listing

Key No.	Description	Model Numbers		
		CF430BS00	CF4300RB00	CF430SW00
*	Hanger Ball Assembly, Consisting of:	761655-17	761655-32	761655-92
1	Hanger Bracket	—	—	—
2	Hanger Ball	—	—	—
3	Downrod (4.5")	—	—	—
*	Parts Bag Containing:	764535-CRM	764535-BL	764535-CRM
4	Pin, Clevis (1)	—	—	—
5	Clip, Hairpin (1)	—	—	—
6	Threaded Stud, #8 - 32 x 1-1/4" (2)	—	—	—
7	Lockwasher, External Tooth #8 (2)	—	—	—
8	Knurled Knob, #8 - 32 (2)	—	—	—
9	Screw, Washer Head, #8 - 32 x 11mm (10)	—	—	—
10	Screw, Truss Head, #6 - 32 x 3/8" (1)	—	—	—
11	Screw, Truss Head, #8 - 32 x 3/8" (1)	—	—	—
12	Wire Connector (5)	—	—	—
13	Balancing Kit (1)	—	—	—
14	Ceiling Cover (1)	764503-BS	764503-ORB	764503-SW
15	Coupler Cover (1)	764504-BS	764504-ORB	764504-SW
16	Fan Motor Assembly (1)	—	—	—
17	Wiring Harness (1)	764506-BLK	764506-WHT	764506-BLK
18	Light Kit Plate Adapter (1)	764519-WW	764519-WW	764519-WW
19	Light Fixture Assembly, LED (1)	764520	764520	764520
20	Glass Shade Assembly (1)	764525-BS	764525-ORB	764525-SW
21	Fan Blades (set of 4)	764517-NC/DM	764517-NC/DM	764517-SW/MP
22	Receiver, RCFP (1)	RCFP	RCFP	RCFP
23	Wall Control, SW406 (1)	SW406	SW406	SW406
—	Owner's Manual	BP7486	BP7486	BP7486

**Before discarding packaging material, be certain all parts have been removed.**

## HOW TO ORDER REPAIR PARTS

WHEN ORDERING REPAIR PARTS, ALWAYS GIVE THE FOLLOWING INFORMATION:

- PART NUMBER
- NAME OF ITEM
- PART DESCRIPTION
- MODEL NUMBER

The model number of your Fan will be found on a label attached to the top housing.

For repair parts, phone 1-800-654-3545.

# 11. Trouble Shooting

**⚠ WARNING: FOR YOUR OWN SAFETY TURN OFF POWER AT FUSE BOX OR CIRCUIT BREAKER BEFORE TROUBLE SHOOTING YOUR FAN.**

TROUBLE	PROBABLE CAUSE	SUGGESTED REMEDY
1. Fan will not start.	<ol style="list-style-type: none"> <li>1. Fuse or circuit breaker blown.</li> <li>2. Loose power line connections to the fan, or loose switch wire connections in the switch housing.</li> <li>3. Reversing switch in neutral position.</li> </ol>	<ol style="list-style-type: none"> <li>1. Check main and branch circuit fuses or circuit breakers.</li> <li>2. Check line wire connections to fan and switch wire connections in the switch housing. <b>⚠ WARNING: Make sure main power is turned OFF.</b></li> <li>3. Make sure reversing switch position is all the way to one side.</li> </ol>
2. Fan sounds noisy.	<ol style="list-style-type: none"> <li>1. Blades not attached to fan.</li> <li>2. Loose screws in motor housing.</li> <li>3. Wire connectors inside switch housing rattling.</li> <li>4. Screws holding blades to flywheel are loose.</li> </ol>	<ol style="list-style-type: none"> <li>1. Attach blades to fan before operating.</li> <li>2. Check to make sure all screws in motor housing are snug (not over-tight).</li> <li>3. Check to make sure wire connectors in switch housing are not rattling against each other or against the interior wall of the switch housing. <b>⚠ WARNING: Make sure main power is turned OFF.</b></li> <li>4. Tighten screws securely.</li> </ol>
3. Fan wobbles excessively.	<ol style="list-style-type: none"> <li>1. Setscrew in motor coupling is loose.</li> <li>2. Setscrew in hanger ball/downrod assembly is loose.</li> <li>3. Screws securing fan blades to flywheel are loose.</li> <li>4. Hanger bracket and/or ceiling outlet box is not securely fastened.</li> <li>5. Fan blades out of balance.</li> </ol>	<ol style="list-style-type: none"> <li>1. Tighten both setscrews securely in the motor coupling.</li> <li>2. Tighten the setscrew in the hanger ball/downrod assembly.</li> <li>3. Check to be sure screws which attach the fan blades to the motor are tight.</li> <li>4. Tighten the hanger bracket screws to the outlet box, and/or secure outlet box.</li> <li>5. Interchanging an adjacent (side-by-side) blade pair can redistribute the weight and result in smoother operation.</li> </ol>

# 12. Remote Control Trouble Shooting

## Fan/Light Fails to Operate

- Check that the speed switch on the fan is set to (.....) speed.
- Check that the wall switch is on.
- Check that the battery is good (blue indicator light should light when any button is pressed).
- Check that the receiver is wired properly.
- Check that code switches in the remote control and receiver are set in the same position.

Re-program the remote controls per section 7.0, instructions 7.24 thru 7.26.

## Short Range

- If the remote control operates the fan when close to it, but does not operate it at a distance of 30 feet, try placing the antenna wire outside of the ceiling cover.

# Emerson Air Comfort Ceiling Fan Limited Warranty

## What The Limited Warranty Covers:

This limited warranty is offered by Air Comfort Products division of Emerson Electric Co. ("**Emerson**" "**we**" or "**us**") located at the address stated below to the original retail purchaser ("**you**" or "**your**") of an Emerson Air Comfort Ceiling Fan product ("**Emerson Ceiling Fan**") and covers the motor and the other components and accessories of the Emerson Ceiling Fan against all defects in workmanship and materials.

## What The Period Of Coverage Is:

This limited warranty will cover the Emerson Ceiling Fan motor for the expected lifetime of your Emerson Ceiling Fan (when operated in accordance with your Owner's Manual or other instructions provided by Emerson to you with the Emerson Ceiling Fan). All other components and accessories of the Emerson Ceiling Fan are covered by this limited warranty for a period of one (1) year from its date of original retail purchase. ANY IMPLIED WARRANTY, INCLUDING WITHOUT LIMITATION, ANY IMPLIED WARRANTY OF MERCHANTABILITY OR FITNESS FOR A PARTICULAR PURPOSE THAT IS AVAILABLE TO YOU UNDER THE LAWS OF YOUR STATE OR PROVINCE SHALL COVER THE MOTOR FOR THE EXPECTED LIFETIME OF THE MOTOR (SUBJECT TO PROPER USE), AND FOR ONE YEAR WITH RESPECT TO COMPONENTS AND ACCESSORIES.

## No Other Express or Implied Warranty Applies:

THE LIMITED WARRANTIES PROVIDED ABOVE ARE THE SOLE AND EXCLUSIVE WARRANTIES PROVIDED BY EMERSON TO YOU FOR YOUR EMERSON CEILING FAN, AND ARE IN LIEU OF ALL OTHER WARRANTIES, WRITTEN OR ORAL, EXPRESS OR IMPLIED, WHETHER ARISING BY OPERATION OF LAW OR OTHERWISE, WHETHER OR NOT THE PURPOSE HAS BEEN DISCLOSED AND WHETHER OR NOT THE EMERSON CEILING FAN HAS BEEN SPECIFICALLY DESIGNED OR MANUFACTURED FOR YOUR USE OR PURPOSE. EMERSON HEREBY DISCLAIMS ANY AND ALL IMPLIED WARRANTIES, INCLUDING WITHOUT LIMITATION, IMPLIED WARRANTIES OF MERCHANTABILITY OR FITNESS FOR A PARTICULAR PURPOSE FOR COMPONENTS AND ACCESSORIES AS OF THE EXPIRATION OF THE ONE YEAR WARRANTY PERIOD FOR SUCH COMPONENTS AND ACCESSORIES. IMPLIED WARRANTIES OF MERCHANTABILITY OR FITNESS FOR A PARTICULAR PURPOSE FOR THE MOTOR PORTION OF THE EMERSON CEILING FAN ARE LIKEWISE DISCLAIMED BY EMERSON AT SUCH TIME THAT THE EXPECTED LIFETIME OF THE EMERSON CEILING FAN UNDER NORMAL USAGE HAS BEEN REACHED. EXCLUSIONS OR LIMITATIONS OF IMPLIED WARRANTIES MAY VARY FROM STATE TO STATE AND PROVINCE TO PROVINCE SO THE ABOVE LIMITATIONS MAY NOT APPLY TO YOU.

## What We Will Do To Correct Problems:

If during the one (1) year warranty period the motor or any component or accessory of your Emerson Ceiling Fan is defective in materials or workmanship, or if during the expected lifetime of the Emerson Ceiling Fan (when used in accordance with the User Manual or other instructions) the motor is defective in materials or workmanship, you must contact Emerson during the applicable warranty period. If the defect is covered by warranty, Emerson will repair or replace the defective motor, component or other accessory at no charge to you. If repair of the motor, component or accessory is not practical or possible within a reasonable time and no replacement Emerson Ceiling Fan can be provided, Emerson will refund to you the actual purchase price of your Emerson Ceiling Fan. We will ship the repaired or the replacement Emerson Ceiling Fan to you at no charge, but you are responsible for all costs of removal and reinstallation of your Emerson Ceiling Fan.

## How You Can Receive Warranty Service:

You must be the original retail purchaser and have proof of your purchase of the Emerson Ceiling Fan to obtain your remedy under this limited warranty. You can return your Emerson Ceiling Fan to your place of purchase, or you can call Emerson Customer Service at 1-800-237-6511 to obtain a return authorization and service identification tag. In order for us to confirm that your Emerson Ceiling Fan is still under warranty, please retain your receipt or other proof of purchase and have that information readily available when returning your Emerson Ceiling Fan to your place of purchase, or upon calling Emerson Customer Service. If you call Emerson Customer Service, prior to your call please be prepared to provide all model numbers shown on your Emerson Ceiling Fan. Once we have processed your return authorization request, we will provide you with a postage paid return label which should be affixed to the Emerson Ceiling Fan package you ship to the address listed at the end of this limited warranty. The return label will be sent to the mailing address you provide to us by phone.

## What Is Not Covered:

### This limited warranty does not extend to and expressly excludes:

- The glass globes and light bulbs of your Emerson Ceiling Fan,
- Loss or damage to the motor or any component or accessory caused by normal wear and tear, rather than due to defects in materials or workmanship,
- Loss or damage resulting from conditions beyond our reasonable control, including without limitation, repairs not made at our factory or authorized service center, use of parts or accessories not provided to you as part of this warranty by our factory or authorized service center, mishandling, unreasonable use, misuse, abuse, modifications or other damage caused by you or a third party to your Emerson Ceiling Fan while not in our possession,
- Loss or damage resulting from improper installation, or other failure to comply with instructions in your Owner's Manual.

This limited warranty is deemed null and void upon the occurrence of either of the following events:

- You cease to own the Emerson Ceiling Fan product, or
- The Emerson Ceiling Fan is moved from its original point of installation.

This limited warranty is only valid within the 50 United States, the District of Columbia, and Canada. No other written or oral warranties apply, and no employee, agent, dealer or other person is authorized to give any warranties on behalf of Air Comfort Products or Emerson Electric Co.

## Limitation of Liability

REPAIR, REPLACEMENT OR A REFUND ARE THE EXCLUSIVE REMEDIES AVAILABLE TO YOU UNDER THIS LIMITED WARRANTY. TO THE EXTENT PERMITTED BY LAW, IN NO EVENT SHALL EMERSON OR ANY EMERSON AUTHORIZED DEALER BE LIABLE FOR ANY INCIDENTAL, SPECIAL, INDIRECT, OR CONSEQUENTIAL DAMAGES, INCLUDING ANY ECONOMIC LOSS, WHETHER RESULTING FROM NONPERFORMANCE, USE, MISUSE OR INABILITY TO USE THE EMERSON CEILING FAN OR FOR THE NEGLIGENCE OF EMERSON OR AN EMERSON AUTHORIZED DEALER. EMERSON SHALL NOT BE LIABLE FOR DAMAGES CAUSED BY DELAY IN PERFORMANCE AND IN NO EVENT, REGARDLESS OF THE FORM OF THE CLAIM OR CAUSE OF ACTION (WHETHER BASED IN CONTRACT, INFRINGEMENT, NEGLIGENCE, STRICT LIABILITY, OTHER TORT OR OTHERWISE), SHALL EMERSON'S OR ANY EMERSON AUTHORIZED AGENT'S LIABILITY TO YOU OR ANY INDIVIDUAL USING THE EMERSON CEILING FAN EXCEED THE PRICE PAID BY THE ORIGINAL OWNER FOR THE EMERSON CEILING FAN. The term "consequential damages" shall include, but not be limited to, loss of anticipated profits, business interruption, loss of use or revenue, cost of capital or loss or damage to property or equipment.

## How State and Provincial Law Relates To The Warranty:

Some states and provinces do not allow the exclusion or limitation of incidental or consequential damages so the above exclusion or limitation may not apply to you. This limited warranty gives you specific legal rights, and you may also have other rights which vary from state to state or province to province.

emersonfans.com

Please contact 1-800-654-3545 for further assistance

ETL Model No.: CF430



# EMERSON™

## **Air Comfort Products**

DIVISION OF EMERSON ELECTRIC CO.  
8100 W. Florissant • St. Louis, MO 63136

Questions, problems, missing parts: Before returning to the store call  
Emerson Electric Customer Service  
8 a.m. - 6 p.m., Eastern, Monday-Friday

**1-800-654-3545**

**[www.emersonfans.com](http://www.emersonfans.com)**

Retain this manual for future use.