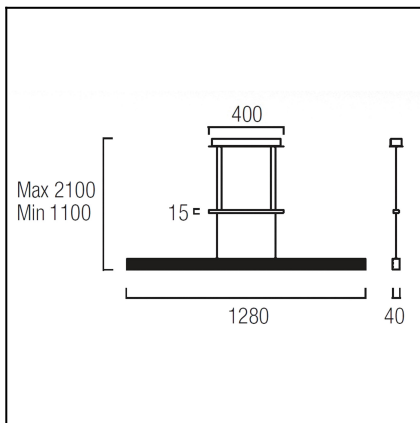


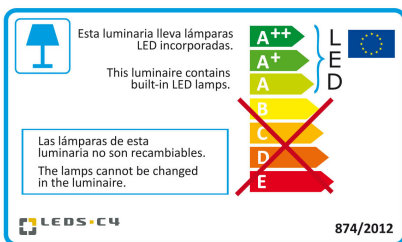
Design by Josep Patsí



The photograph may not match the reference exactly. Please read the product description to identify the finish.



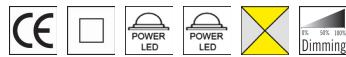
[Download photometric file .ldt / .ies](#)



[Click on image to download energy label](#)

TECHNICAL CHARACTERISTICS

Type:	Pendant
IP Protection degrees:	IP20
Light source 1:	1 x LED 27,5W (Down) Warm White - 3000K 2640 lm ^(N) CRI 80
Light source 2:	1 x LED 12.5W (Up) Warm White - 3000K 1200 lm ^(N)
Voltage / Frequency:	100-240V/50-60Hz
Warranty (Years):	2
Option to extend the guarantee (Years):	5
Units per box:	1
Net Weight (Kg):	5.225
EAN:	8435381414917



MATERIALS / FINISHES

Structure material:	Polyurethane	Diffuser material:	Methacrylate
Structure finish:	Matt white	Diffuser finish:	Opal

GEAR

Multi-voltage electronic gear included (100-240V / 50-60Hz)
Dimming protocol: Touch dimmer

Lm^(N): Nominal flow of light in actual working conditions. Its actual flow will depend on the environmental conditions and the efficiency of the optics and/or diffuser.

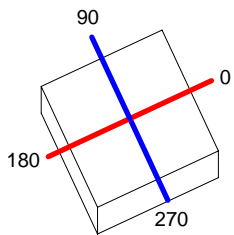
LEDS-C4 reserves the right to make the necessary technical changes they deem adequate, in order to improve the features of the product.
Please consult the sales team to clarify any doubt.

(+34) 973 468 100
leds-c4@leds-c4.com
www.leds-c4.com

Luminaire		Measur.		Lamp		
Code	05-2924-BW-M3	Code	05-2924-BW-M3	Code	05-2924-BW-M3	
Name	Aplique STREAM led 4W	Name	Aplique STREAM led 4W	Number	1	
Line	- LEDS C4 LEDS	Date	07-07-2014	Position	Universal	
Efficiency	100.00%	Coordinate system	CG	Total Flux	271.66 lm	
Maximum value	57.52 cd	Position	C=90.00 G=5.00	Sym. on planes	270-90	
Rectangular Luminaire	Length	80 mm	Width	80 mm	Height	80 mm
Rectangular Luminous Area	Length	45 mm	Width	65 mm	Height	80 mm
Horizontal Luminous Area	0.002925 m2	Emitting area on Plane 180°	0.003600 m2			
Emitting area on Plane 0°	0.003600 m2	Emitting area on Plane 270°	0.005200 m2			
Emitting area on Plane 90°	0.005200 m2	Glare area at 76°	0.004201 m2			
Symmetry Type	Sym. on planes 270-90	Maximum Gamma Angle	180			
Measurement Distance	6.44	Measurement Flux	271.66 lm			
Operator	Asselum T2	Source voltage	230.00 V			
Temperature	25.00 °C	Source current	Prc			
Humidity	57.00 %	Photocell				
Notes						

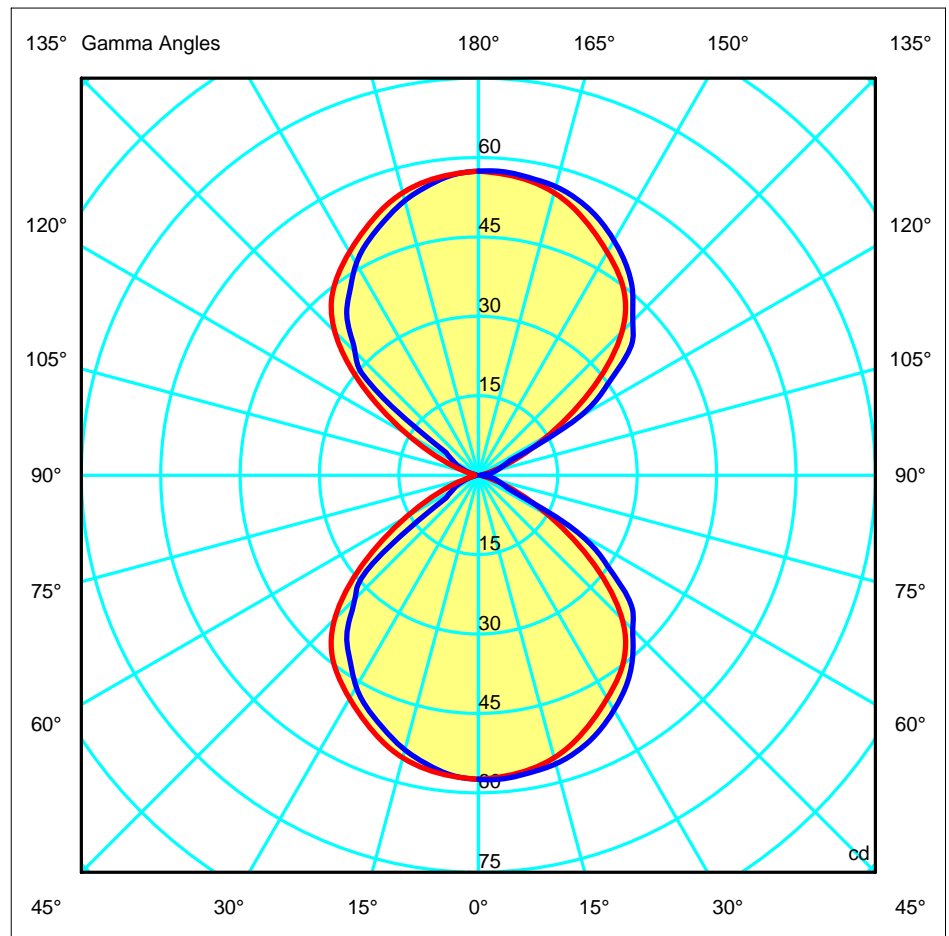
Luminaire Lamps						
Line	Code	Name	Flux [lm]	Pow. [W]	Q.ty	
- LEDS C4 LEDS	05-2924-BW-M3	Lámpara led 4W	271.66	4.00	1	
C.I.E.	57 91 98 50 100	D DIN 5040	C41			
F UTE	0.50 C + 0.50 T	B NBN	BZ 3			

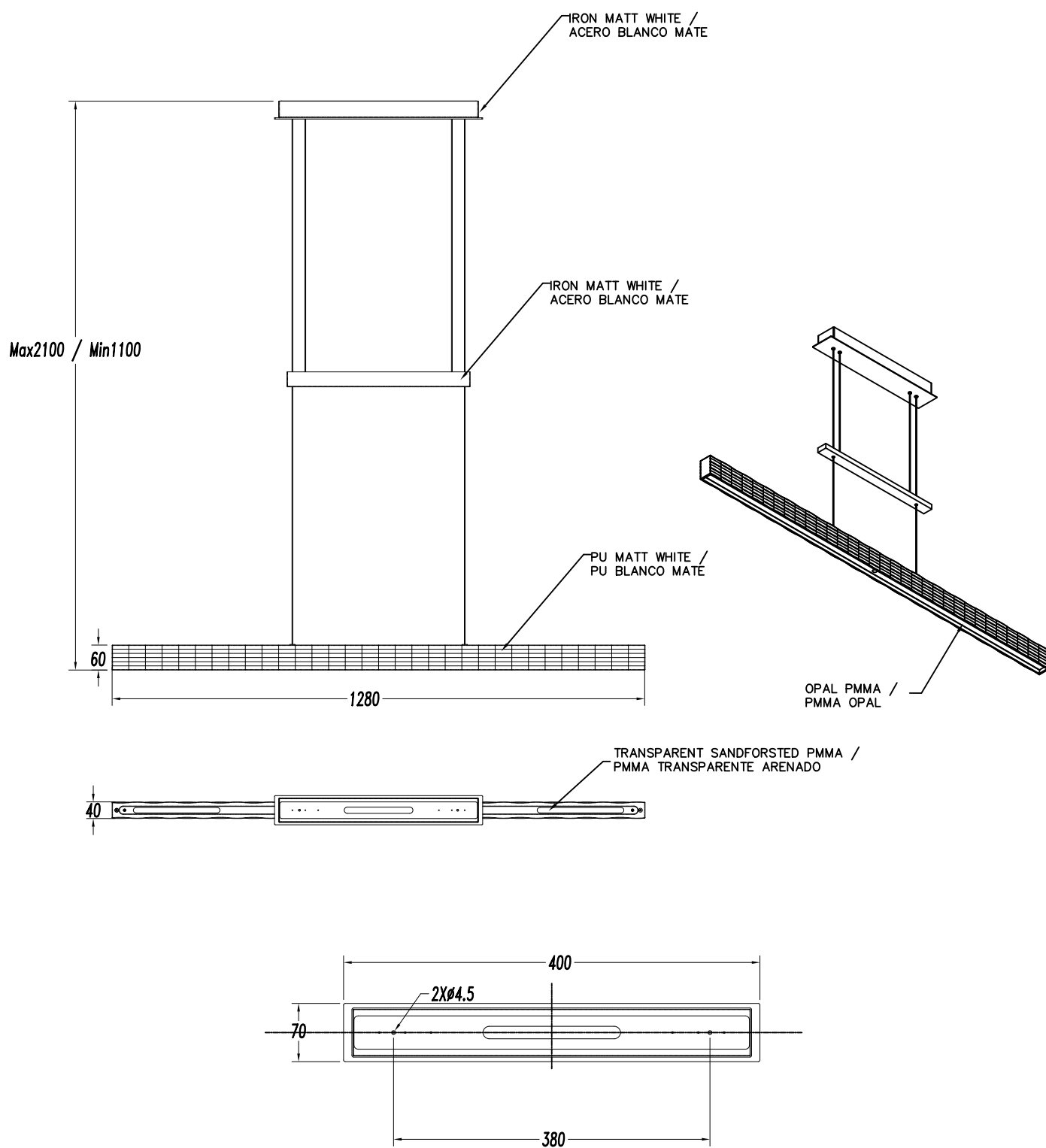
80mm x 80mm



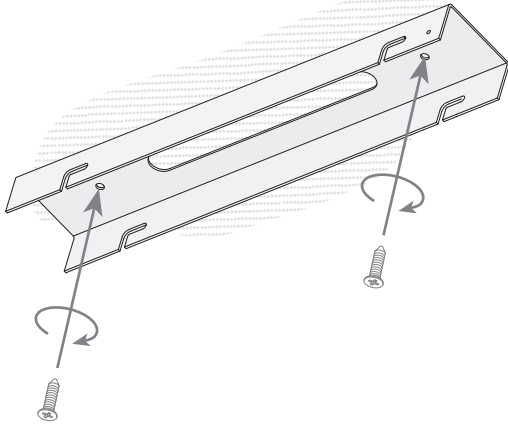
C Halfplanes
 270.0 ——— 0.0
 180.0 ——— 90.0

ULOR 50.00 %
 DLOR 50.00 %
 RN 50.00 %

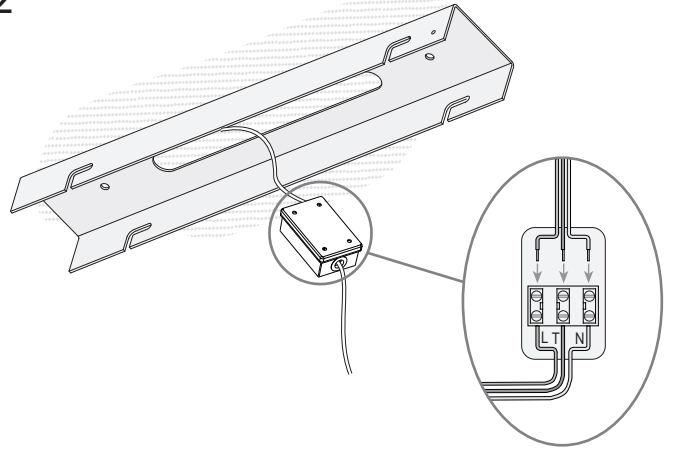




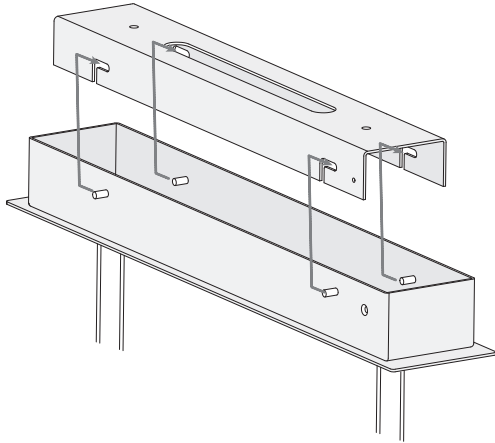
1



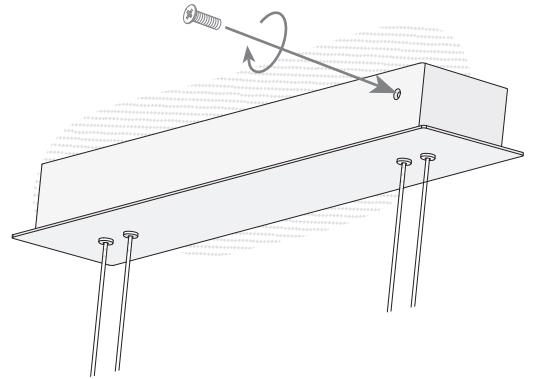
2



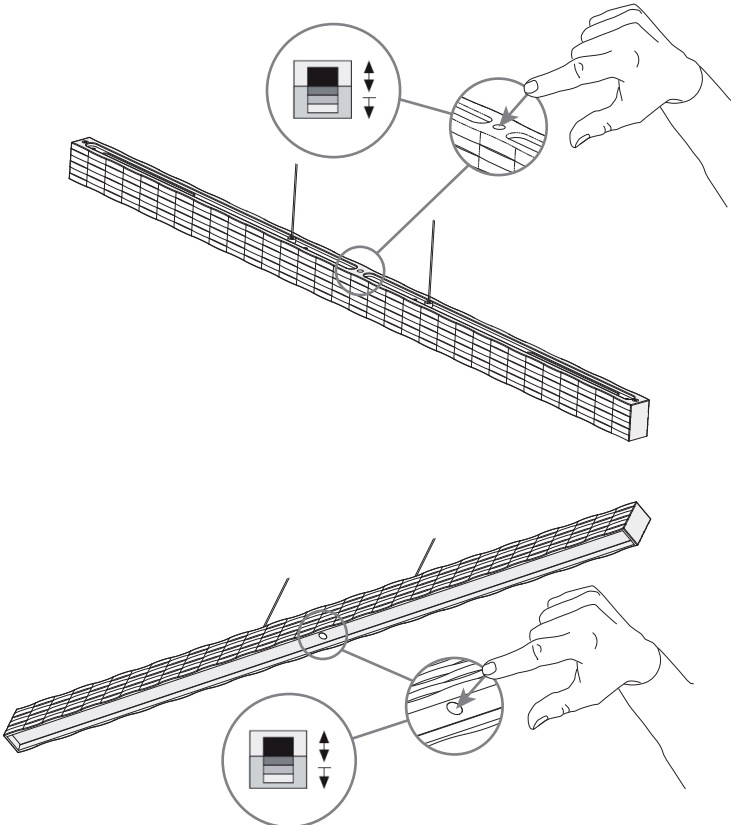
3



4



5



6

