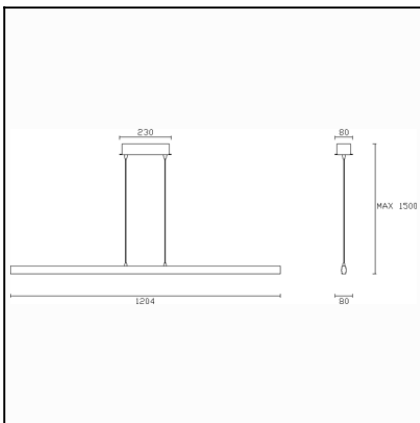


The photograph may not match the reference exactly. Please read the product description to identify the finish.



TECHNICAL CHARACTERISTICS

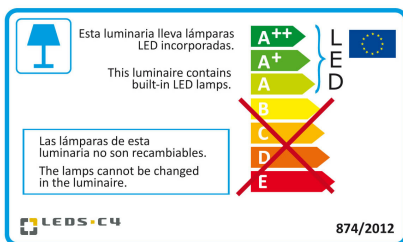
Type:	Pendant
IP Protection degrees:	IP20
Light source 1:	120 x LED Cree 32.4W Warm White - 3000K 3860 lm ^(N) CRI 80
Voltage / Frequency:	100-240V/50-60Hz
Warranty (Years):	2
Option to extend the guarantee (Years):	5
Units per box:	4
Net Weight (Kg):	1.38
EAN:	8435381413026



MATERIALS / FINISHES

Structure material:	Aluminium Steel	Diffuser material:	Acrylic
Structure finish:	Matt white	Diffuser finish:	Matt opal

[Download photometric file .ldt /.ies](#)



[Click on image to download energy label](#)

GEAR

Multi-voltage electronic gear included (100-240V / 50-60Hz)

Lm^(N): Nominal flow of light in actual working conditions. Its actual flow will depend on the environmental conditions and the efficiency of the optics and/or diffuser.

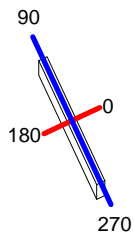
Leds-c4 reserves the right to make the necessary technical changes they deem adequate, in order to improve the features of the product.
Please consult the sales team to clarify any doubt.

(+34) 973 468 100
leds-c4@leds-c4.com
www.leds-c4.com

Luminaire		Measur.		Lamp		
Code	00-3251	Code	00-3251	Code	LED	
Name	LED PENDANT LAMP	Name	LED PENDANT LAMP	Number	1	
Line	Road	Date	22-05-2014	Position		
Efficiency	25.48%	Coordinate system	CG	Total Flux	4100.00 lm	
Maximum value	570.71 cd	Position	C=270.00 G=1.00	Asymmetrical		
Rectangular Luminaire	Length	1204 mm	Width	80 mm	Height	1500 mm
Rectangular Luminous Area	Length	1204 mm	Width	80 mm	Height	1500 mm
Horizontal Luminous Area	0.096320 m2	Emitting area on Plane 180°		1.806000 m2		
Emitting area on Plane 0°	1.806000 m2	Emitting area on Plane 270°		0.120000 m2		
Emitting area on Plane 90°	0.120000 m2	Glare area at 76°		1.775656 m2		
Symmetry Type	Asymmetrical	Maximum Gamma Angle		90		
Measurement Distance	0.00	Measurement Flux		4100.00 lm		
Operator		Source voltage				
Temperature	25.00 °C	Source current				
Humidity	60.00 %	Photocell				
Notes						

Luminaire Lamps						
Line	Code	Name	Flux [lm]	Pow. [W]	Q.ty	
IESNA-1995	LED	XHG - 36.40 W	4100.00	36.40	1	
C.I.E.	58 85 97 100 25	D DIN 5040		A40		
F UTE	0.25 D	B NBN		BZ 3		

1204mm x 80mm



C Halfplanes

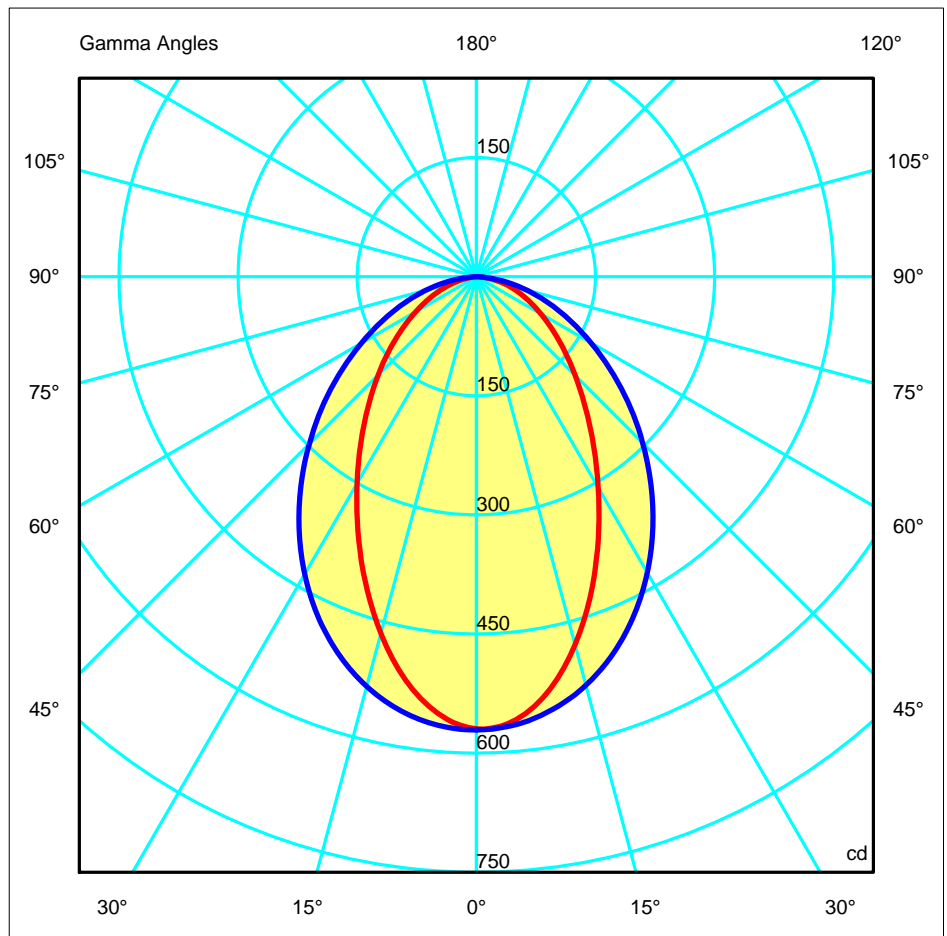
180.0 — 0.0

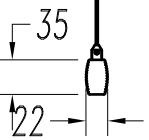
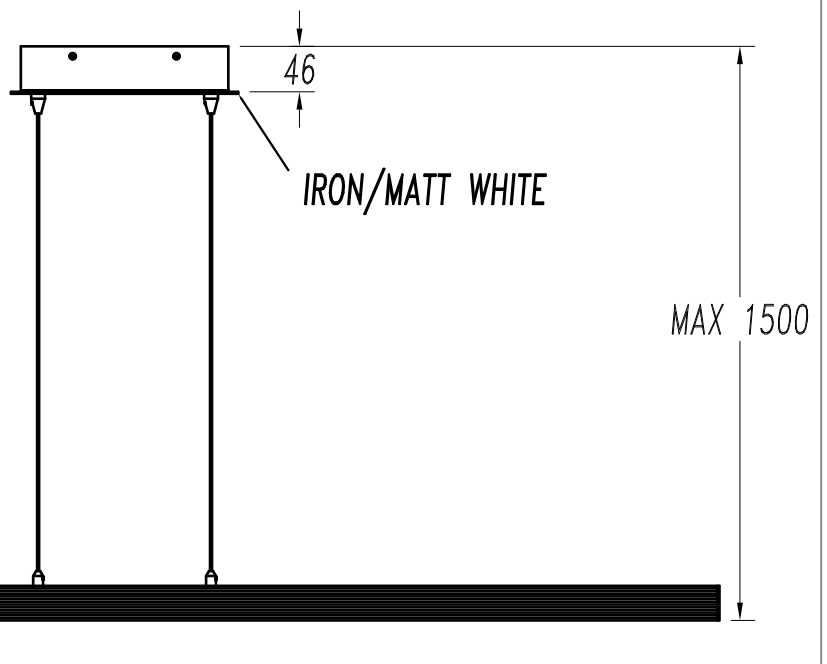
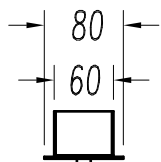
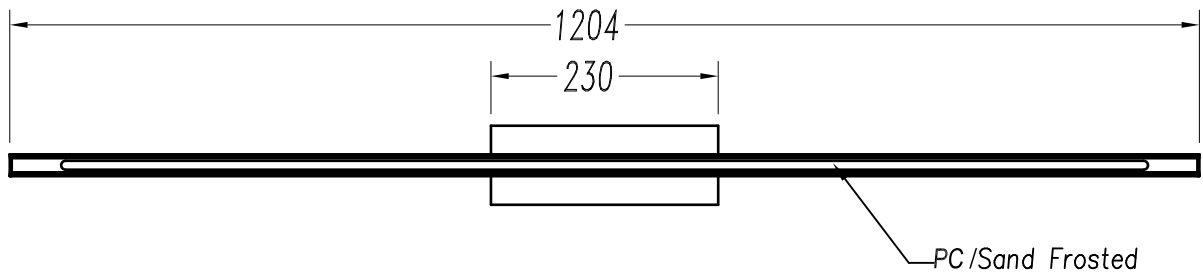
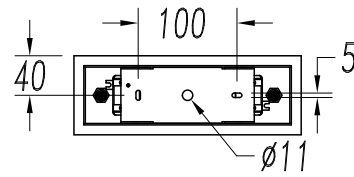
270.0 — 90.0

ULOR 0.00 %

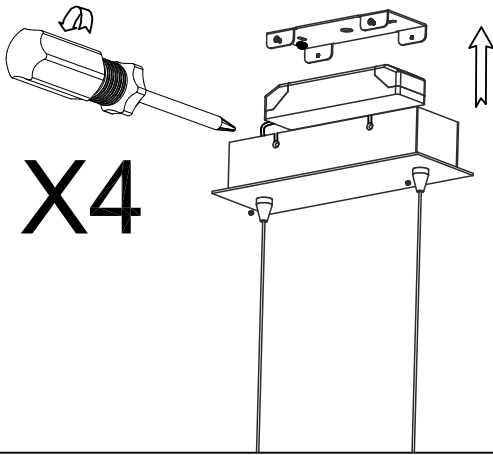
DLOR 25.48 %

RN 0.00 %

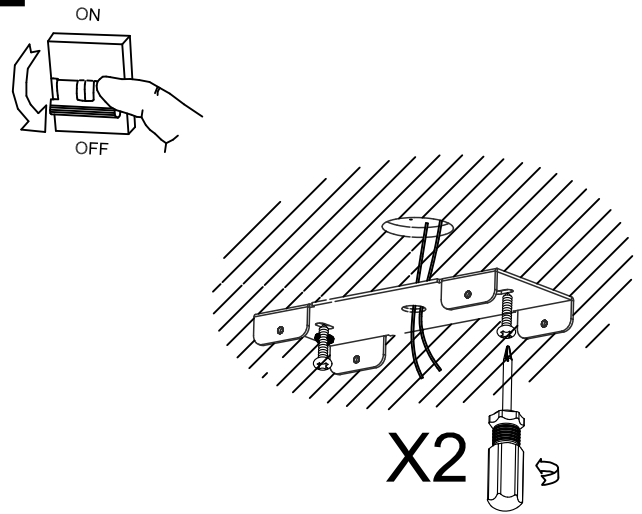




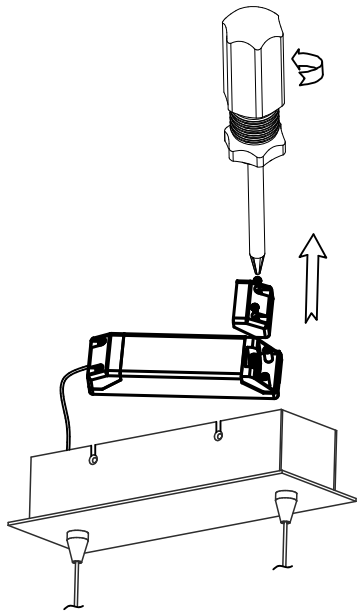
1



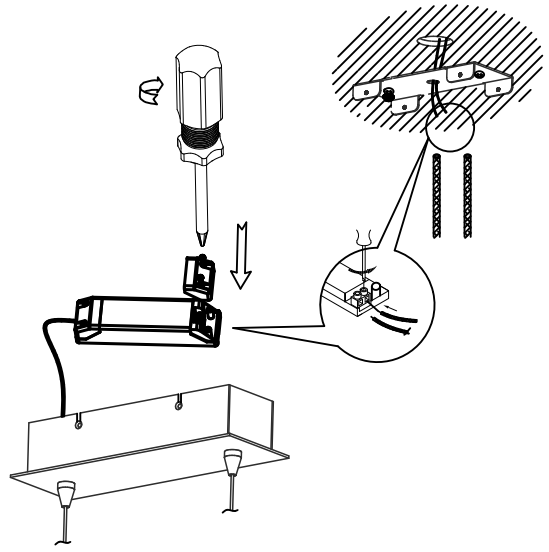
2



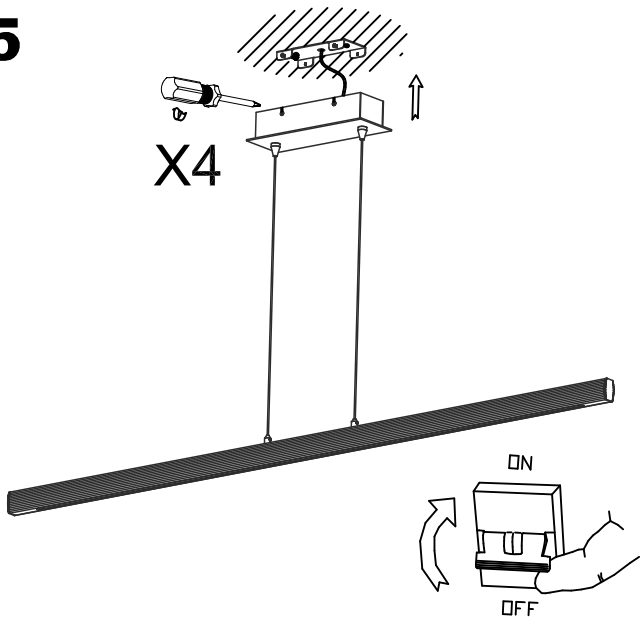
3



4



5



6

