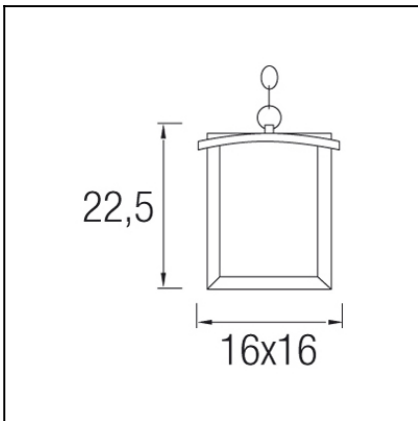




The photograph may not match the reference exactly. Please read the product description to identify the finish.



TECHNICAL CHARACTERISTICS

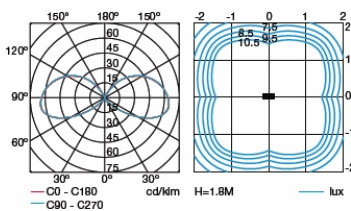
Type:	Pendant
IP Protection degrees:	IP23
Light source 1:	1 x E27 MAX 100W Maximum lamp length: 150.00 mm
Total power consumption (W):	100
Voltage / Frequency:	220-240V/50-60Hz
Warranty (Years):	2
Units per box:	6
Net Weight (Kg):	1.28
EAN:	8435381411466



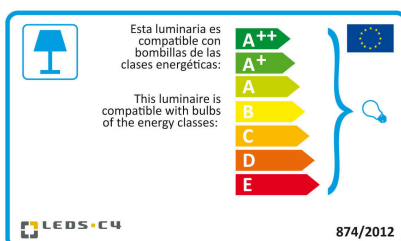
MATERIALS / FINISHES

Structure material:	Injected aluminium	Diffuser material:	Polycarbonate
Structure finish:	White	Diffuser finish:	Matt opal

PL 18W



Download photometric file .ldt /.ies



[Click on image to download energy label](#)

LEDS-c4 reserves the right to make the necessary technical changes they deem adequate, in order to improve the features of the product. Please consult the sales team to clarify any doubt.

71-9405-M3-M3



Structure material:

Polycarbonate

Structure finish:

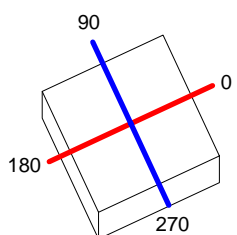
Matt

IP65

Luminaire		Measur.		Lamp		
Code	00-9298-14-M1	Code	00-9298-14-M1	Code	PLED15	
Name	MARK 14W Fluor E27	Name	MARK 14W Fluor E27	Number	1	
Line	Eulumdat	Date	24-12-2010	Position		
Efficiency	57.98%	Coordinate system	CG	Total Flux	800.00 lm	
Maximum value	70.76 cd	Position	C=30.00 G=85.00	Double Symmetrical		
Rectangular Luminaire	Length	150 mm	Width	150 mm	Height	220 mm
Rectangular Luminous Area	Length	150 mm	Width	150 mm	Height	160 mm
Horizontal Luminous Area	0.022500 m2	Emitting area on Plane 180°		0.024000 m2		
Emitting area on Plane 0°	0.024000 m2	Emitting area on Plane 270°		0.024000 m2		
Emitting area on Plane 90°	0.024000 m2	Glare area at 76°		0.028730 m2		
Symmetry Type	Double Symmetrical	Maximum Gamma Angle		180		
Measurement Distance	0.00	Measurement Flux		800.00 lm		
Operator	Asselum T3	Source voltage				
Temperature	25.00 °C	Source current				
Humidity	60.00 %	Photocell				
Notes						

Luminaire Lamps					
Line	Code	Name	Flux [lm]	Pow. [W]	Q.ty
Eulumdat	PLED15	PLED15 - 15.00 W	800.00	15.00	1
C.I.E.	2 16 53 47 58	D DIN 5040			
F UTE	--	B NBN			
		C12			
		BZ 10			

150mm x 150mm



C Halfplanes

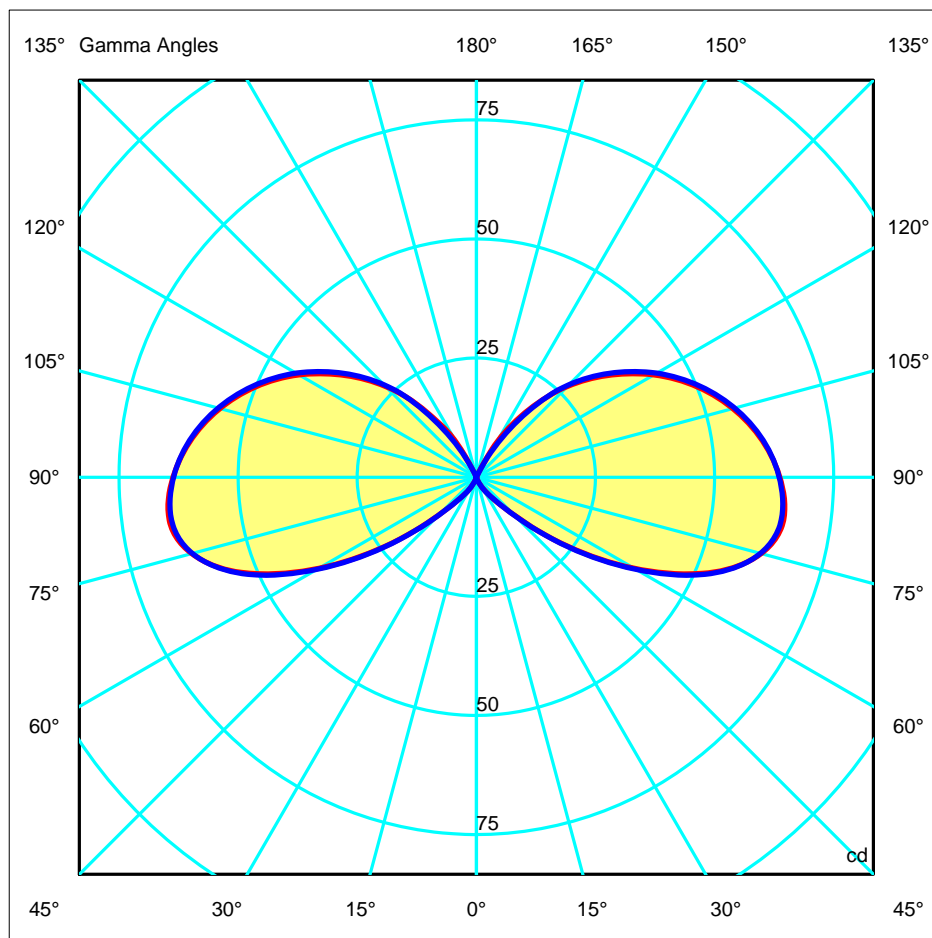
180.0 — 0.0

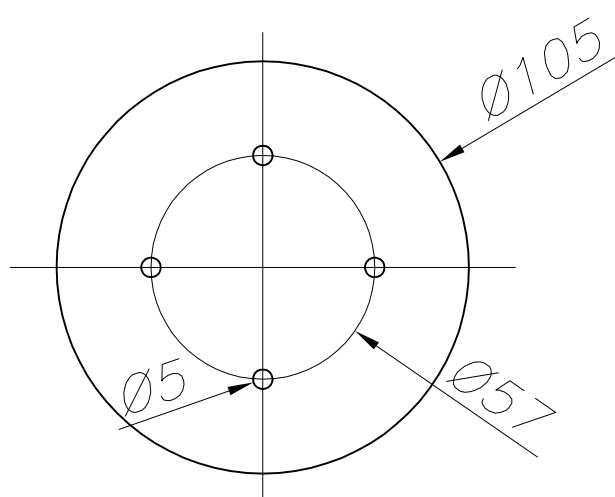
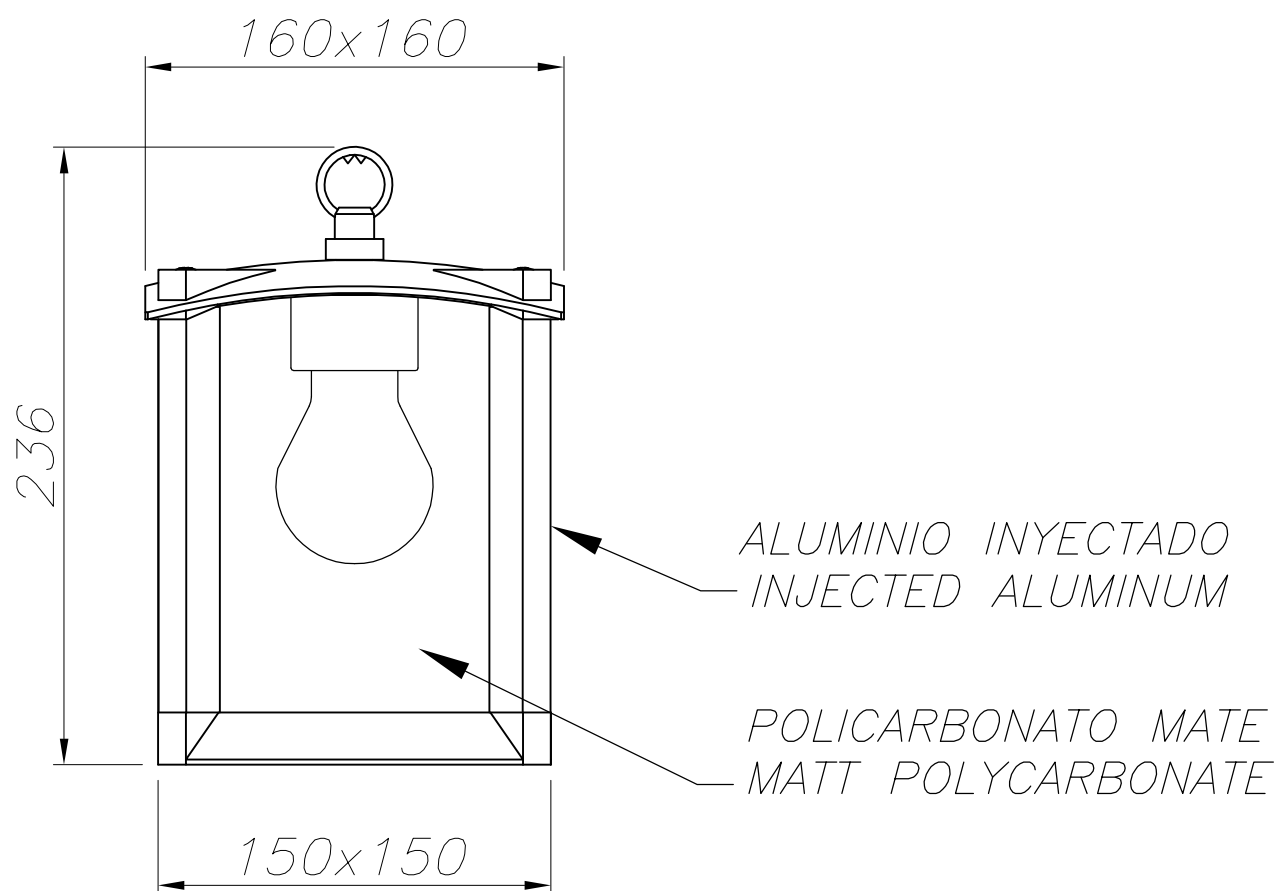
270.0 — 90.0

ULOR 30.87 %

DLOR 27.11 %

RN 53.25 %





PLANTILLA DE INSTALACIÓN
INSTALLATION TEMPLATE



LEDSTAR

OUTDOOR

00-9298

