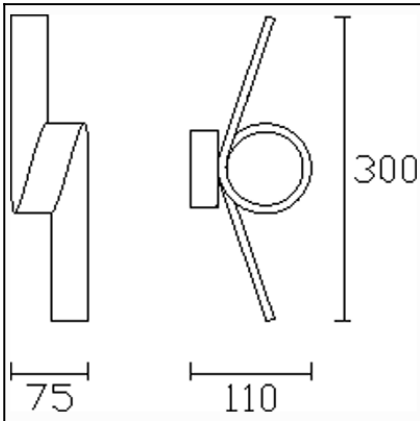


The photograph may not match the reference exactly. Please read the product description to identify the finish.



TECHNICAL CHARACTERISTICS

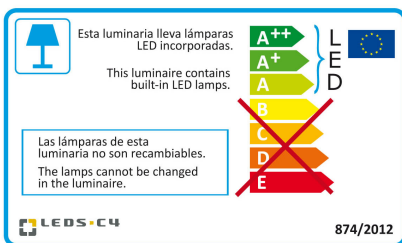
| | |
|---|---|
| Type: | Wall fixture |
| IP Protection degrees: | IP20 |
| Light source 1: | 2 x LED Cree LED 6W Warm White - 3000K 324 lm ^(N) CRI 80 |
| Voltage / Frequency: | 100-240V/50-60Hz |
| Warranty (Years): | 2 |
| Option to extend the guarantee (Years): | 5 |
| Units per box: | 6 |
| Net Weight (Kg): | 0.4 |
| EAN: | 8435381408510 |



MATERIALS / FINISHES

| | | | |
|----------------------------|------------|---------------------------|---------------|
| Structure material: | Aluminium | Diffuser material: | Polycarbonate |
| Structure finish: | Matt white | Diffuser finish: | Tinted |

Download photometric file .ldt / .ies



Click on image to download energy label

GEAR

Multi-voltage electronic gear included (100-240V / 50-60Hz)

Lm^(N): Nominal flow of light in actual working conditions. Its actual flow will depend on the environmental conditions and the efficiency of the optics and/or diffuser.

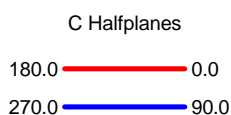
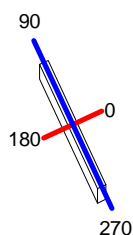
LEDS-C4 reserves the right to make the necessary technical changes they deem adequate, in order to improve the features of the product.
Please consult the sales team to clarify any doubt.

(+34) 973 468 100
leds-c4@leds-c4.com
www.leds-c4.com

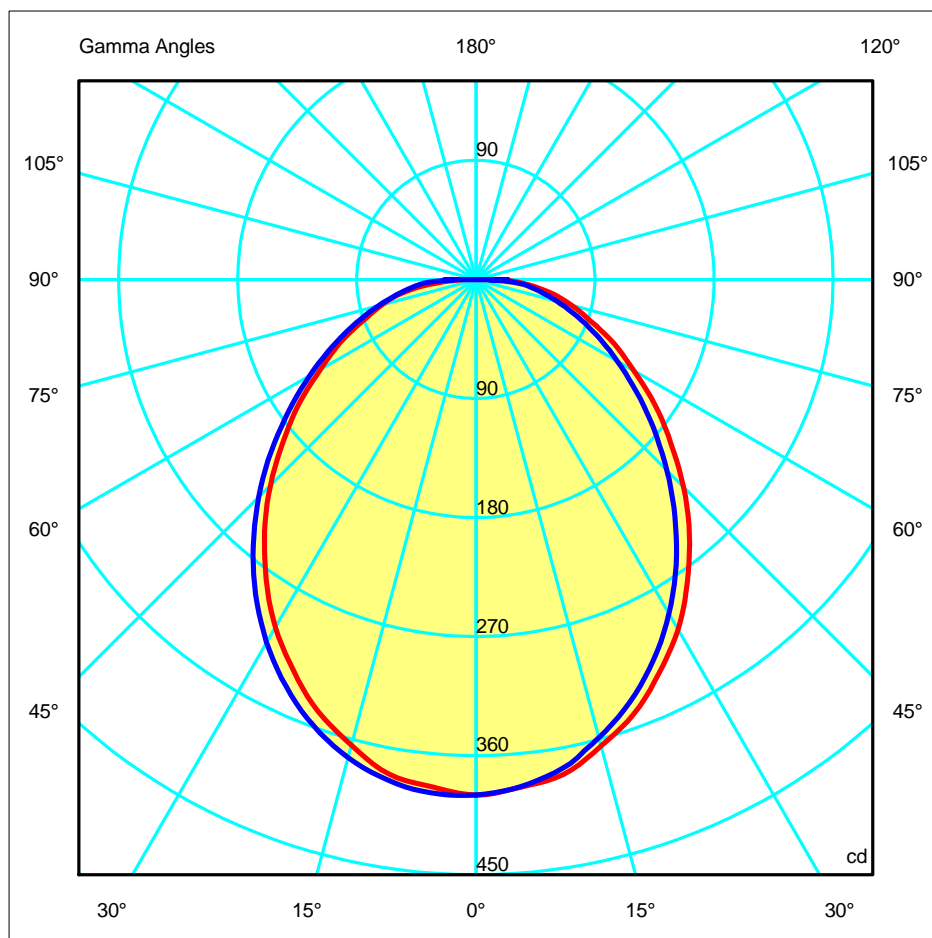
| | | | | | | |
|----------------------------|---------------|-----------------------------|-----------------|--------------|---------------|---------|
| Luminaire | | Measur. | | Lamp | | |
| Code | 00-2017-14-14 | Code | 00-2017-14-14 | Code | 00-2017-14-14 | |
| Name | 00-2017-14-14 | Name | 00-2017-14-14 | Number | 1 | |
| Line | Eulumdat | Date | 10-10-2013 | Position | | |
| Efficiency | 130.76% | Coordinate system | CG | Total Flux | 765.80 lm | |
| Maximum value | 390.09 cd | Position | C=270.00 G=3.00 | Asymmetrical | | |
| Rectangular Luminaire | Length | 1154 mm | Width | 80 mm | Height | 1500 mm |
| Rectangular Luminous Area | Length | 1154 mm | Width | 80 mm | Height | 1500 mm |
| Horizontal Luminous Area | 0.092320 m2 | Emitting area on Plane 180° | | 1.731000 m2 | | |
| Emitting area on Plane 0° | 1.731000 m2 | Emitting area on Plane 270° | | 0.120000 m2 | | |
| Emitting area on Plane 90° | 0.120000 m2 | Glare area at 76° | | 1.701916 m2 | | |
| Symmetry Type | Asymmetrical | Maximum Gamma Angle | | 180 | | |
| Measurement Distance | 0.00 | Measurement Flux | | 765.80 lm | | |
| Operator | | Source voltage | | | | |
| Temperature | 25.00 °C | Source current | | | | |
| Humidity | 60.00 % | Photocell | | | | |
| Notes | | | | | | |

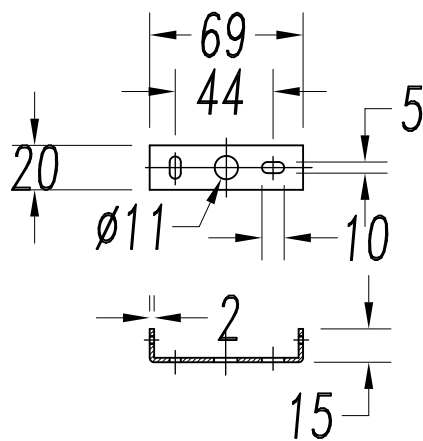
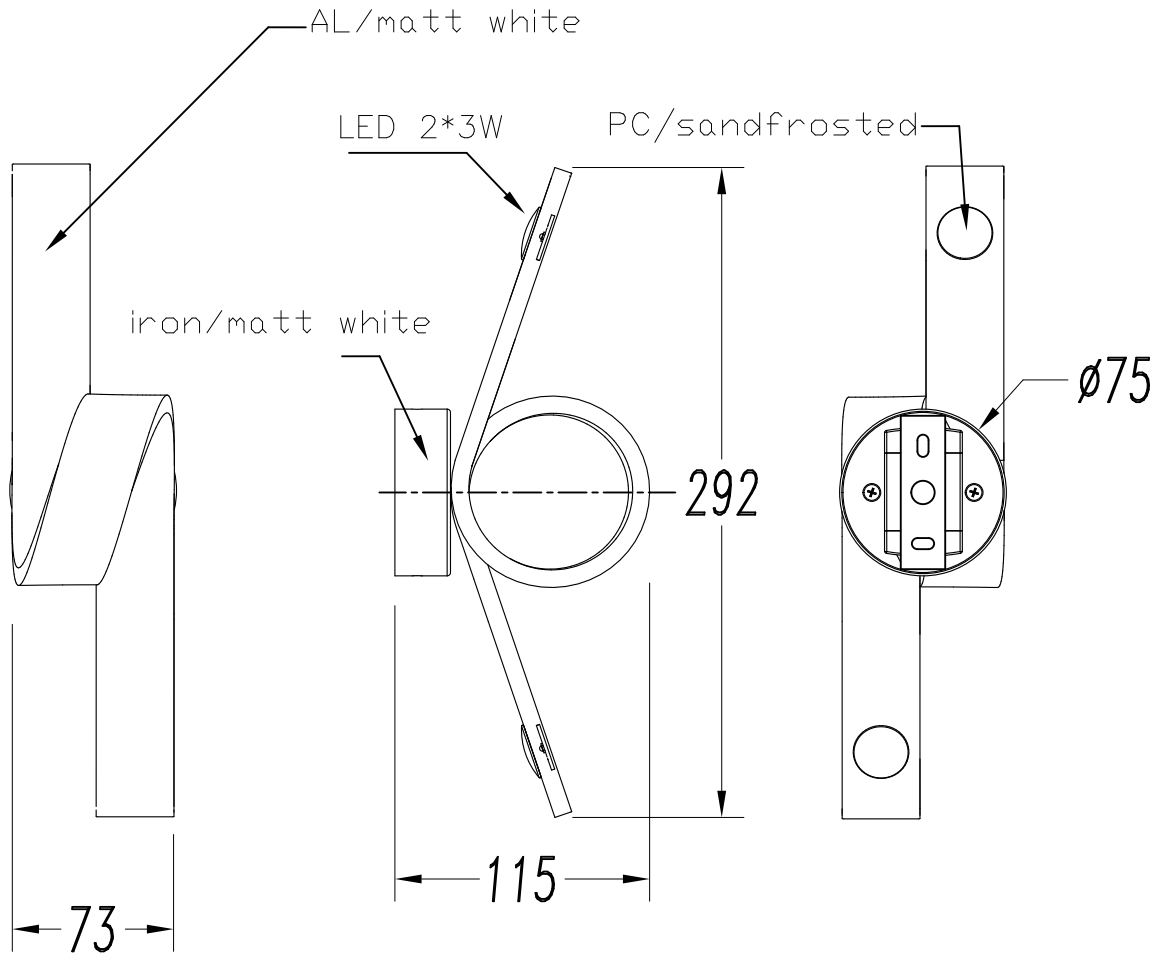
| Luminaire Lamps | | | | | | |
|-----------------|------------------|-------------------------|-------------------|----------|------|--|
| Line | Code | Name | Flux [lm] | Pow. [W] | Q.ty | |
| Eulumdat | 00-2017-14-14 | 00-2017-14-14 - 20.60 W | 765.80 | 20.60 | 1 | |
| C.I.E. | 49 78 93 100 131 | D DIN 5040 | A30 | | | |
| F UTE | 1.31 E | B NBN | BZ 4 / 1.5 / BZ 5 | | | |

1154mm x 80mm

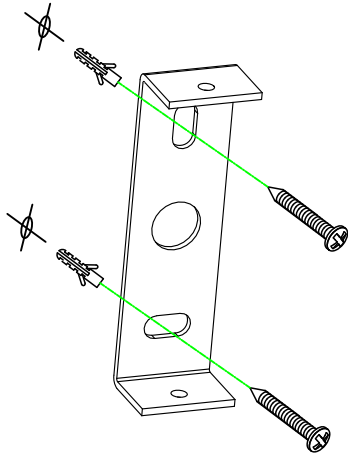
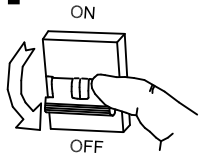


ULOR 0.14 %
DLOR 130.62 %
RN 0.11 %

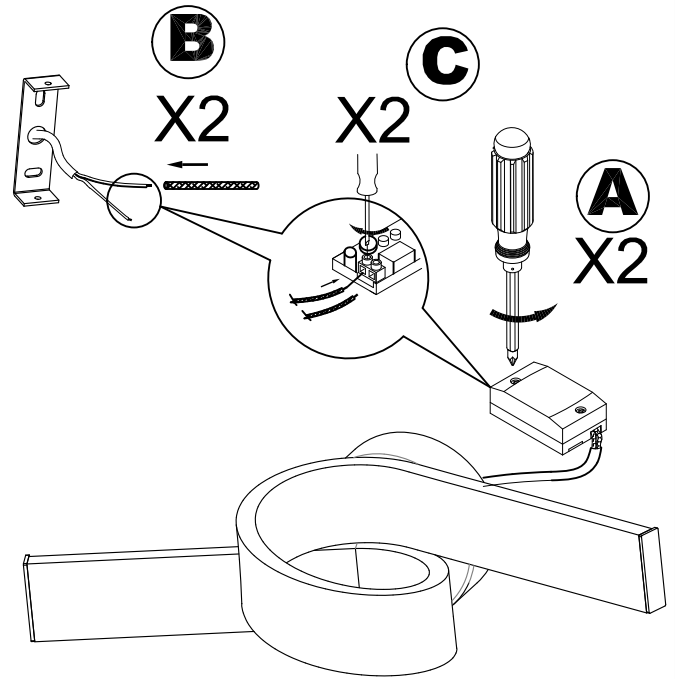




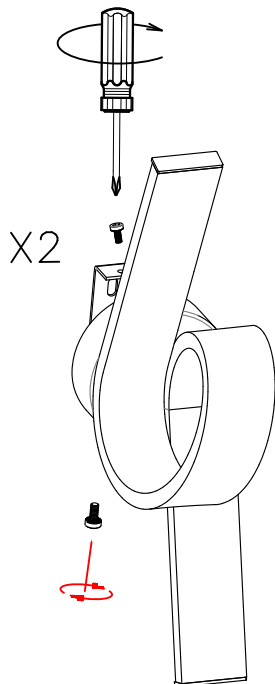
1



2



3



4

