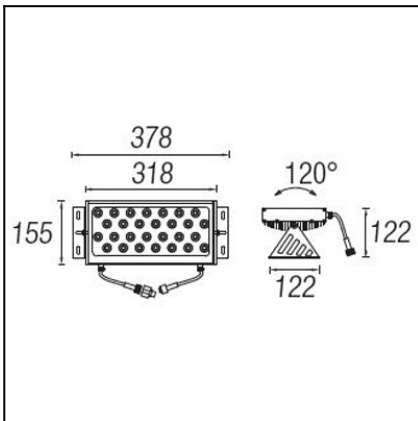
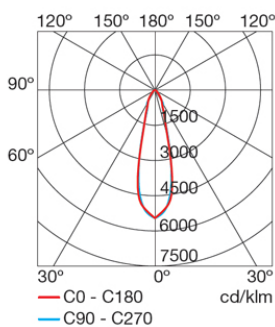




The photograph may not match the reference exactly. Please read the product description to identify the finish.



LED 48W



TECHNICAL CHARACTERISTICS

Type:	Spotlight
IP Protection degrees:	IP65
IK Protection degrees:	IK06
Light source 1:	28 x LED Cree 48W Neutral white - 4000K 4000 lm ^(N) CRI 80
Angle of the optics / Reflector:	25°
Voltage / Frequency:	24 VDC
Warranty (Years):	2
Option to extend the guarantee (Years):	5
Units per box:	6
Net Weight (Kg):	2.345
EAN:	8435381410087



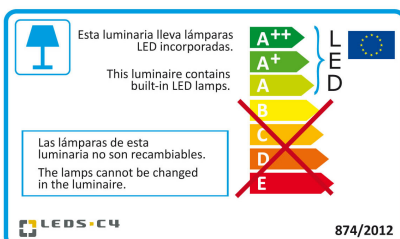
MATERIALS / FINISHES

Structure material:	Aluminium	Diffuser material:	Glass
Structure finish:	Anodized	Diffuser finish:	Transparent

GEAR

Necessary equipment not included. For more information check website / catalogs / sales organization.

Download photometric file .ldt / .ies



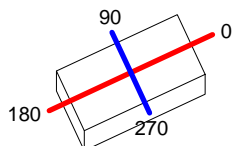
Lm^(N): Nominal flow of light in actual working conditions. Its actual flow will depend on the environmental conditions and the efficiency of the optics and/or diffuser.
Click on image to download energy label

LEDS-c4 reserves the right to make the necessary technical changes they deem adequate, in order to improve the features of the product.
Please consult the sales team to clarify any doubt.

Luminaire		Measur.		Lamp		
Code	05-2494-54-H6	Code	05-2494-54-H6	Code	05-3442-54-H6	
Name	RAY NW	Name	RAY NW	Number	1	
Line	Eulumdat	Date	12-11-2013	Position		
Efficiency	100.00%	Coordinate system	CG	Total Flux	2115.93 lm	
Maximum value	11057.42 cd	Position	C=0.00 G=0.00	Double Symmetrical		
Rectangular Luminaire	Length	156 mm	Width	316 mm	Height	50 mm
Rectangular Luminous Area	Length	110 mm	Width	270 mm	Height	0 mm
Horizontal Luminous Area	0.029700 m2	Emitting area on Plane 180°		0.000000 m2		
Emitting area on Plane 0°	0.000000 m2	Emitting area on Plane 270°		0.000000 m2		
Emitting area on Plane 90°	0.000000 m2	Glare area at 76°		0.007185 m2		
Symmetry Type	Double Symmetrical	Maximum Gamma Angle	90			
Measurement Distance	0.00	Measurement Flux	2115.93 lm			
Operator	Asselum T2	Source voltage				
Temperature	25.00 °C	Source current				
Humidity	60.00 %	Photocell				
Notes						

Luminaire Lamps					
Line	Code	Name	Flux [lm]	Pow. [W]	Q.ty
Eulumdat	05-3442-54-H6	05-3442-54-H6 - 36.00 W	2115.93	36.00	1
C.I.E.	92 98 100 100 100	D DIN 5040			
F UTE	1.00 A	B NBN	A60		
			BZ 1		

156mm x 316mm



C Halfplanes

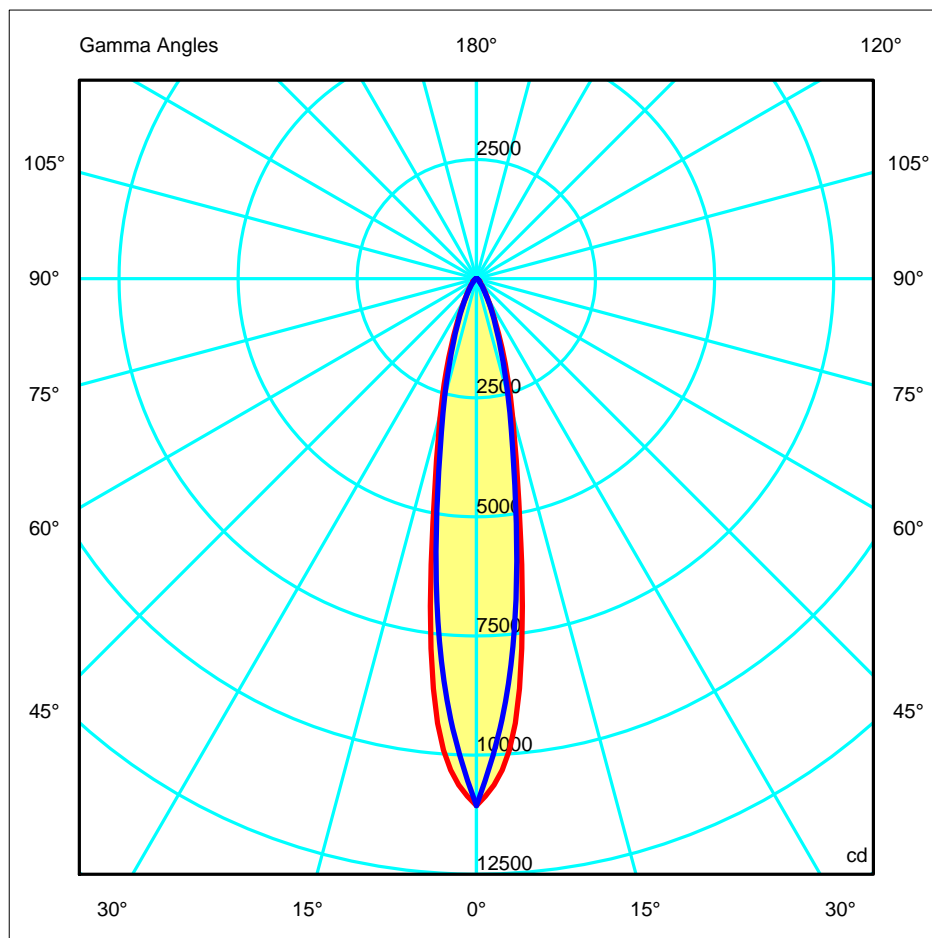
180.0 — 0.0 (Red line)

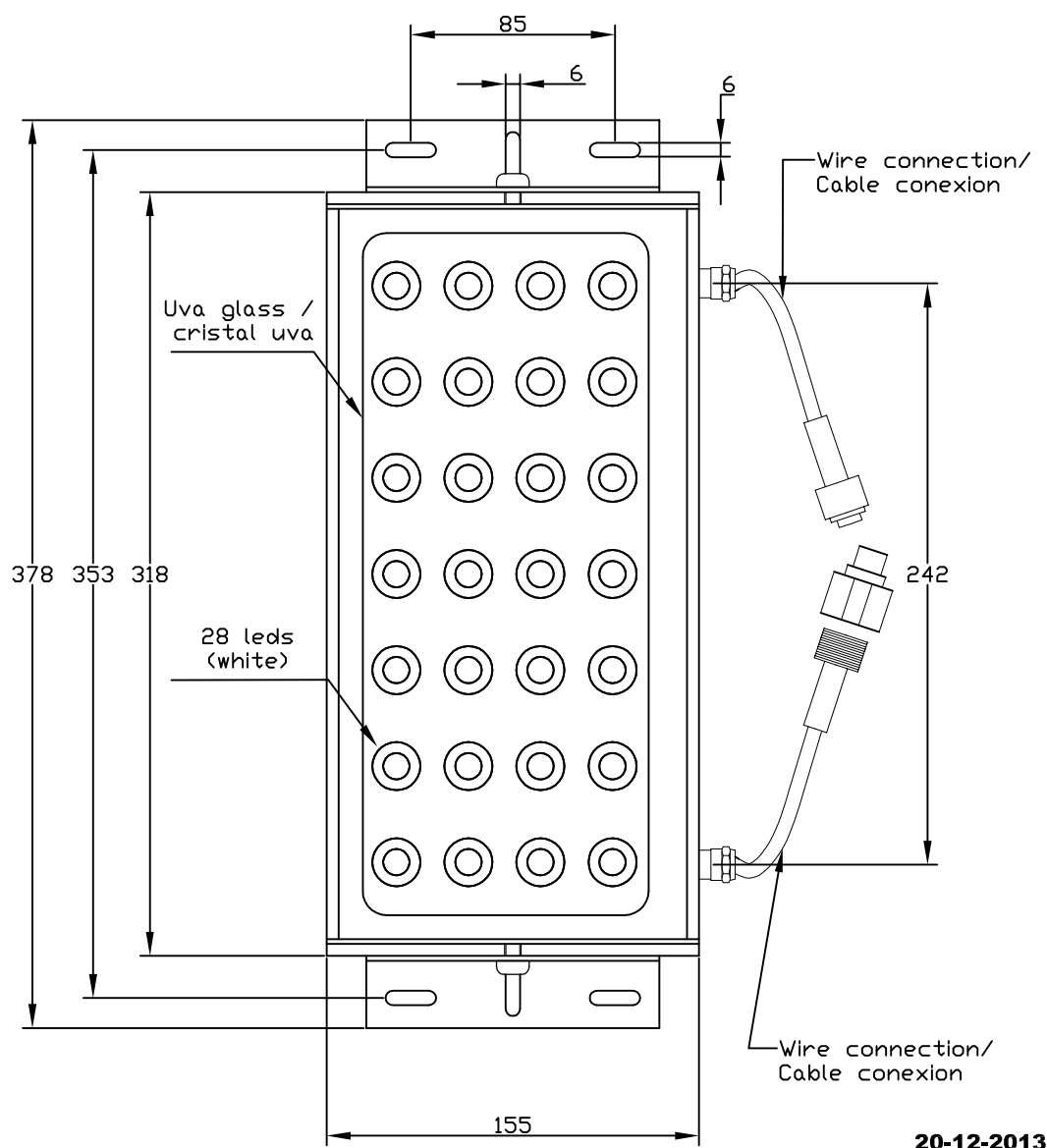
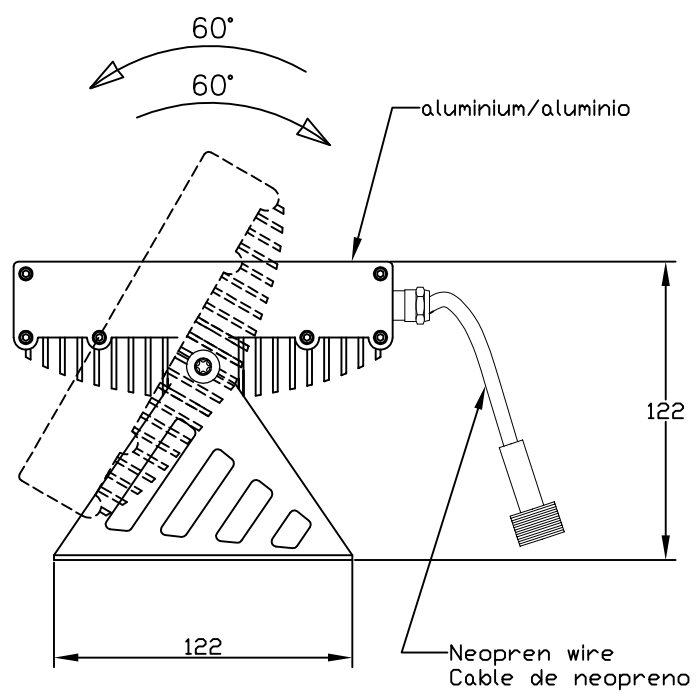
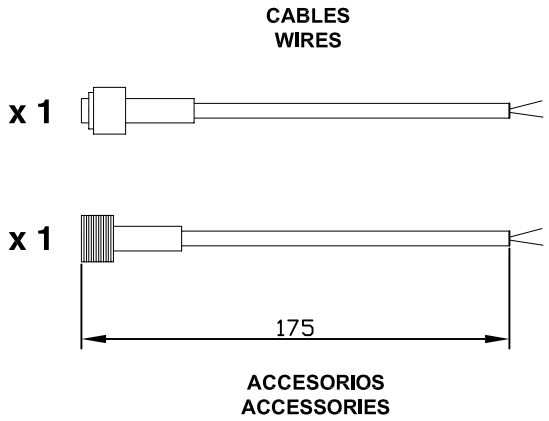
270.0 — 90.0 (Blue line)

ULOR 0.00 %

DLOR 100.00 %

RN 0.00 %







GUIA INSTALACIÓN SERIE RAY
INSTALLATION GUIDE RAY SERIES
INSTALLATIONSANLEITUNG SERIE RAY
GUIDE D'INSTALLATION SÉRIE RAY
GUIDA DI INSTALLAZIONE SERIE RAY

05-2494-54-H6 - NEUTRAL WHITE

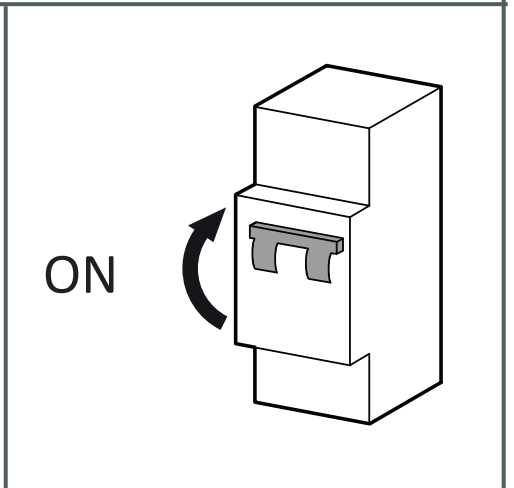
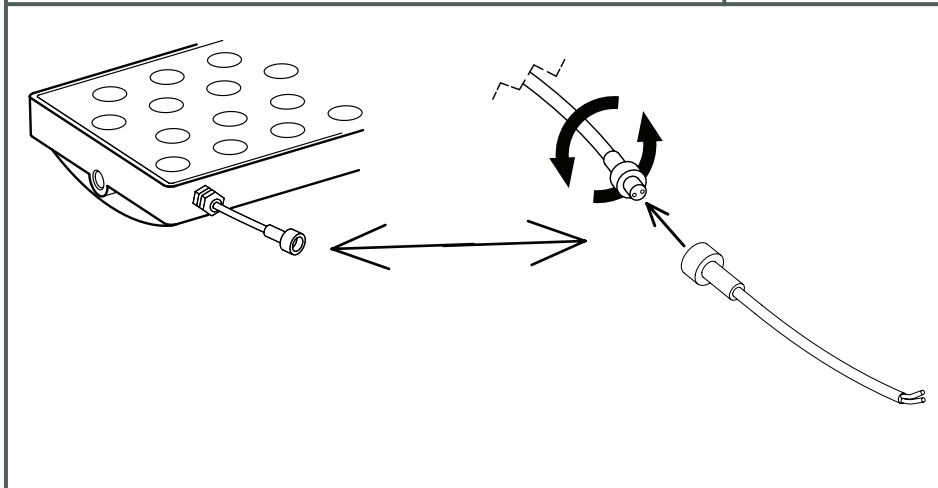
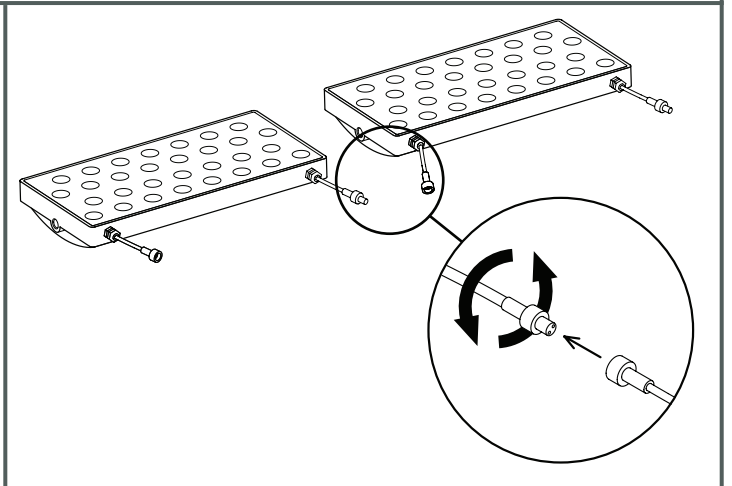
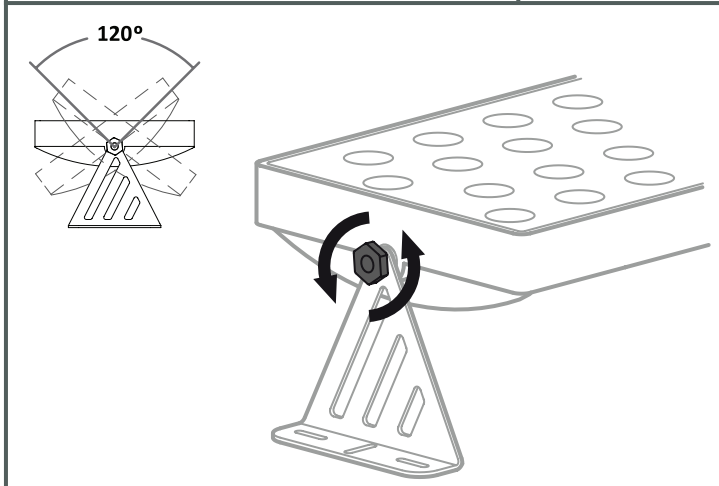
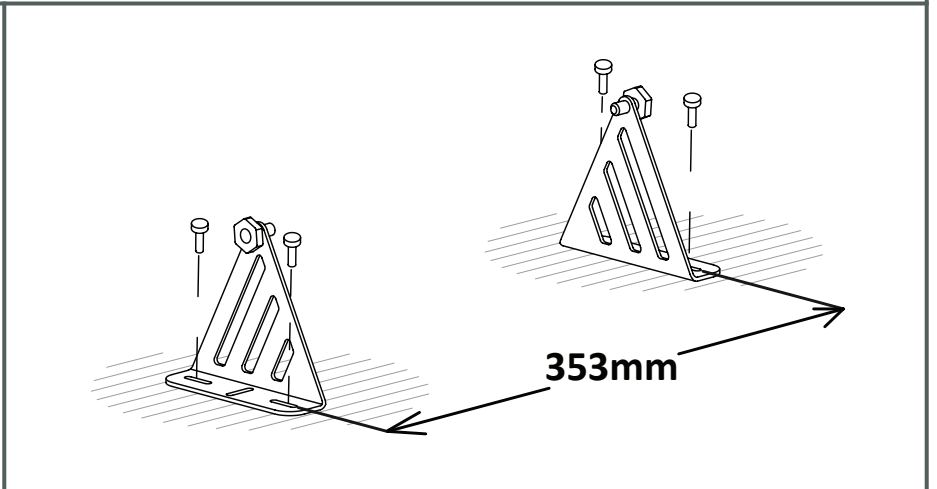
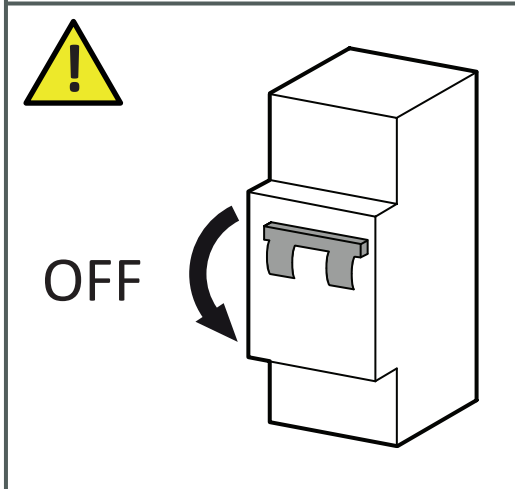
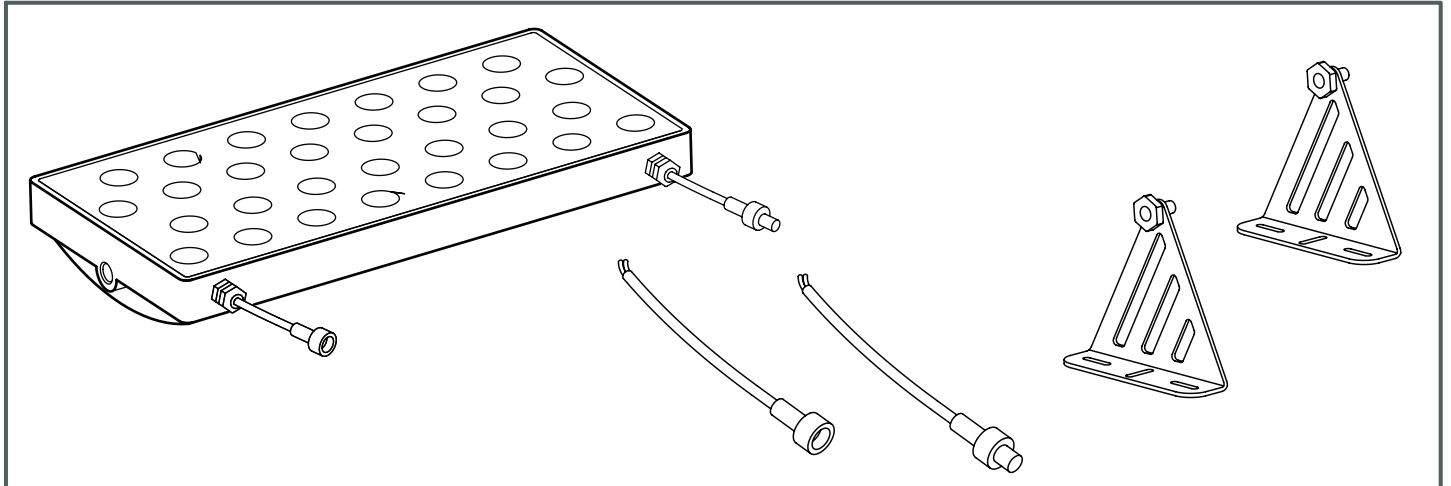
05-2499-54-H6 - WARM WHITE

05-2498-54-H6 - RGB

LEDS-C4 S.A.
CIF A-59410910

Afores, s/n
25750 Torà · Lleida · Spain
T +34 973 46 81 00
F +34 973 46 81 06
e-mail: leds-c4@leds-c4.com

WWW.LEDS-C4.COM



PS 24VDC
 71-0038-00-00 - 26,4 W
 71-0039-00-00 - 52,8 W
 71-0063-00-00 - 76,8 W
 71-0064-00-00 - 156 W
 71-0065-00-00 - 240 W
 71-0066-00-00 - 312 W
 71-4727-00-00 - 150 W (IP67)

C DALI
 71-3473-00-00 - 120 W

C WHITE
 71-0017-00-00 - 288 W

C DMX
 71-3493-00-00
 - 4x48W (R,G,B,W)
 - 3x48W (R,G,B)

C RGB
 71-0019-00-00 - 432 W

A
 71-3433-00-00 - 288 W
 71-1553-00-00 - 288 W

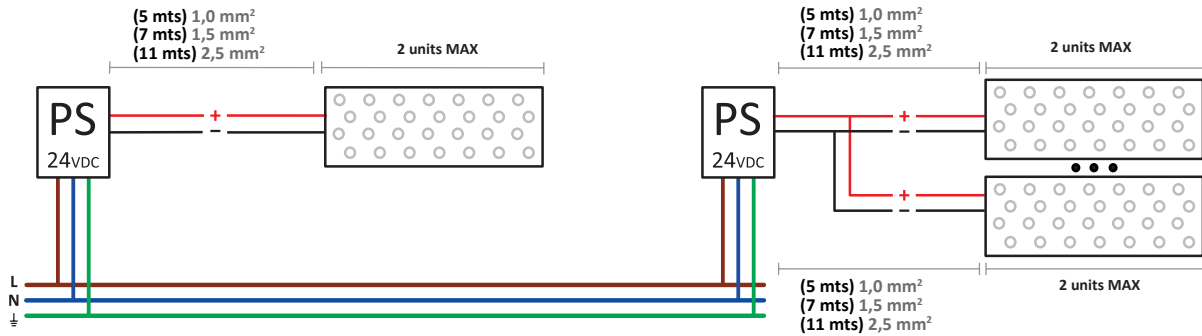
C 1-10V
 71-0727-00-00 - 312 W

C RGB
 71-4662-00-00 - 432 W
 71-4663-00-00 - 432 W (IP65)
 71-4666-00-00 - REMOTE (OPTIONAL)

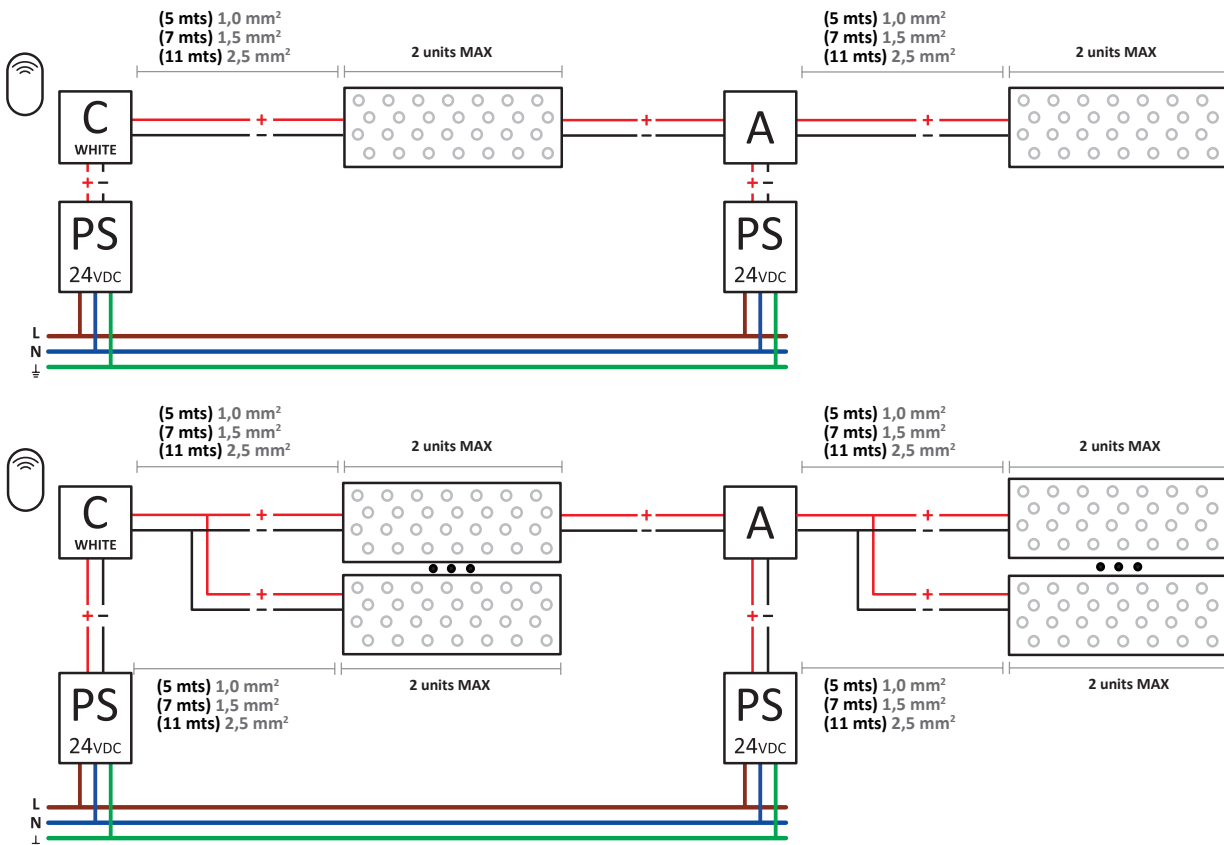
WHITE

05-2494-54-H6 - 05-2499-54-H6 (48W)

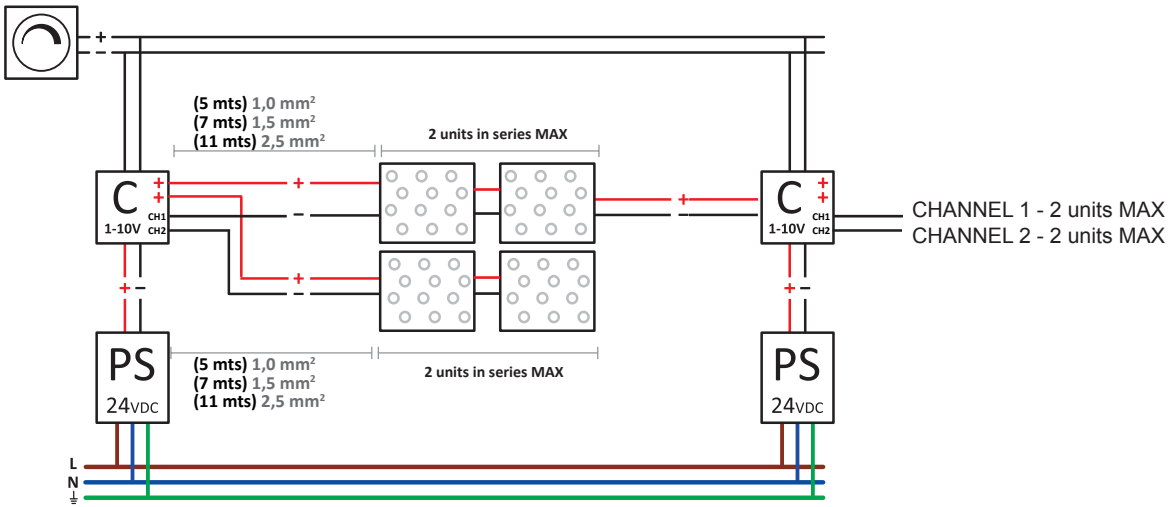
ON / OFF



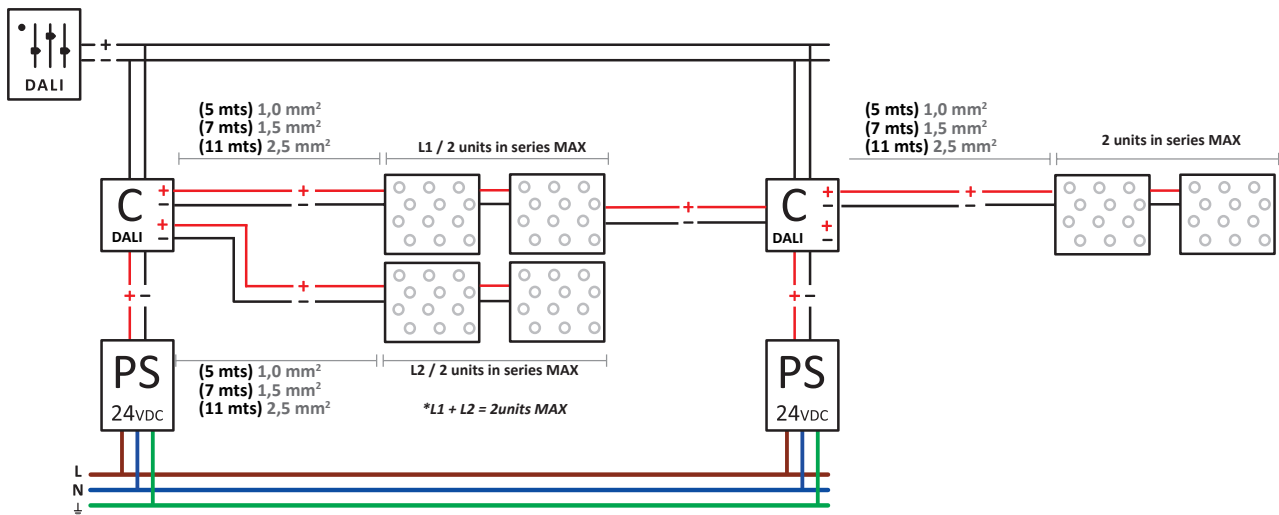
DIMMING WITH REMOTE CONTROL



1-10V



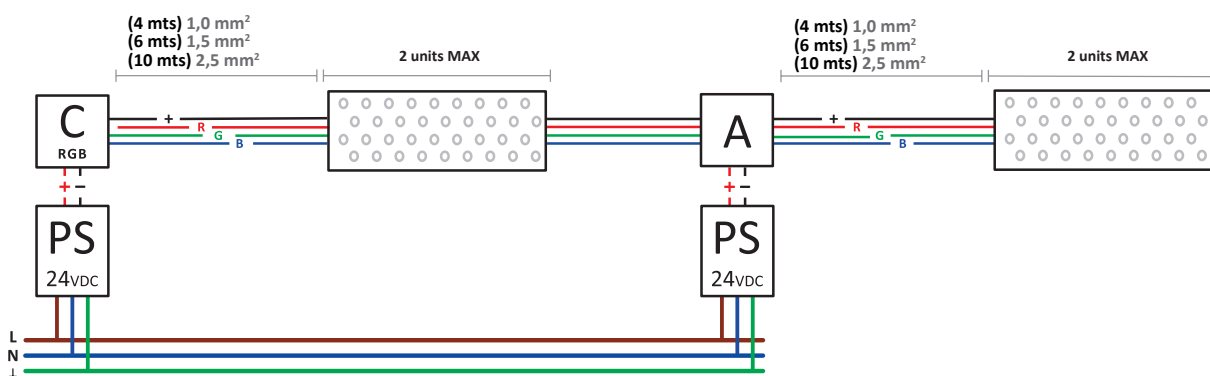
DALI

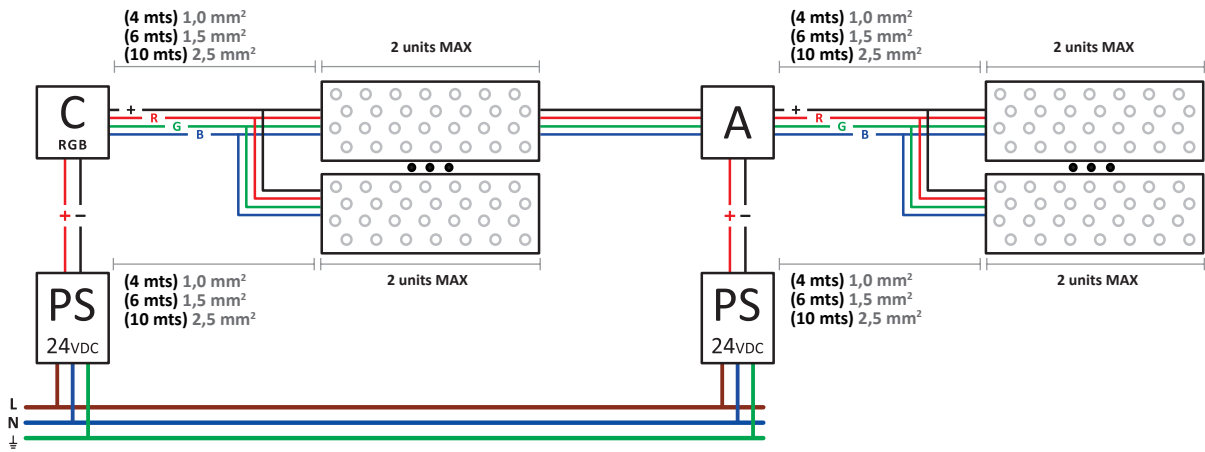


RGB

05-2498-54-H6 (60W)

RGB CONTROL WITH / WITHOUT REMOTE CONTROL





DMX

