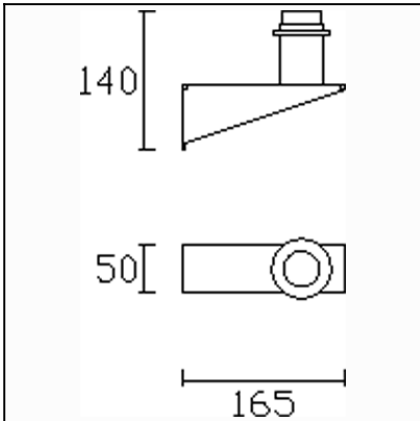


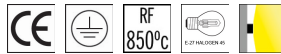


The photograph may not match the reference exactly. Please read the product description to identify the finish.



TECHNICAL CHARACTERISTICS

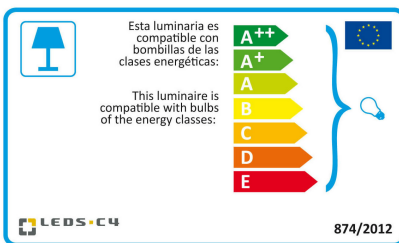
Type:	Wall fixture
IP Protection degrees:	IP20
Light source 1:	1 x E27 MAX 60W Maximum lamp diameter: 45.00 mm
Total power consumption (W):	60
Voltage / Frequency:	220-240V/50-60Hz
Warranty (Years):	2
Units per box:	12
Net Weight (Kg):	0.405
EAN:	8435381409951



MATERIALS / FINISHES

Structure material: Steel
Structure finish: Satin nickel
 Chrome

Download photometric file .ldt / .ies



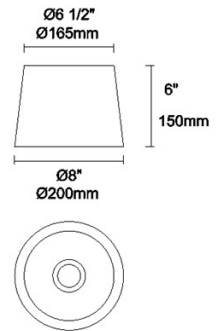
Click on image to download energy label

PAN-157-14



Shade, white, Ø200mm

Structure material: Steel
Diffuser material: Fabric shade
Diffuser finish: White

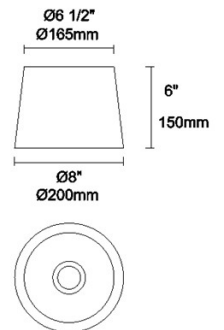


IP20 RF
850°C

PAN-157-BY



Structure material: Steel
Diffuser material: Fabric shade
Diffuser finish: Sandblasted



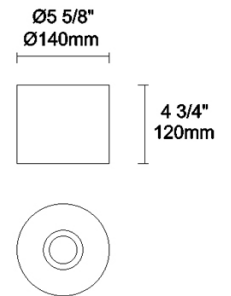
IP20 RF
850°C

PAN-175-14



Shade, white, Ø140mm

Structure material: Steel
Diffuser material: Fabric shade
Diffuser finish: White



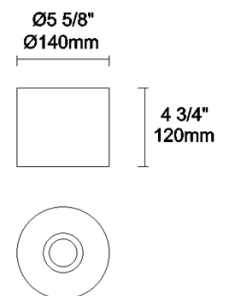
IP20 RF
850°C

PAN-175-BY



Shade, beige fabric, Ø140mm

Structure material: Steel
Diffuser material: Fabric shade
Diffuser finish: Sandblasted



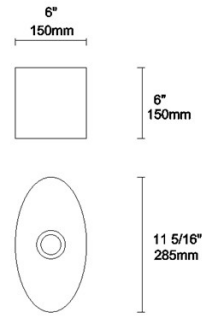
IP20 RF
850°C

PAN-177-14



Shade, oval shape, white, 285x150x150mm

Structure material: Steel
Diffuser material: Fabric shade
Diffuser finish: White

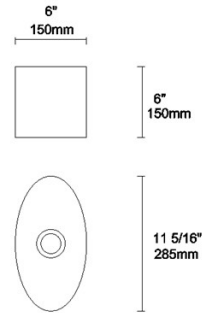


PAN-177-BY



Shade, oval shape, beige fabric, 285x150x150mm

Structure material: Steel
Diffuser material: Fabric shade
Diffuser finish: Sandblasted



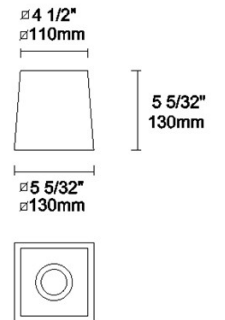
RF
850°C

PAN-178-14



Shade, white, 130x130x110mm

Structure material: Steel
Diffuser material: Fabric shade
Diffuser finish: White



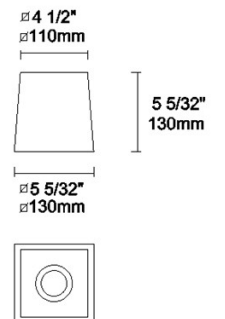
IP20 650°

PAN-178-BY



Shade, beige fabric, 130x130x110mm

Structure material: Steel
Diffuser material: Fabric shade
Diffuser finish: Sandblasted

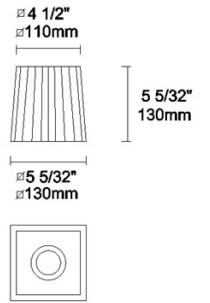


IP20 650°

PAN-186-20

Shade, beige, pleated, 130x130x110mm

Structure material: Steel
Diffuser material: Ribboned shade
Diffuser finish: Beige

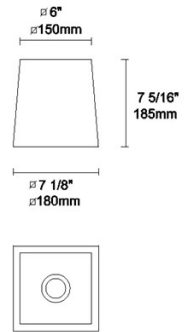


IP20 RF
850°C

PAN-179-14

Shade, white, 180x186x150mm

Structure material: Steel
Diffuser material: Fabric shade
Diffuser finish: White

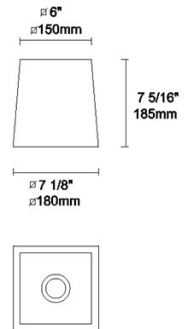


IP20 RF
850°C

PAN-179-BY

Shade, beige fabric, 180x186x150mm

Structure material: Steel
Diffuser material: Fabric shade
Diffuser finish: Sandblasted

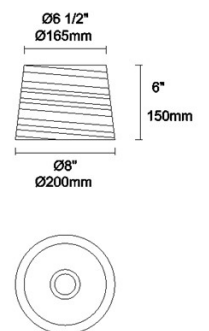


IP20 650°

PAN-219-14

Shade, white, horizontal wrapping, Ø200mm

Structure material: Steel
Structure finish: White
Diffuser material: Ribboned shade
Diffuser finish: White



IP20 RF
850°C

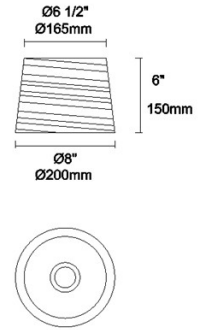
PAN-219-05



Shade, black horizontal wrapping, Ø200mm

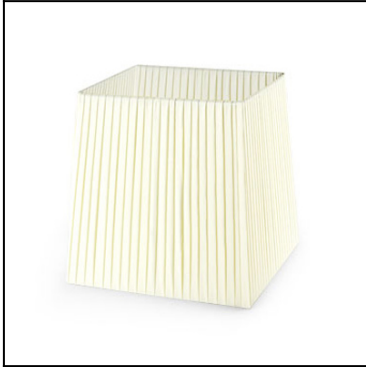
Structure material: Steel
Structure finish: White

Diffuser material: Ribboned shade
Diffuser finish: Black



IP20 RF
850°C

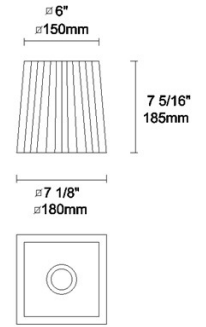
PAN-187-20



Shade, beige, pleated, 180x186x150mm

Structure material: Steel

Diffuser material: Ribboned shade
Diffuser finish: Beige



IP20 RF
850°C

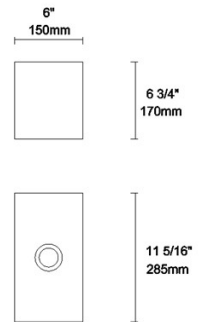
PAN-176-14



Shade, white, 182x170x150mm

Structure material: Steel

Diffuser material: Fabric shade
Diffuser finish: White



RF
850°C

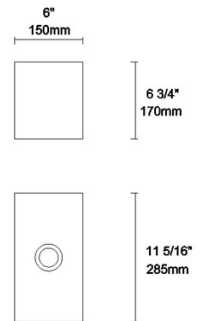
PAN-176-BY



Shade, beige fabric, 182x170x150mm

Structure material: Steel

Diffuser material: Fabric shade
Diffuser finish: Sandblasted



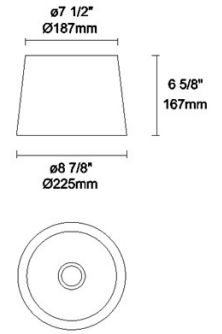
RF
850°C

PAN-194-AJ



Shade, grey, Ø220mm

Diffuser material: Fabric shade
Diffuser finish: Opera grey



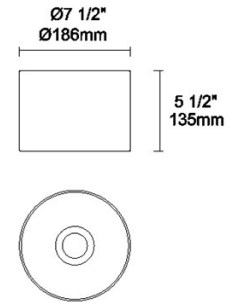
IP20

PAN-198-V7



Shade, old copper, Ø186mm

Structure material: Steel
Diffuser material: PVC
Diffuser finish: Antique copper

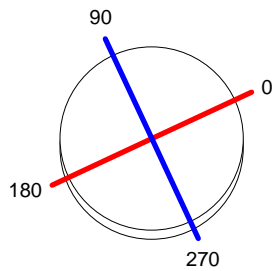


IP20 RF
850°C

Luminaire		Measur.		Lamp	
Code	05-2755-81-21	Code	05-2755-81-21	Code	STANDARD S 60W E27 O
Name	Aplique GLOSS 60W P-257-14	Name	Aplique GLOSS 60W P-257-14	Number	1
Line	- LEDS-C4	Date	02-06-2014	Position	Universal
Efficiency	74.70%	Coordinate system	CG	Total Flux	640.00 lm
Maximum value	81.55 cd	Position	C=0.00 G=45.00	Double Symmetrical	
Round Luminaire	Diam.	200 mm	Height	150 mm	
Round Luminous Area	Diam.	200 mm	Height	150 mm	
Horizontal Luminous Area	0.031416 m2		Emitting area on Plane 180°	0.030000 m2	
Emitting area on Plane 0°	0.030000 m2		Emitting area on Plane 270°	0.030000 m2	
Emitting area on Plane 90°	0.030000 m2		Glare area at 76°	0.036709 m2	
Symmetry Type	Double Symmetrical		Maximum Gamma Angle	180	
Measurement Distance	6.44		Measurement Flux	502.00 lm	
Operator	Asselum T2		Source voltage	230.00 V	
Temperature	22.00 °C		Source current	Prc	
Humidity	52.00 %		Photocell		
Notes					

Luminaire Lamps						
Line	Code	Name	Flux [lm]	Pow. [W]	Q.ty	
PHILIPS 2005 ILCOS IA,IB,IC	STANDARD S 60W E27 O	STANDARD SFER 60W E27 OPALE	640.00	60.00	1	
C.I.E.	37 73 90 54 75	D DIN 5040	C21			
F UTE	0.40 G + 0.35 T	B NBN	BZ 6 / 1.25 / BZ 5			

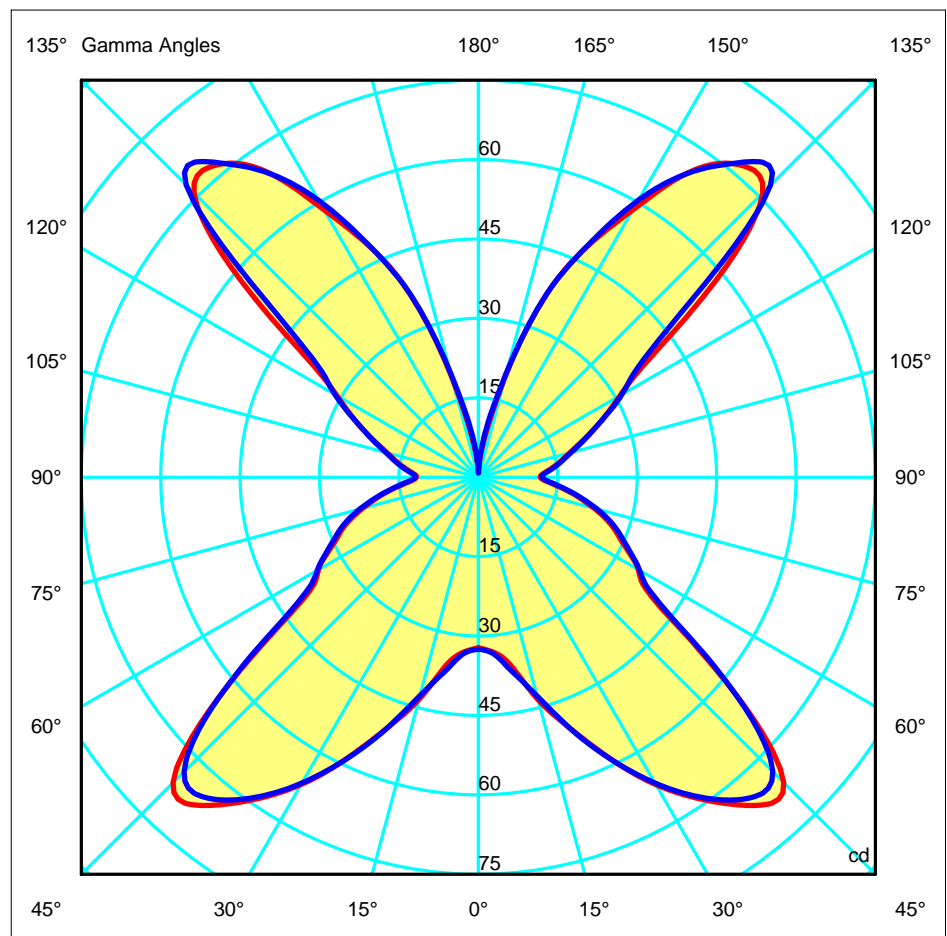
Diam=200mm

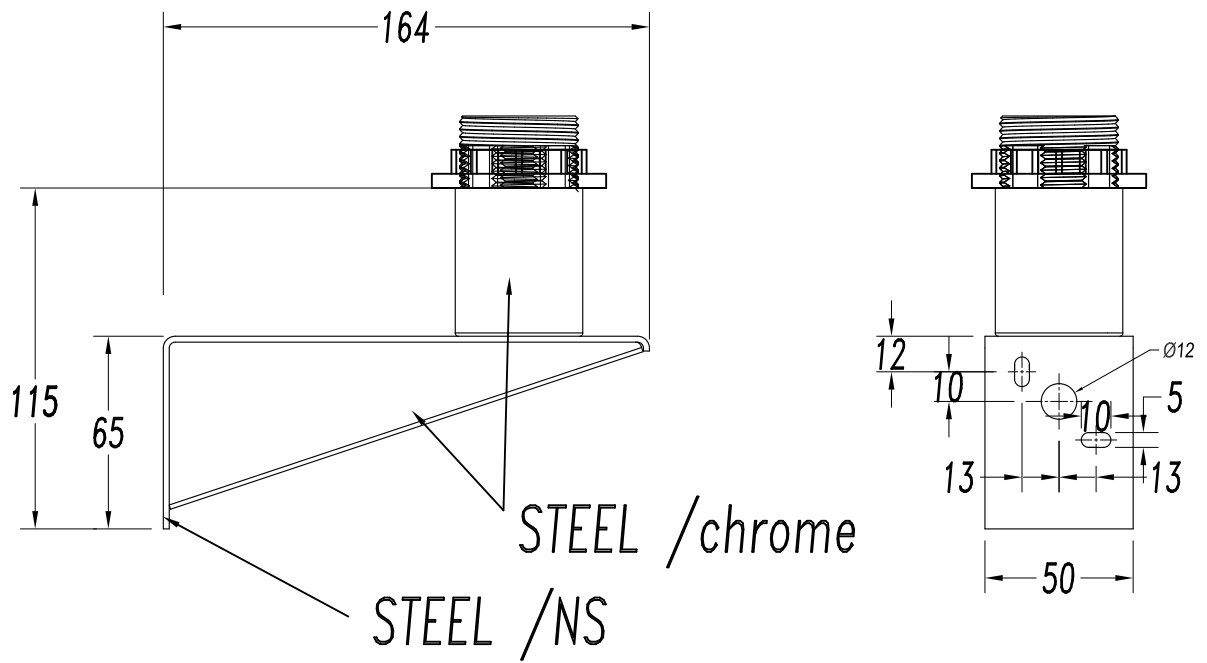


C Halfplanes

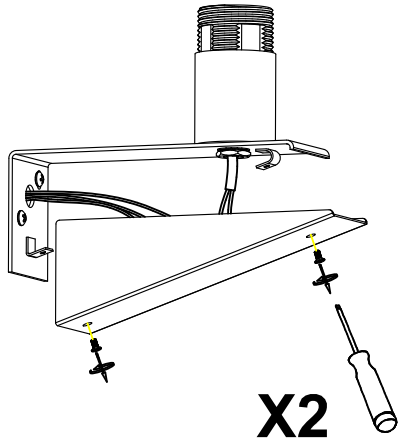
180.0 — 0.0
270.0 — 90.0

ULOR 34.54 %
DLOR 40.16 %
RN 46.24 %

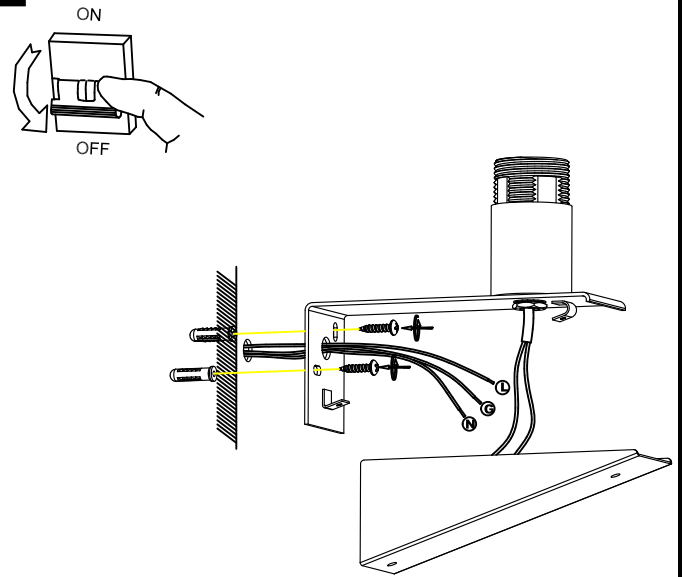




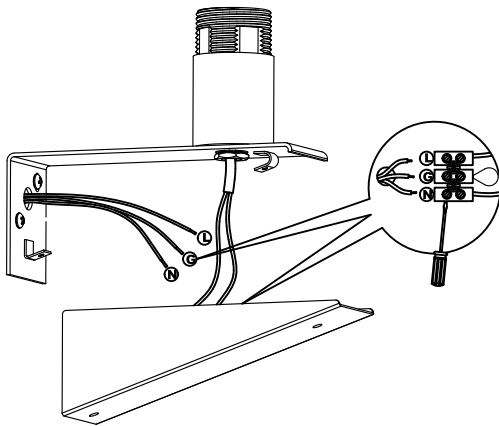
1



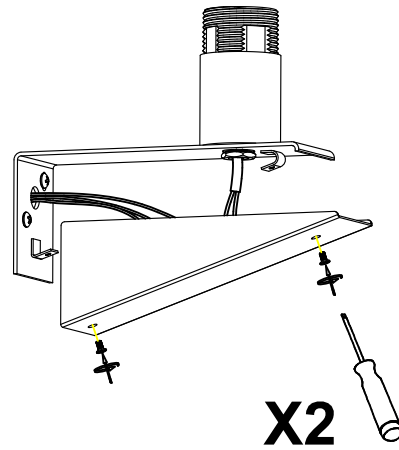
2



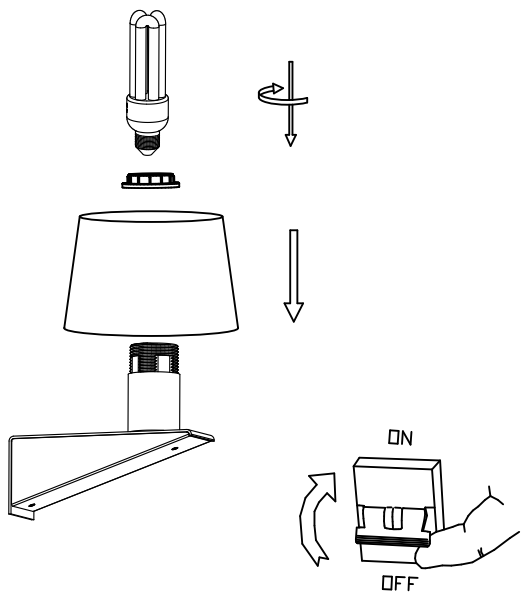
3



4



5



6

