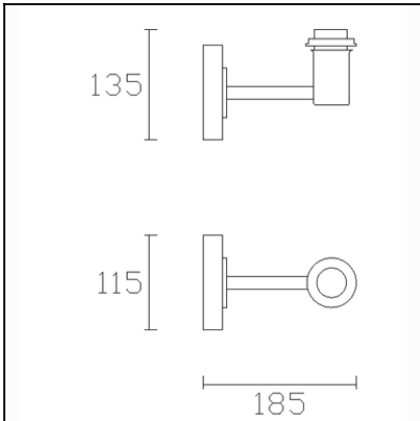


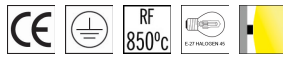


The photograph may not match the reference exactly. Please read the product description to identify the finish.



TECHNICAL CHARACTERISTICS

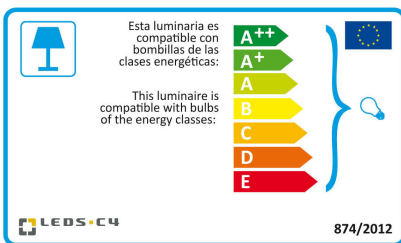
| | |
|------------------------------|--------------------|
| Type: | Wall fixture |
| IP Protection degrees: | IP20 |
| Light source 1: | 1 x E27 MAX 60W |
| Total power consumption (W): | 60 |
| Voltage / Frequency: | 220-240V/50-60Hz |
| Warranty (Years): | 2 |
| Units per box: | 8 |
| Net Weight (Kg): | 0.36 |
| EAN: | 8435381409975 |



MATERIALS / FINISHES

Structure material: Steel
Structure finish: BRIGHT WHITE

Download photometric file .ldt / .ies



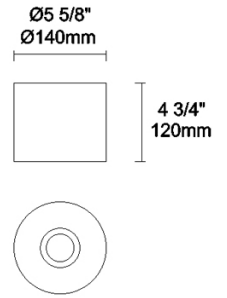
Click on image to download energy label

PAN-175-14



Shade, white, Ø140mm

Structure material: Steel
Diffuser material: Fabric shade
Diffuser finish: White



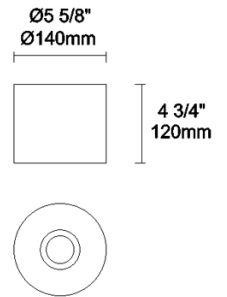
IP20 RF
850°C

PAN-175-BY



Shade, beige fabric, Ø140mm

Structure material: Steel
Diffuser material: Fabric shade
Diffuser finish: Sandblasted



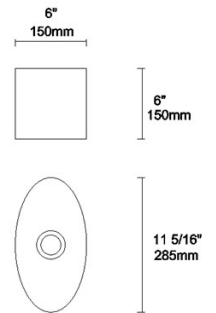
IP20 RF
850°C

PAN-177-14



Shade, oval shape, white, 285x150x150mm

Structure material: Steel
Diffuser material: Fabric shade
Diffuser finish: White

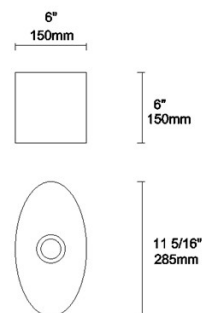


PAN-177-BY



Shade, oval shape, beige fabric, 285x150x150mm

Structure material: Steel
Diffuser material: Fabric shade
Diffuser finish: Sandblasted



RF
850°C

PAN-157-14

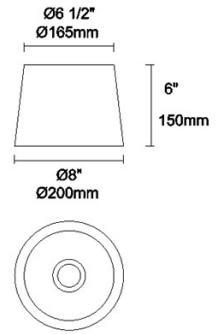


Shade, white, Ø200mm

Structure material: Steel

Diffuser material: Fabric shade

Diffuser finish: White



IP20 RF
850°C

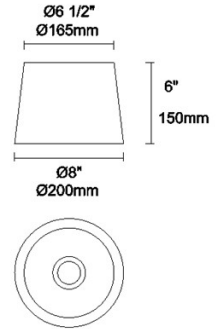
PAN-157-BY



Structure material: Steel

Diffuser material: Fabric shade

Diffuser finish: Sandblasted



IP20 RF
850°C

PAN-219-14



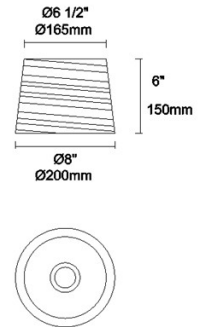
Shade, white, horizontal wrapping, Ø200mm

Structure material: Steel

Structure finish: White

Diffuser material: Ribboned shade

Diffuser finish: White



IP20 RF
850°C

PAN-219-05



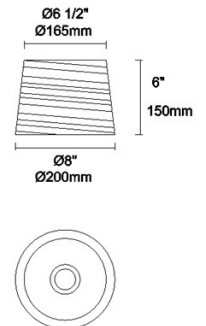
Shade, black horizontal wrapping, Ø200mm

Structure material: Steel

Structure finish: White

Diffuser material: Ribboned shade

Diffuser finish: Black



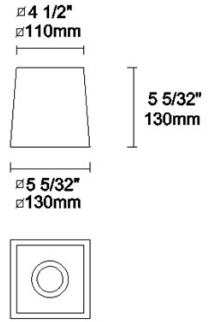
IP20 RF
850°C

PAN-178-14



Shade, white, 130x130x110mm

Structure material: Steel
Diffuser material: Fabric shade
Diffuser finish: White



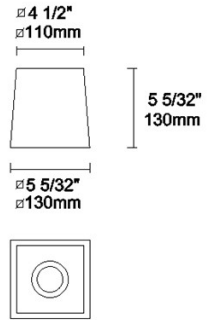
IP20 650°

PAN-178-BY



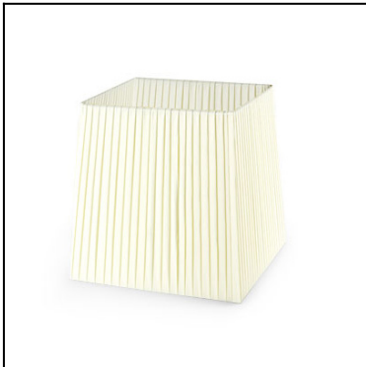
Shade, beige fabric, 130x130x110mm

Structure material: Steel
Diffuser material: Fabric shade
Diffuser finish: Sandblasted



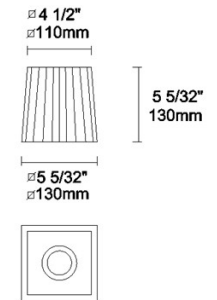
IP20 650°

PAN-186-20



Shade, beige, pleated, 130x130x110mm

Structure material: Steel
Diffuser material: Ribbed shade
Diffuser finish: Beige



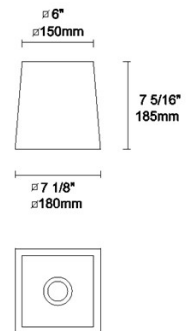
IP20 RF
850°c

PAN-179-14



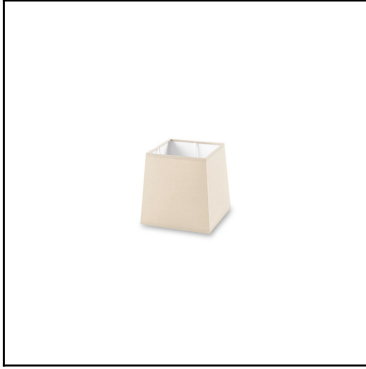
Shade, white, 180x186x150mm

Structure material: Steel
Diffuser material: Fabric shade
Diffuser finish: White



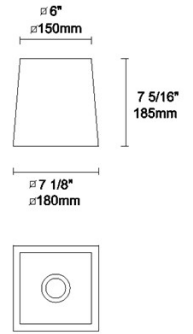
IP20 RF
850°c

PAN-179-BY



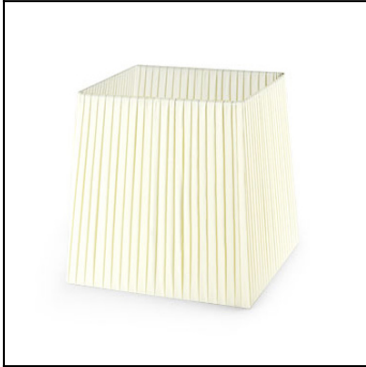
Shade, beige fabric, 180x186x150mm

Structure material: Steel
Diffuser material: Fabric shade
Diffuser finish: Sandblasted



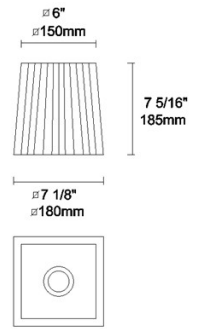
IP20 650°c

PAN-187-20



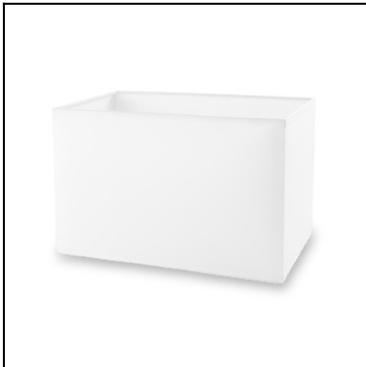
Shade, beige, pleated, 180x186x150mm

Structure material: Steel
Diffuser material: Ribbed shade
Diffuser finish: Beige



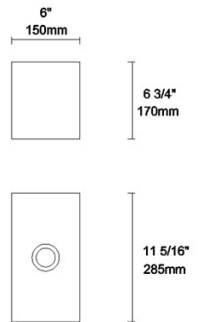
IP20 RF
850°c

PAN-176-14



Shade, white, 182x170x150mm

Structure material: Steel
Diffuser material: Fabric shade
Diffuser finish: White



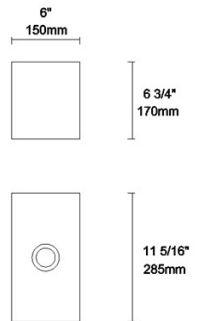
RF
850°c

PAN-176-BY



Shade, beige fabric, 182x170x150mm

Structure material: Steel
Diffuser material: Fabric shade
Diffuser finish: Sandblasted



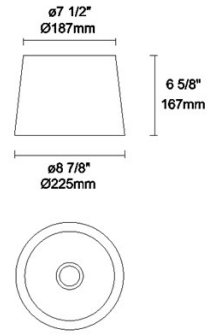
RF
850°c

PAN-194-AJ



Shade, grey, Ø220mm

Diffuser material: Fabric shade
Diffuser finish: Opera grey



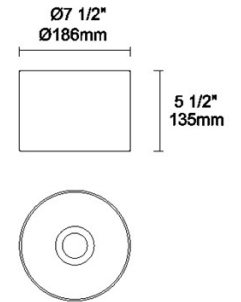
IP20

PAN-198-V7



Shade, old copper, Ø186mm

Structure material: Steel
Diffuser material: PVC
Diffuser finish: Antique copper



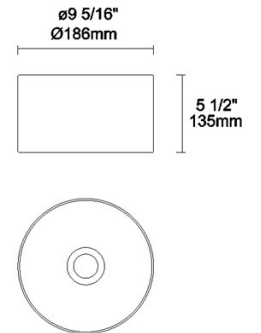
IP20 RF
850°C

PAN-199-V7

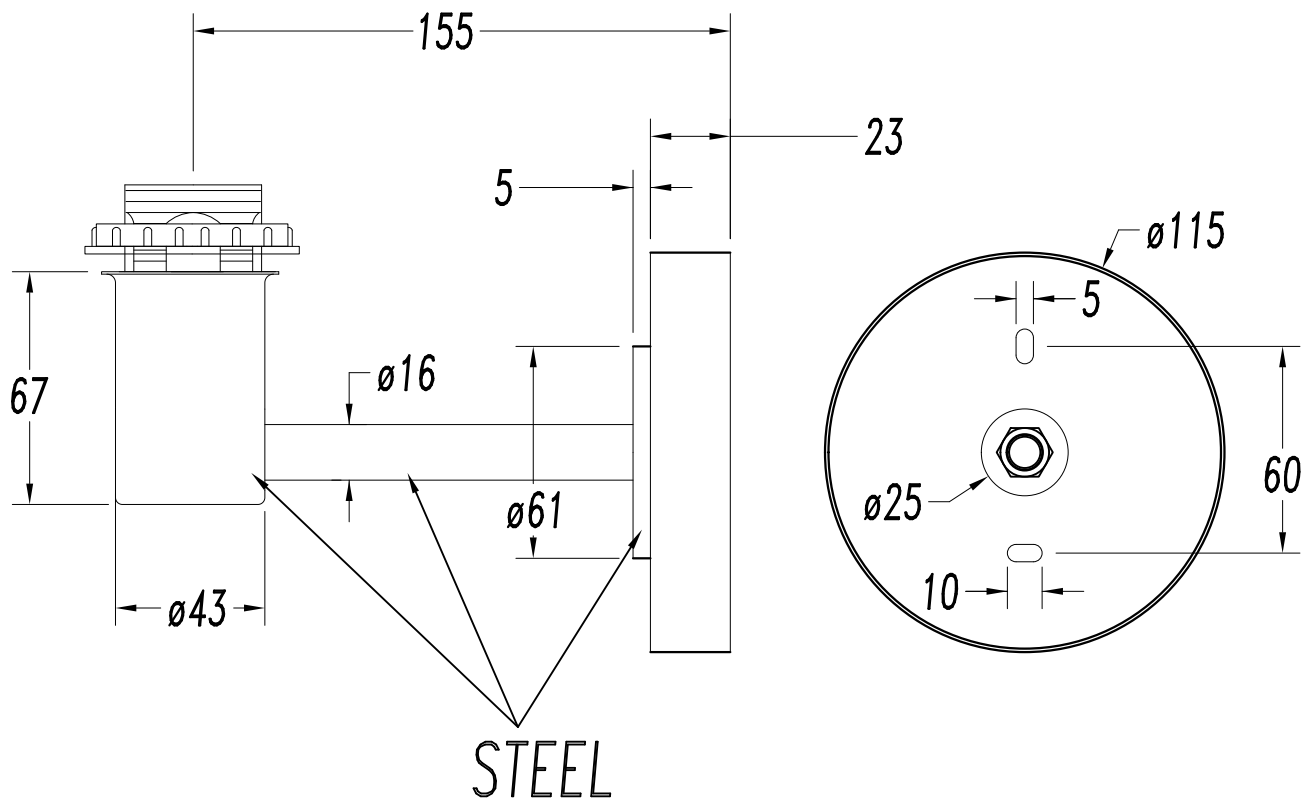


Shade, old copper, Ø235mm

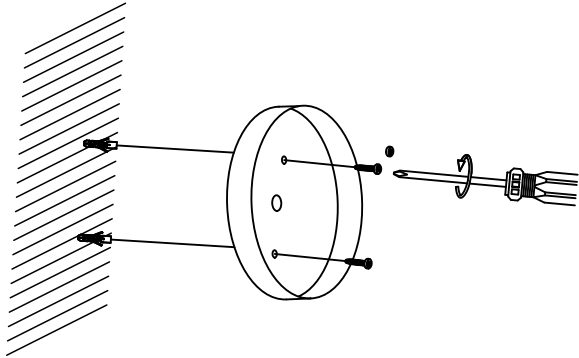
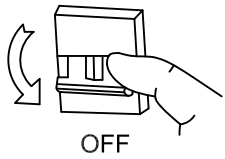
Structure material: Steel
Diffuser material: PVC
Diffuser finish: Antique copper



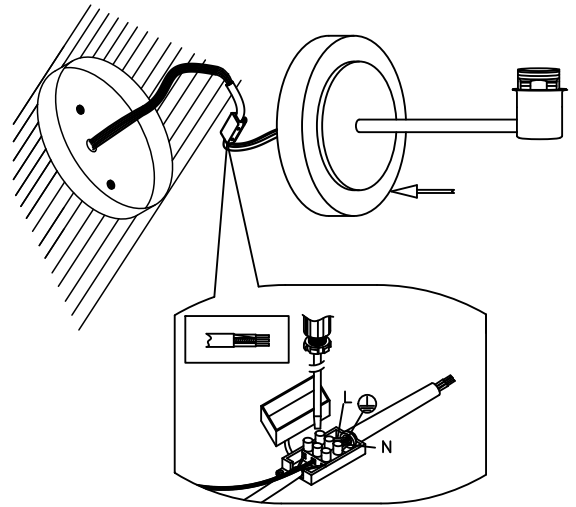
IP20 RF
850°C



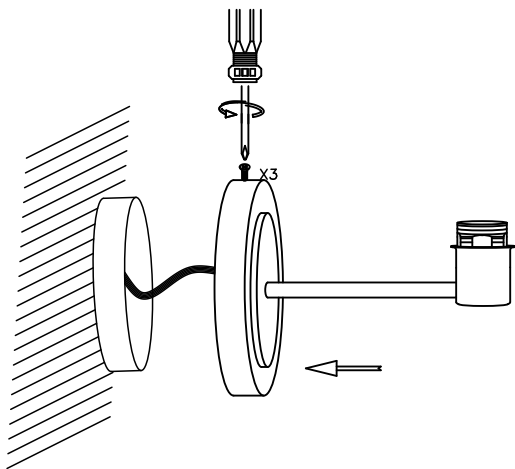
1



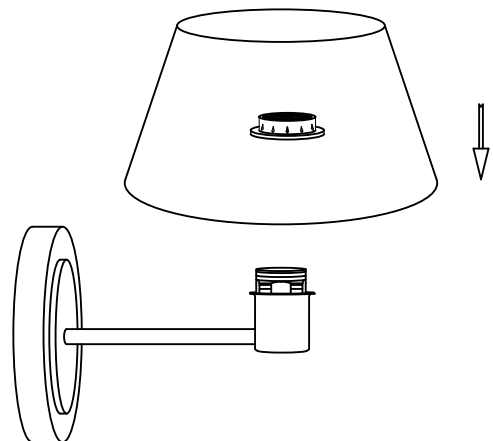
2



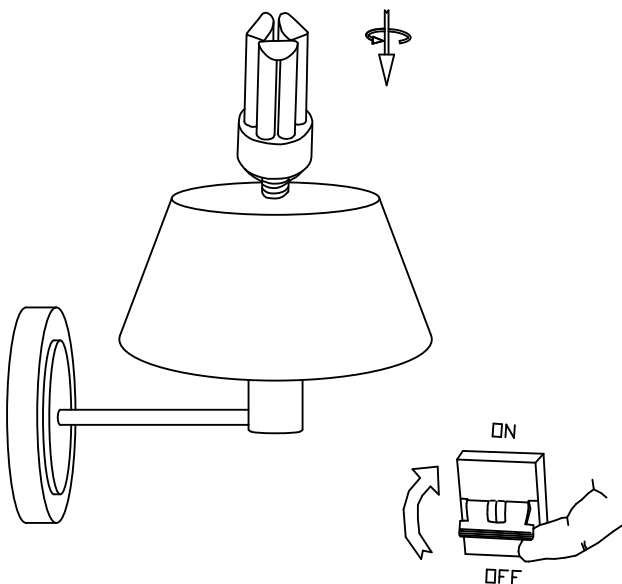
3



4



5



6

