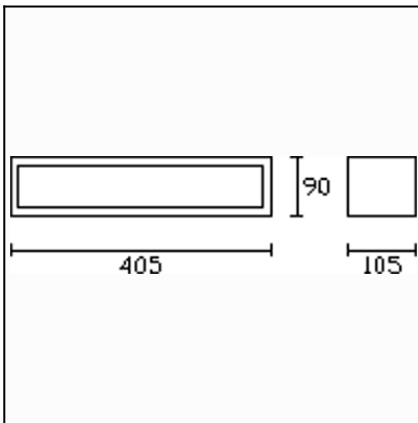




The photograph may not match the reference exactly. Please read the product description to identify the finish.



TECHNICAL CHARACTERISTICS

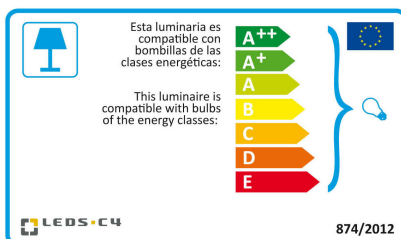
Type:	Wall fixture
IP Protection degrees:	IP44
Light source 1:	2 x E27 MAX 46W Maximum lamp length: 130.00 mm Maximum lamp diameter: 85.00 mm
Total power consumption (W):	92
Voltage / Frequency:	220-240V/50-60Hz
Warranty (Years):	2
Units per box:	8
Net Weight (Kg):	1.945
EAN:	8435381412104



MATERIALS / FINISHES

Structure material:	Steel	Diffuser material:	Glass
Structure finish:	Chrome	Diffuser finish:	Tinted

Download photometric file .ldt /.ies

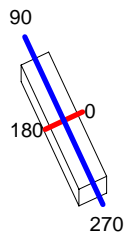


Click on image to download energy label

Luminaire		Measur.		Lamp		
Code	05-3213-21-B4	Code	05-3213-21-B4	Code	ECOClassic 42W 230	
Name	Aplique FLOW 2x42W E27	Name	Aplique FLOW 2x42W E27	Number	2	
Line	- LEDS-C4	Date	22-07-2014	Position	Universal	
Efficiency	48.76%	Coordinate system	CG	Total Flux	1260.00 lm	
Maximum value	94.69 cd	Position	C=0.00 G=40.00	Double Symmetrical		
Rectangular Luminaire	Length	405 mm	Width	90 mm	Height	105 mm
Rectangular Luminous Area	Length	405 mm	Width	90 mm	Height	105 mm
Horizontal Luminous Area	0.036450 m2	Emitting area on Plane 180°		0.042525 m2		
Emitting area on Plane 0°	0.042525 m2	Emitting area on Plane 270°		0.009450 m2		
Emitting area on Plane 90°	0.009450 m2	Glare area at 76°		0.050080 m2		
Symmetry Type	Double Symmetrical	Maximum Gamma Angle	180			
Measurement Distance	6.44	Measurement Flux	1066.00 lm			
Operator	Asselum T2	Source voltage	230.00 V			
Temperature	25.00 °C	Source current	Prc			
Humidity	44.00 %	Photocell				
Notes						

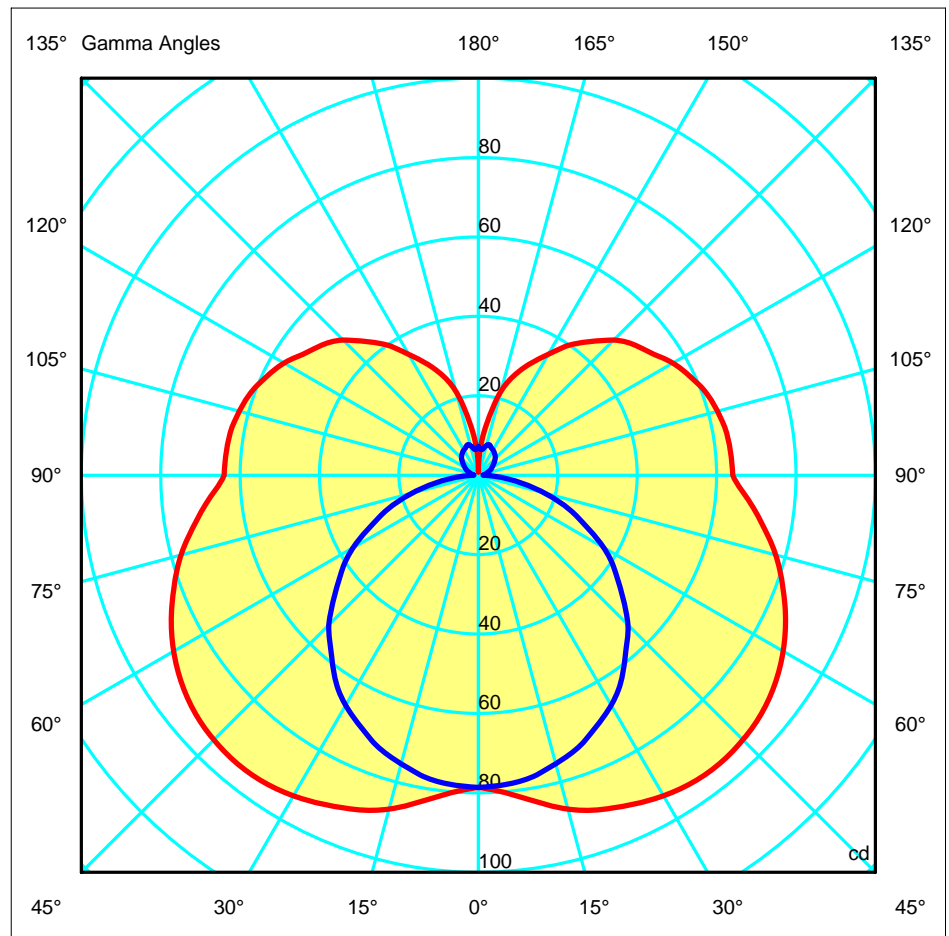
Luminaire Lamps					
Line	Code	Name	Flux [lm]	Pow. [W]	Q.ty
PHILIPS 2011 NOVES LAMPADES	ECOClassic 42W 230	ECOClassic 42W 230V E27	630.00	42.00	2
C.I.E.	31 60 83 67 49	D DIN 5040	B21		
F UTE	0.32 H + 0.16 T	B NBN	BZ 7 / 0.8 / BZ 6		

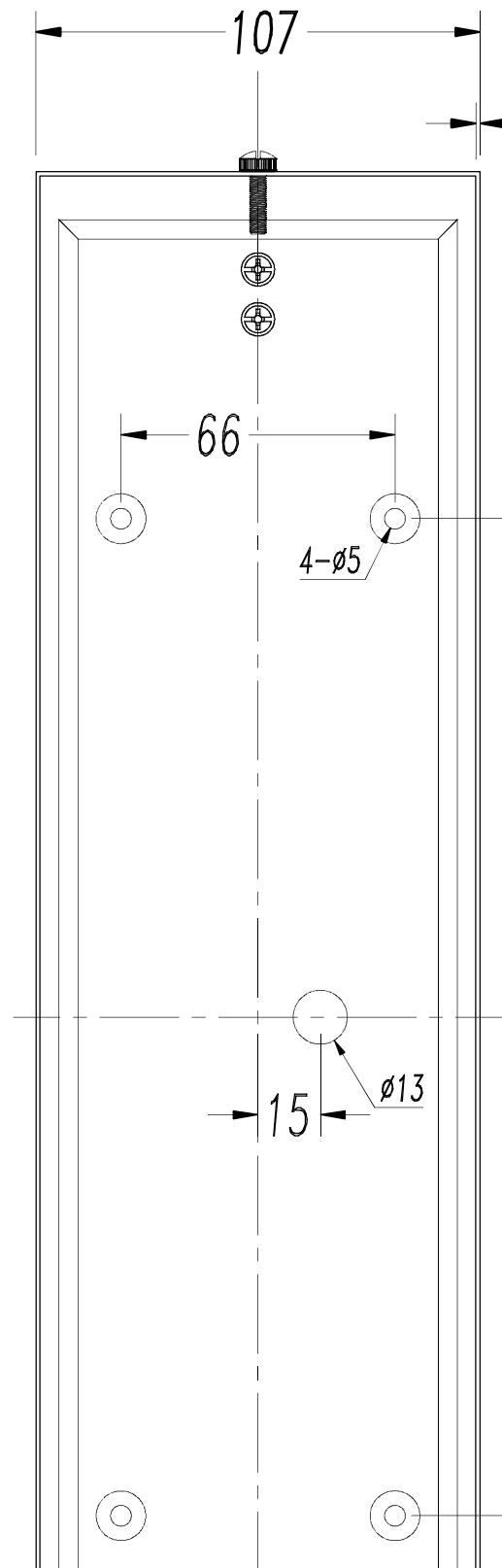
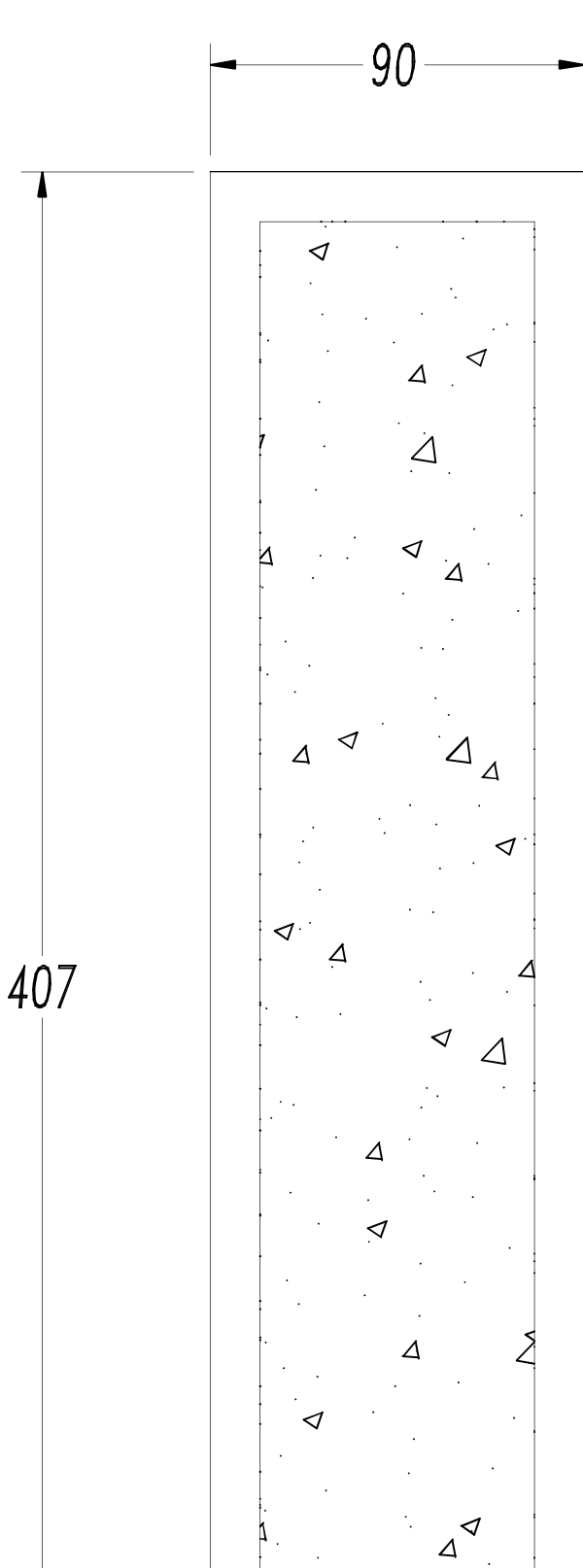
405mm x 90mm



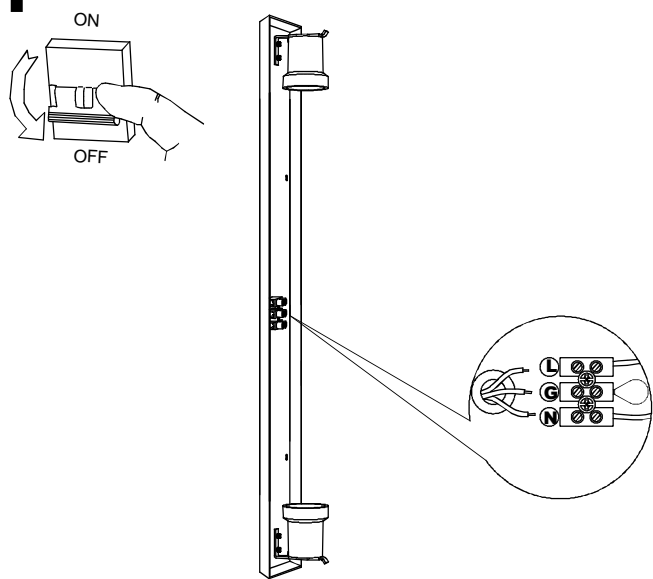
C Halfplanes
 180.0 — 0.0
 270.0 — 90.0

ULOR 16.28 %
 DLOR 32.48 %
 RN 33.39 %

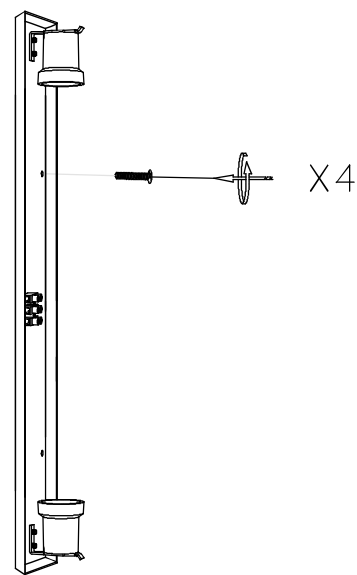




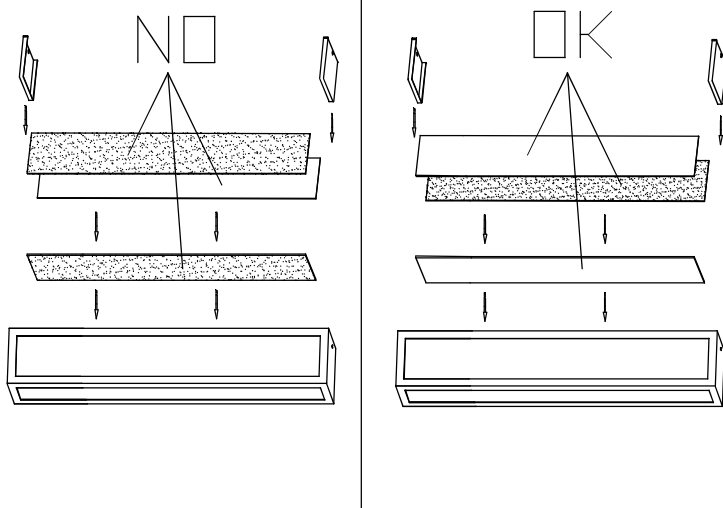
1



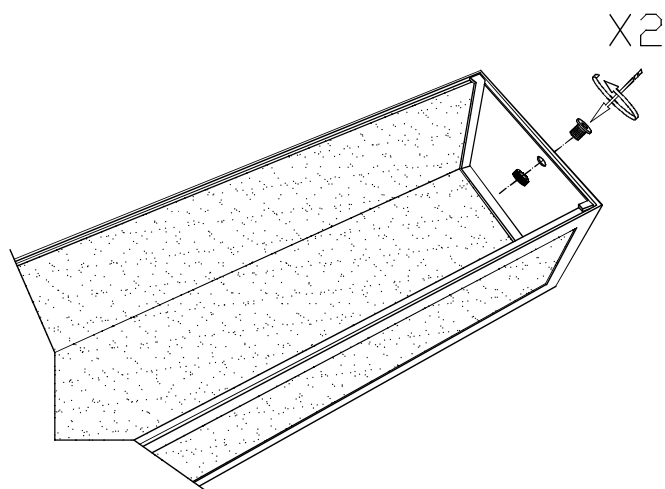
2



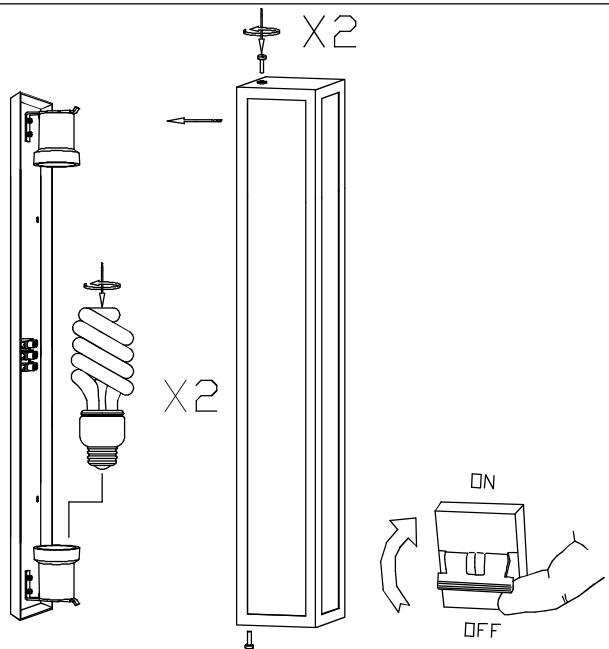
3



4



5



6

