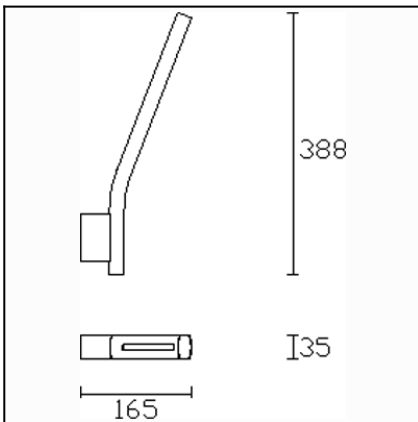




The photograph may not match the reference exactly. Please read the product description to identify the finish.



### TECHNICAL CHARACTERISTICS

Type:	Wall fixture
IP Protection degrees:	IP20
Light source 1:	24 x LED Samsung 6.3W Warm White - 3000K 770 lm <sup>(N)</sup> CRI 80
Voltage / Frequency:	100-240V/50-60Hz
Warranty (Years):	2
Option to extend the guarantee (Years):	5
Units per box:	8
Net Weight (Kg):	0.39
EAN:	8435381412081



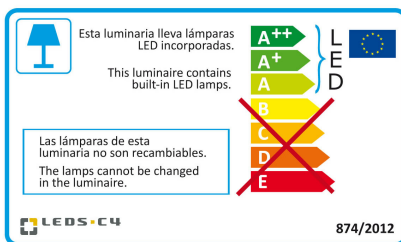
### MATERIALS / FINISHES

<b>Structure material:</b>	Aluminium Steel	<b>Diffuser material:</b>	Acrylic
<b>Structure finish:</b>	Matt white	<b>Diffuser finish:</b>	Matt opal

### GEAR

Multi-voltage electronic gear included (100-240V / 50-60Hz)

[Download photometric file .ldt / .ies](#)



[Click on image to download energy label](#)

Lm<sup>(N)</sup>: Nominal flow of light in actual working conditions. Its actual flow will depend on the environmental conditions and the efficiency of the optics and/or diffuser.

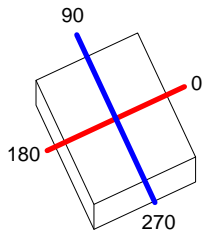
LEDS-C4 reserves the right to make the necessary technical changes they deem adequate, in order to improve the features of the product.  
Please consult the sales team to clarify any doubt.

(+34) 973 468 100  
leds-c4@leds-c4.com  
www.leds-c4.com

<b>Luminaire</b>		<b>Measur.</b>		<b>Lamp</b>		
Code	05-3251	Code	05-3251	Code	LED	
Name	LED WALL LIGHT	Name	LED WALL LIGHT	Number	1	
Line	ROAD	Date	22-05-2014	Position		
Efficiency	24.61%	Coordinate system	CG	Total Flux	768.00 lm	
Maximum value	100.20 cd	Position	C=300.00 G=3.00	Asymmetrical		
Rectangular Luminaire	Length	165 mm	Width	135 mm	Height	388 mm
Rectangular Luminous Area	Length	165 mm	Width	135 mm	Height	388 mm
Horizontal Luminous Area	0.022275 m2	Emitting area on Plane 180°		0.064020 m2		
Emitting area on Plane 0°	0.064020 m2	Emitting area on Plane 270°		0.052380 m2		
Emitting area on Plane 90°	0.052380 m2	Glare area at 76°		0.067507 m2		
Symmetry Type	Asymmetrical	Maximum Gamma Angle		90		
Measurement Distance	0.00	Measurement Flux		768.00 lm		
Operator		Source voltage				
Temperature	25.00 °C	Source current				
Humidity	60.00 %	Photocell				
Notes						

Line		Code		Luminaire Lamps		Flux [lm]	Pow. [W]	Q.ty
IESNA-1995		LED		Name XHG - 7.10 W		768.00	7.10	1
C.I.E.	57 84 97 100 25			D DIN 5040		A40		
F UTE	0.25 D			B NBN		BZ 3 / 4 / BZ 4		

165mm x 135mm



**C Halfplanes**

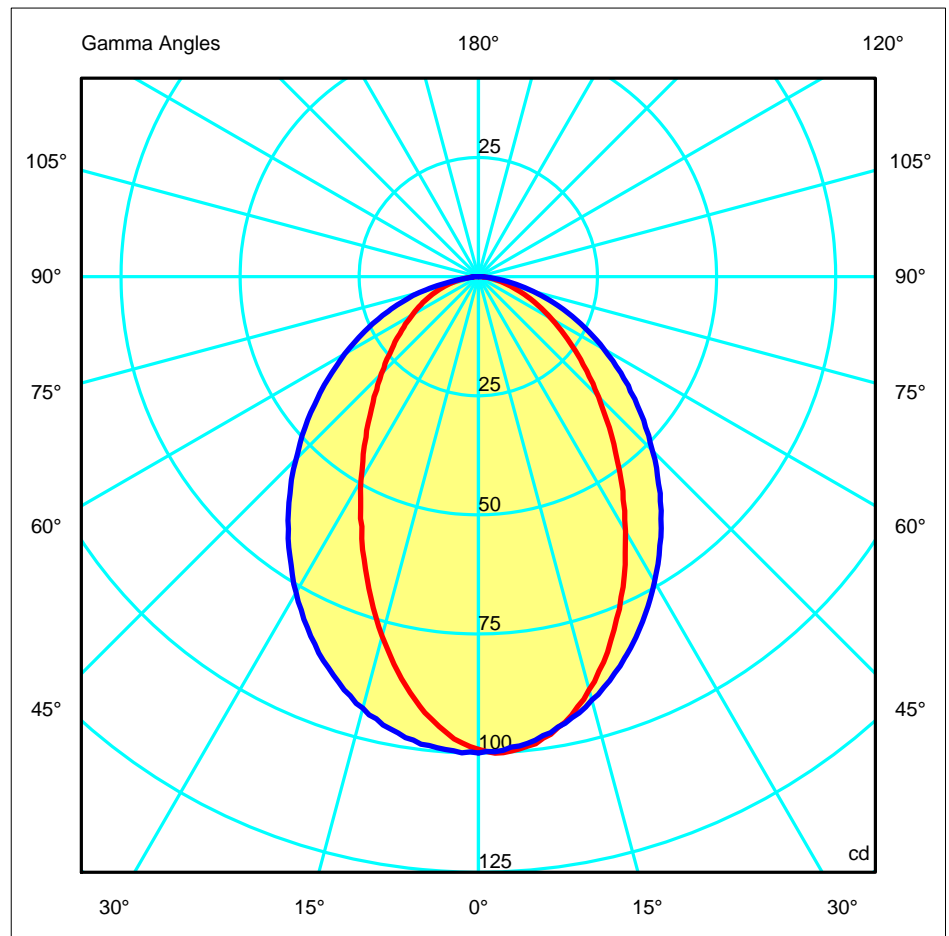
180.0 — 0.0

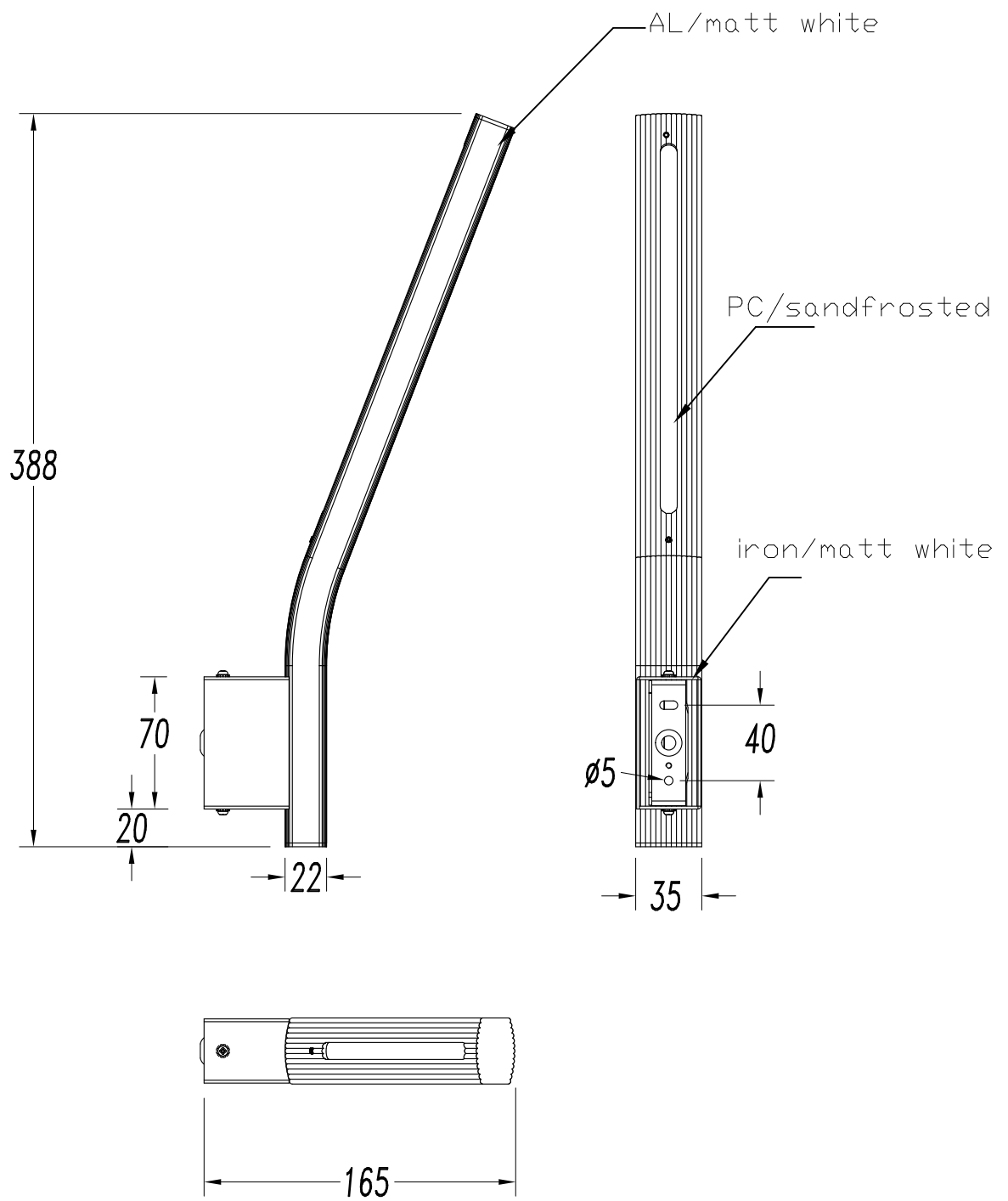
270.0 — 90.0

ULOR 0.00 %

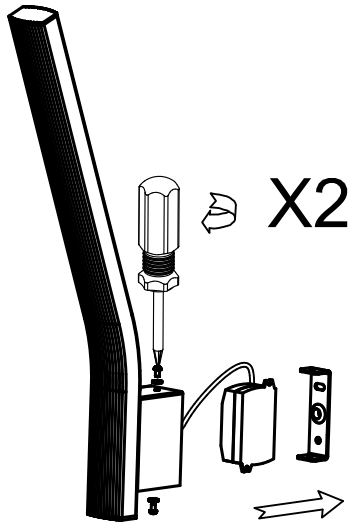
DLOR 24.61 %

RN 0.00 %

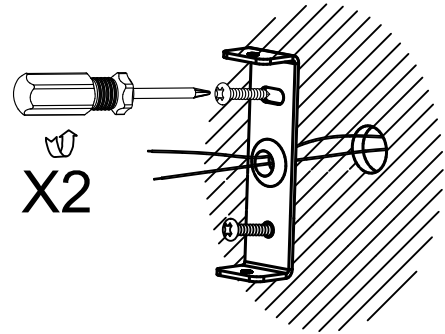
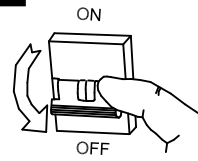




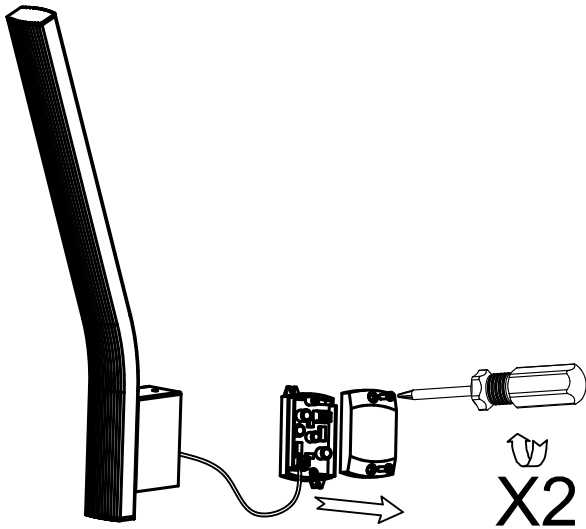
1



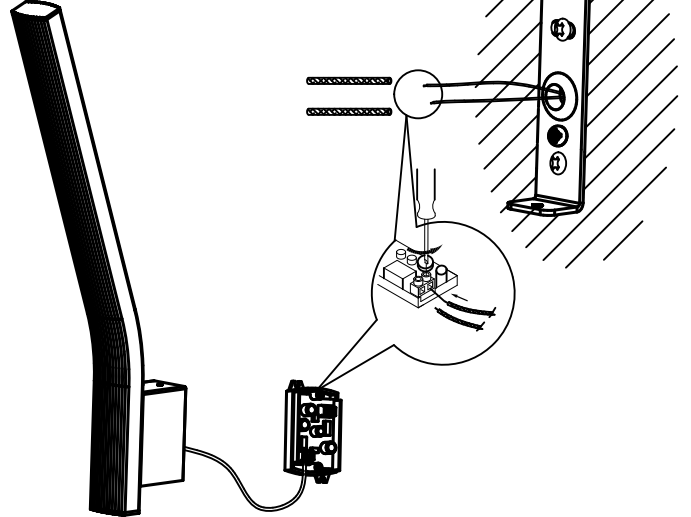
2



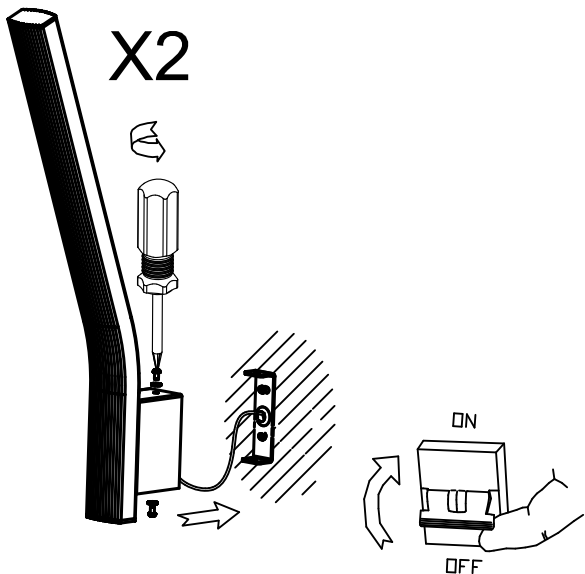
3



4



5



6

