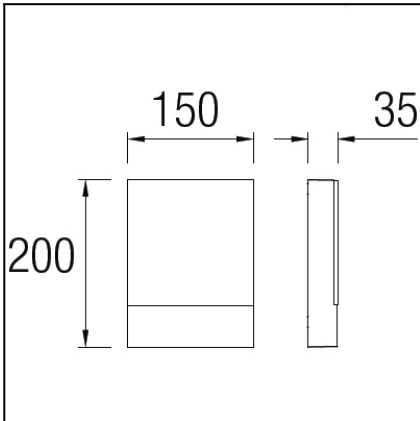


OUT 

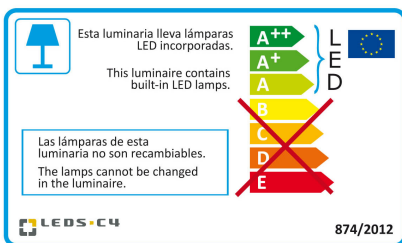
LOTTERY
05-9726-Z5-37



The photograph may not match the reference exactly. Please read the product description to identify the finish.



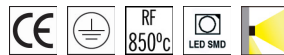
Download photometric file .ldt / .ies



Click on image to download energy label

TECHNICAL CHARACTERISTICS

Type:	Wall fixture
IP Protection degrees:	IP54
IK Protection degrees:	IK08
Light source 1:	60 x LED 3.4W Neutral white - 4000K 378 lm ^(N)
Total power consumption (W):	4.9W
Voltage / Frequency:	100-240V/50-60Hz
Warranty (Years):	2
Option to extend the guarantee (Years):	5
Units per box:	12
Net Weight (Kg):	0.94
EAN:	8435381412692



MATERIALS / FINISHES

Structure material:	High purity aluminium	Diffuser material:	Glass
Structure finish:	Urban grey	Diffuser finish:	Transparent

GEAR

Multi-voltage electronic gear included (110-240 V / 50-60 Hz)

Lm^(N): Nominal flow of light in actual working conditions. Its actual flow will depend on the environmental conditions and the efficiency of the optics and/or diffuser.

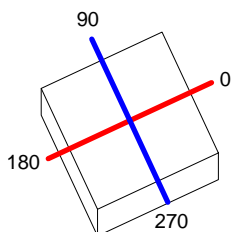
LEDS-C4 reserves the right to make the necessary technical changes they deem adequate, in order to improve the features of the product.
Please consult the sales team to clarify any doubt.

(+34) 973 468 100
leds-c4@leds-c4.com
www.leds-c4.com

Luminaire		Measur.		Lamp	
Code	05-9726 (SMALL WINDOW)	Code	05-9726 (SMALL WINDOW)	Code	
Name	WALL FIXTURES	Name	WALL FIXTURES	Number	60
Line	LOTTERY	Date	29-04-1994	Position	
Efficiency	25.69%	Coordinate system	CG	Total Flux	60.00 lm
Maximum value	11.65 cd	Position	C=135.00 G=1.00	Asymmetrical	
Rectangular Luminaire	Length	1 mm	Width	1 mm	Height
Rectangular Luminous Area	Length	1 mm	Width	1 mm	Height
Horizontal Luminous Area	0.000001 m2	Emitting area on Plane 180°		0.000000 m2	
Emitting area on Plane 0°	0.000000 m2	Emitting area on Plane 270°		0.000000 m2	
Emitting area on Plane 90°	0.000000 m2	Glare area at 76°		0.000000 m2	
Symmetry Type	Asymmetrical	Maximum Gamma Angle		90	
Measurement Distance	0.00	Measurement Flux		60.00 lm	
Operator		Source voltage			
Temperature	25.00 °C	Source current			
Humidity	60.00 %	Photocell			
Notes					

Line	Code	Luminaire Lamps		Flux [lm]	Pow. [W]	Q.ty
IESNA-2002		Name		1.00	0.00	60
C.I.E.	79 100 100 100 26	D DIN 5040	A60			
F UTE	0.26 B	B NBN	BZ 1			

1mm x 1mm



C Halfplanes

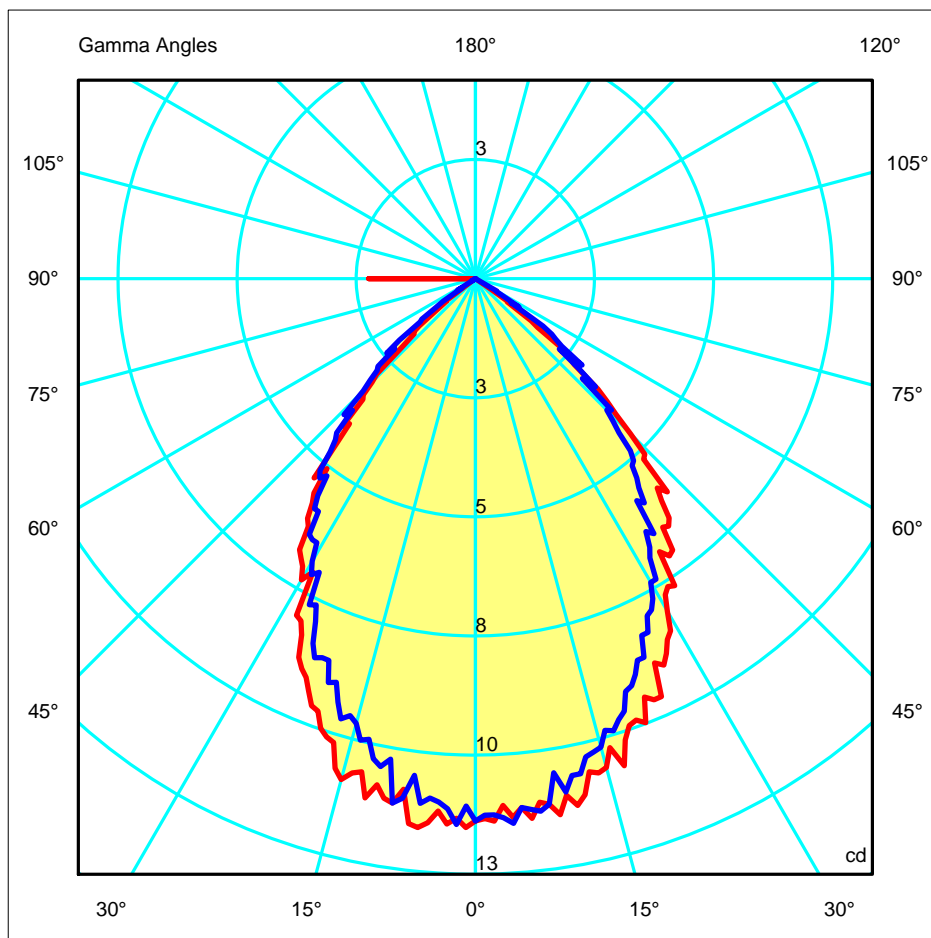
180.0 — 0.0

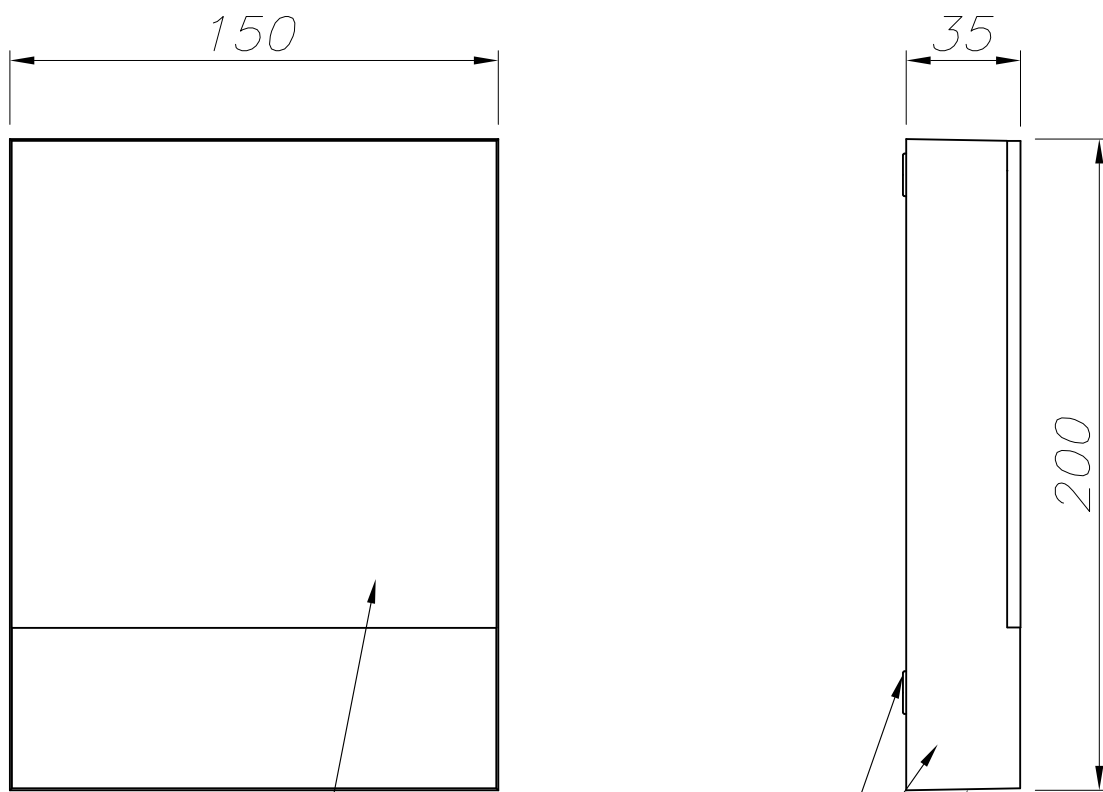
270.0 — 90.0

ULOR 0.00 %

DLOR 25.69 %

RN 0.00 %

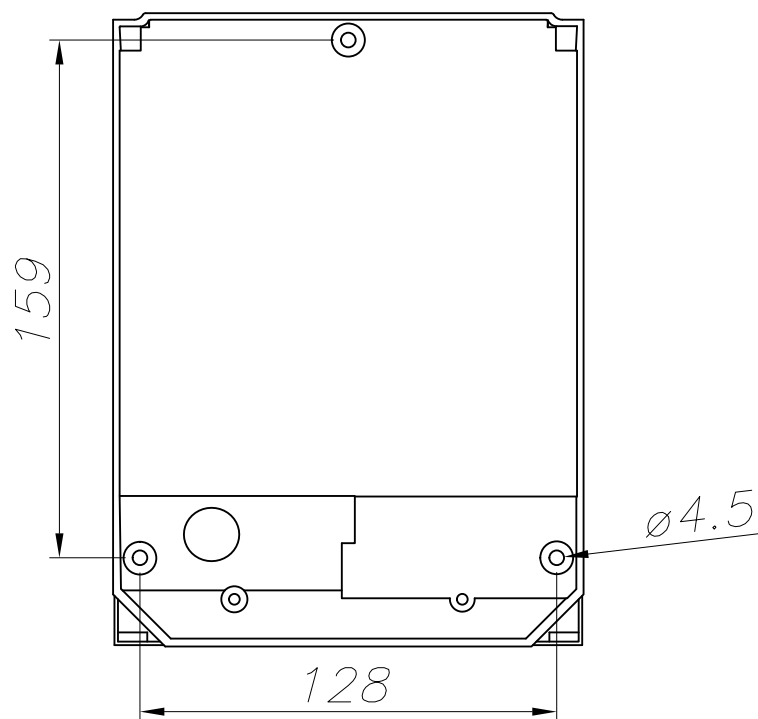




CRISTAL TRANSPARENTE
TRANSPARENT GLASS

ALUMINIO INYECTADO
INJECTED ALUMINIUM

CRISTAL TRANSPARENTE
TRANSPARENT GLASS



PLANTILLA DE INSTALACION
INSTALLATION TEMPLATE

