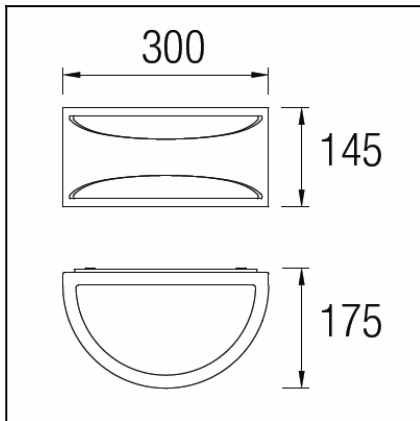




The photograph may not match the reference exactly. Please read the product description to identify the finish.



TECHNICAL CHARACTERISTICS

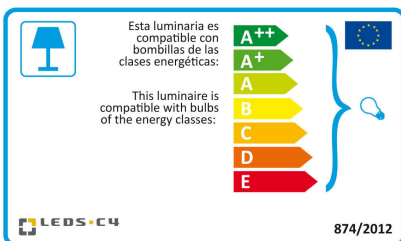
Type:	Wall fixture
IP Protection degrees:	IP65
IK Protection degrees:	IK09
Light source 1:	1 x E27 MAX 23W
Voltage / Frequency:	220-240V/50-60Hz
Warranty (Years):	2
Units per box:	6
Net Weight (Kg):	0.88
EAN:	8435381412630



MATERIALS / FINISHES

Structure material:	Polycarbonate + ABS	Diffuser material:	Polycarbonate
Structure finish:	Grey	Diffuser finish:	Opal

Download photometric file .ldt / .ies

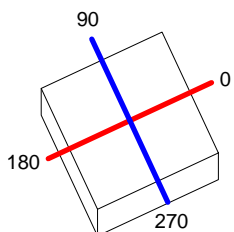


Click on image to download energy label

Luminaire		Measur.		Lamp		
Code	05-9735	Code	05-9735	Code	11	
Name	WALL FIXTURES	Name	WALL FIXTURES	Number	1	
Line	NAPOLI	Date	17-02-2014	Position		
Efficiency	29.68%	Coordinate system	CG	Total Flux	1400.00 lm	
Maximum value	68.14 cd	Position	C=180.00 G=179.00	Asymmetrical		
Rectangular Luminaire	Length	1 mm	Width	1 mm	Height	1 mm
Rectangular Luminous Area	Length	1 mm	Width	1 mm	Height	0 mm
Horizontal Luminous Area	0.000001 m2	Emitting area on Plane 180°		0.000000 m2		
Emitting area on Plane 0°	0.000000 m2	Emitting area on Plane 270°		0.000000 m2		
Emitting area on Plane 90°	0.000000 m2	Glare area at 76°		0.000000 m2		
Symmetry Type	Asymmetrical	Maximum Gamma Angle		180		
Measurement Distance	0.00	Measurement Flux		1400.00 lm		
Operator		Source voltage				
Temperature	25.00 °C	Source current				
Humidity	60.00 %	Photocell				
Notes						

Line		Code		Luminaire Lamps		Flux [lm]	Pow. [W]	Q.ty
Eulumdat		Name						
	11	11 - 21.50 W				1400.00	21.50	1
C.I.E.	42 72 90 49 30		D DIN 5040		C32			
F UTE	0.14 G + 0.15 T		B NBN		BZ 5			

1mm x 1mm



C Halfplanes

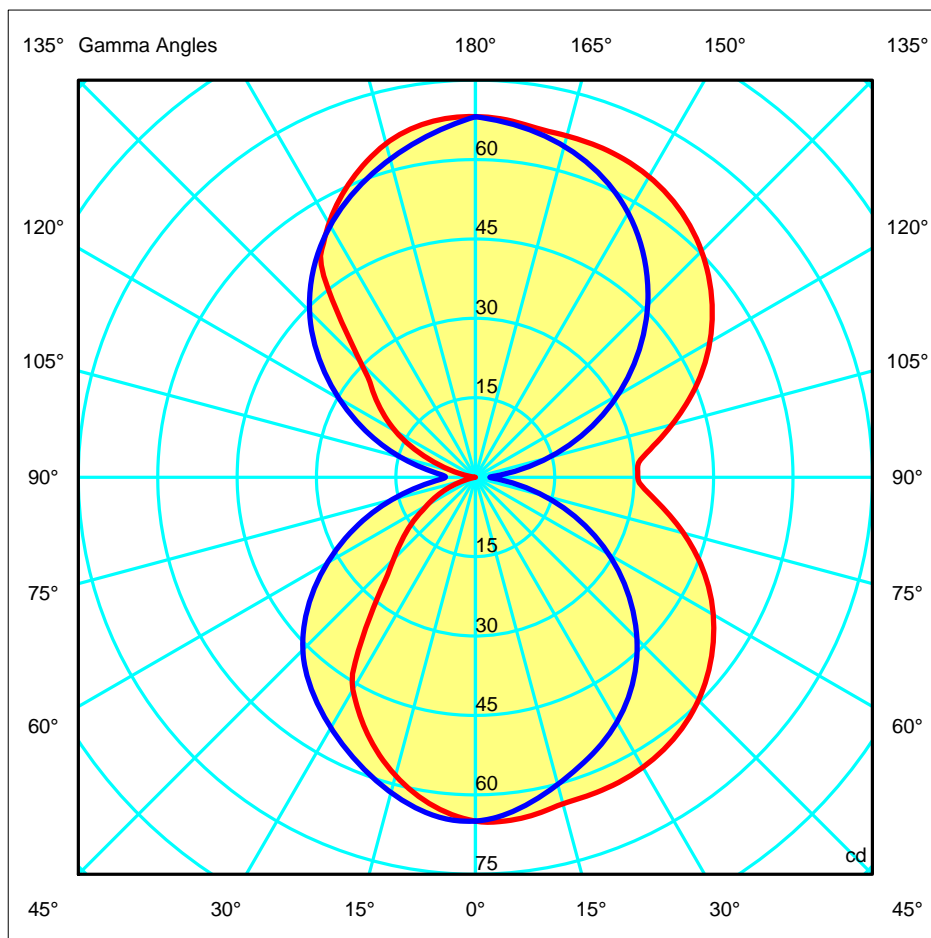
180.0 — 0.0

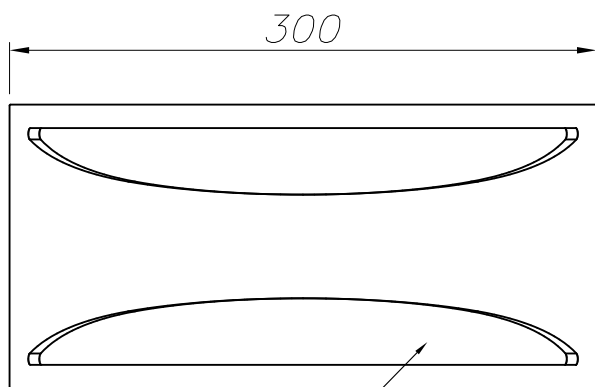
270.0 — 90.0

ULOR 15.26 %

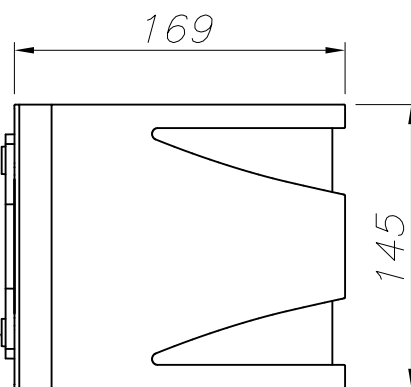
DLOR 14.42 %

RN 51.41 %

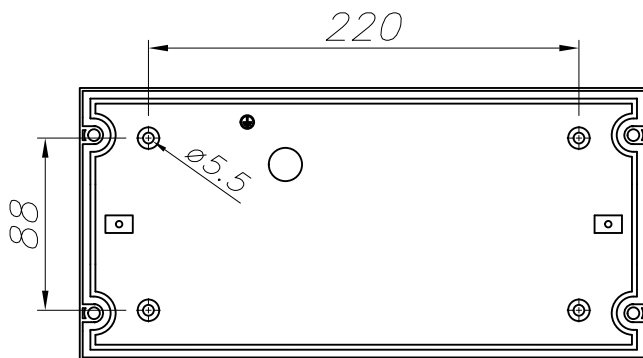
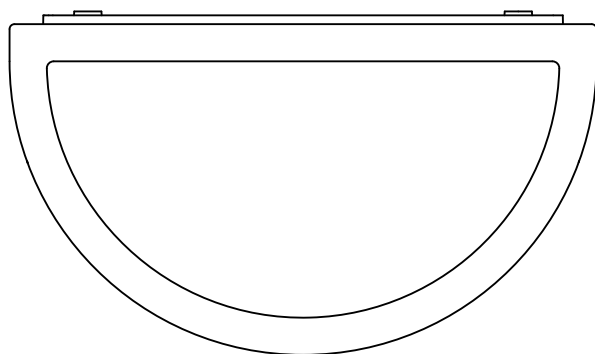




POLICARBONATO OPAL
OPAL POLYCARBONATE



PC+ABS
PC+ABS



PLANTILLA DE INSTALACION
INSTALLATION TEMPLATE

