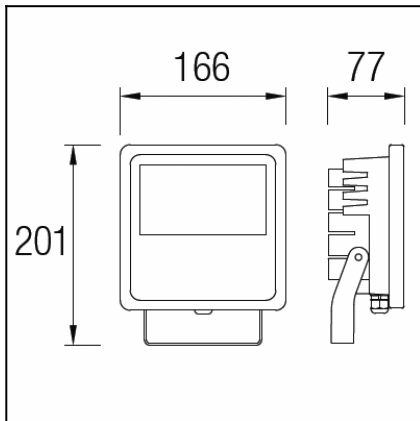
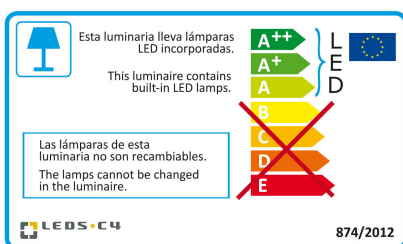




The photograph may not match the reference exactly. Please read the product description to identify the finish.



Download photometric file .ldt / .ies



Click on image to download energy label

### TECHNICAL CHARACTERISTICS

|                                  |  |
|----------------------------------|--|
| Type:                            | Spotlight  |
| IP Protection degrees:           | IP65   |
| IK Protection degrees:           | IK08   |
| Light source 1:                  | 1 x LED Citizen<br>20W<br>Warm White - 3000K<br>2000 lm <sup>(N)</sup><br>CRI 80 |
| Total power consumption (W):     | 20.9W  |
| Angle of the optics / Reflector: | 120°   |
| Voltage / Frequency:             | 100-240V/50-60Hz   |
| Warranty (Years):                | 5  |
| Units per box:                   | 6  |
| EAN:                             | 8435381408893  |



### MATERIALS / FINISHES

|                            |                            |                           |             |
|----------------------------|----------------------------|---------------------------|-------------|
| <b>Structure material:</b> | Technopolymer<br>Aluminium | <b>Diffuser material:</b> | Glass       |
| <b>Structure finish:</b>   | Black<br>Anodized          | <b>Diffuser finish:</b>   | Transparent |

### GEAR

Multi-voltage electronic gear included (110-240 V / 50-60 Hz)

Lm<sup>(N)</sup>: Nominal flow of light in actual working conditions. Its actual flow will depend on the environmental conditions and the efficiency of the optics and/or diffuser.

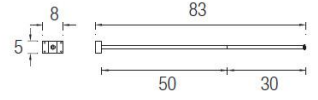
Leds-c4 reserves the right to make the necessary technical changes they deem adequate, in order to improve the features of the product.  
Please consult the sales team to clarify any doubt.

(+34) 973 468 100  
leds-c4@leds-c4.com  
www.leds-c4.com

71-9487-34-34



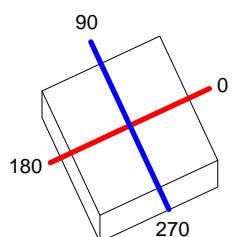
**Structure material:** Galvanized steel  
**Structure finish:** Grey



|                            |               |                             |                 |              |            |       |
|----------------------------|---------------|-----------------------------|-----------------|--------------|------------|-------|
| <b>Luminaire</b>           |               | <b>Measur.</b>              |                 | <b>Lamp</b>  |            |       |
| Code                       | 05-9739-05-37 | Code                        | 05-9739         | Code         | 11         |       |
| Name                       | SPOTLIGHTS    | Name                        | SPOTLIGHTS      | Number       | 1          |       |
| Line                       | PROY          | Date                        | 28-02-2014      | Position     |            |       |
| Efficiency                 | 73.34%        | Coordinate system           | CG              | Total Flux   | 2200.00 lm |       |
| Maximum value              | 699.66 cd     | Position                    | C=90.00 G=25.00 | Asymmetrical |            |       |
| Rectangular Luminaire      | Length        | 175 mm                      | Width           | 166 mm       | Height     | 83 mm |
| Rectangular Luminous Area  | Length        | 175 mm                      | Width           | 166 mm       | Height     | 83 mm |
| Horizontal Luminous Area   | 0.029050 m2   | Emitting area on Plane 180° |                 | 0.014525 m2  |            |       |
| Emitting area on Plane 0°  | 0.014525 m2   | Emitting area on Plane 270° |                 | 0.013778 m2  |            |       |
| Emitting area on Plane 90° | 0.013778 m2   | Glare area at 76°           |                 | 0.021121 m2  |            |       |
| Symmetry Type              | Asymmetrical  | Maximum Gamma Angle         |                 | 90           |            |       |
| Measurement Distance       | 0.00          | Measurement Flux            |                 | 2200.00 lm   |            |       |
| Operator                   |               | Source voltage              |                 |              |            |       |
| Temperature                | 25.00 °C      | Source current              |                 |              |            |       |
| Humidity                   | 60.00 %       | Photocell                   |                 |              |            |       |
| Notes                      |               |                             |                 |              |            |       |

| Line     |                  | Code |  | Luminaire Lamps |                    | Flux [lm] | Pow. [W] | Q.ty |
|----------|------------------|------|--|-----------------|--------------------|-----------|----------|------|
| Eulumdat |                  | 11   |  | Name            |                    | 2200.00   | 20.70    | 1    |
| C.I.E.   | 61 96 100 100 73 |      |  | 11 - 20.70 W    |                    |           |          |      |
| F UTE    | 0.73 C           |      |  | D DIN 5040      | A50                |           |          |      |
|          |                  |      |  | B NBN           | BZ 3 / 1.25 / BZ 2 |           |          |      |

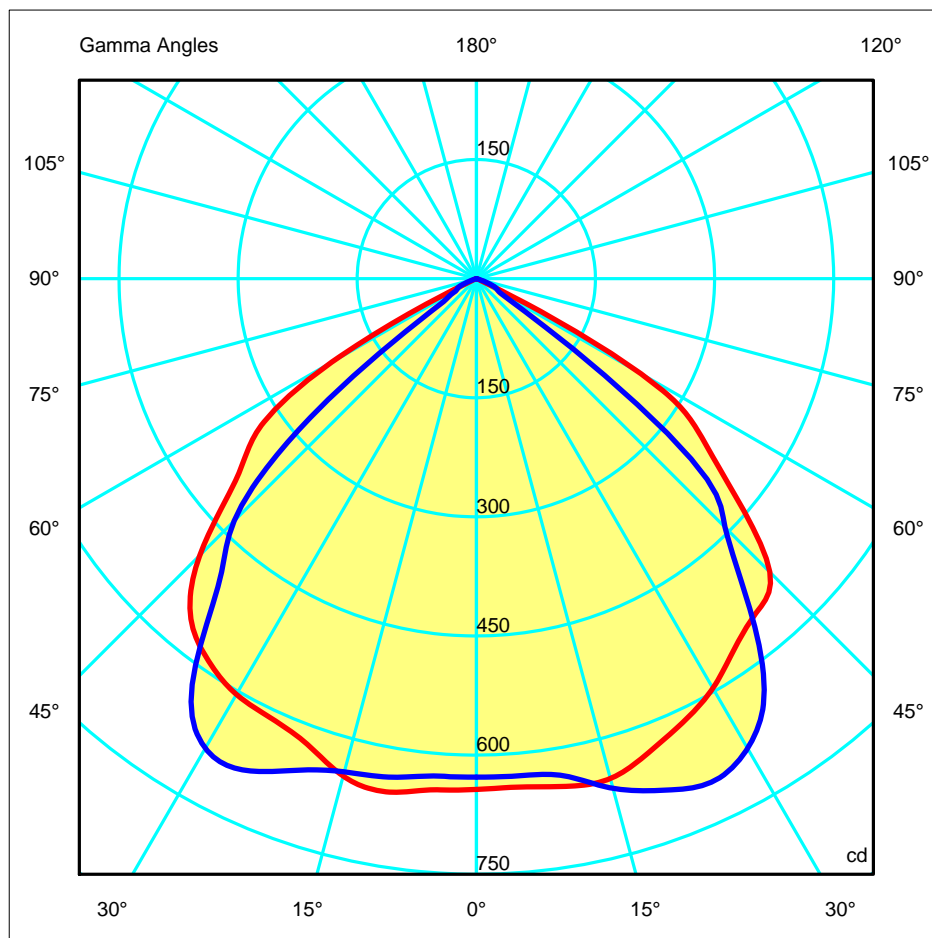
175mm x 166mm

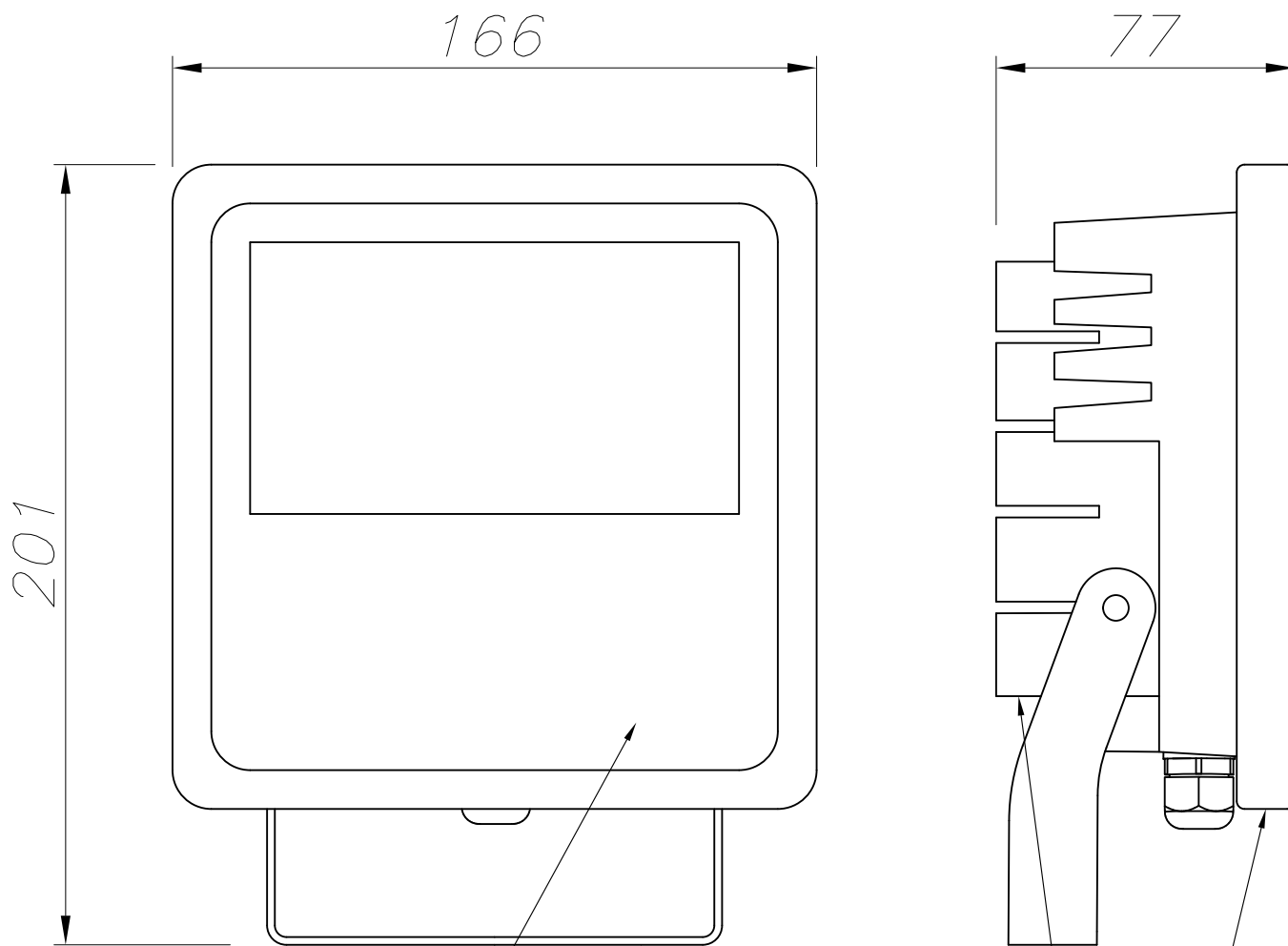


C Halfplanes

180.0 — 0.0  
270.0 — 90.0

ULOR 0.00 %  
DLOR 73.34 %  
RN 0.00 %



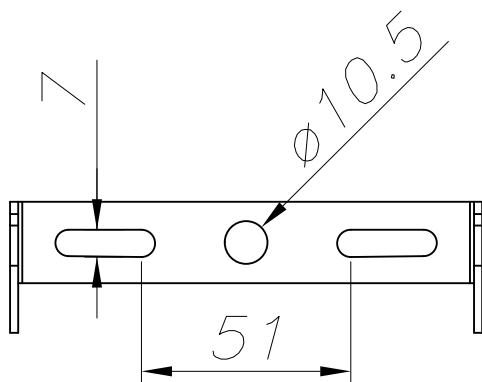


CRISTAL TRANSPARENTE  
TRANSPARENT GLASS

ACERO INOXIDABLE AISI 202  
STAINLESS STEEL AISI 202

EXTRUDED ALUMINIUM  
ALUMINIO EXTRUDIDO

TERMOPLASTICO INYECTADO  
INJECTED THERMOPLASTIC



PLANTILLA DE INSTALACION  
INSTALLATION TEMPLATE

