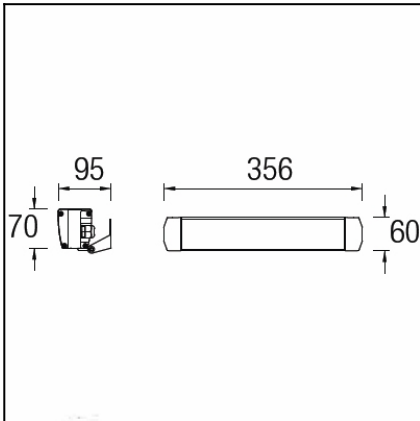


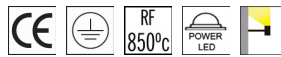


The photograph may not match the reference exactly. Please read the product description to identify the finish.

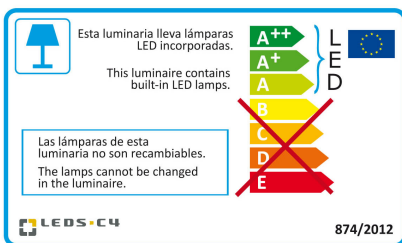


TECHNICAL CHARACTERISTICS

Type:	Wall fixture
Adjustable:	Adjustable $\pm 90^\circ$ on the horizontal axis.
IP Protection degrees:	IP65
IK Protection degrees:	IK03
Light source 1:	6 x LED Cree 12W Neutral white - 4000K 978 lm ^(N) CRI 75
Total power consumption (W):	15.6W
Angle of the optics / Reflector:	40x9°
Voltage / Frequency:	100-240V/50-60Hz
Warranty (Years):	2
Option to extend the guarantee (Years):	5
Units per box:	4
Net Weight (Kg):	1.39
EAN:	8435381412852



Download photometric file .ldt / .ies



Click on image to download energy label

MATERIALS / FINISHES

Structure material:	Extruded aluminium	Diffuser material:	Glass
Structure finish:	Anodized	Diffuser finish:	Transparent

GEAR

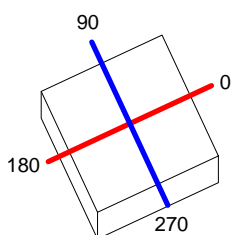
Multi-voltage electronic gear included (100-240V / 50-60Hz)

Lm^(N): Nominal flow of light in actual working conditions. Its actual flow will depend on the environmental conditions and the efficiency of the optics and/or diffuser.

Luminaire		Measur.		Lamp		
Code	05-9749	Code	05-9749	Code	11	
Name	wall washers	Name	wall washers	Number	6	
Line	CONVERT	Date	12-02-2014	Position		
Efficiency	64.63%	Coordinate system	CG	Total Flux	1020.00 lm	
Maximum value	4122.39 cd	Position	C=105.00 G=3.00	Asymmetrical		
Rectangular Luminaire	Length	1 mm	Width	1 mm	Height	1 mm
Rectangular Luminous Area	Length	1 mm	Width	1 mm	Height	0 mm
Horizontal Luminous Area	0.000001 m2	Emitting area on Plane 180°		0.000000 m2		
Emitting area on Plane 0°	0.000000 m2	Emitting area on Plane 270°		0.000000 m2		
Emitting area on Plane 90°	0.000000 m2	Glare area at 76°		0.000000 m2		
Symmetry Type	Asymmetrical	Maximum Gamma Angle		90		
Measurement Distance	0.00	Measurement Flux		1020.00 lm		
Operator		Source voltage				
Temperature	25.00 °C	Source current				
Humidity	60.00 %	Photocell				
Notes						

Line		Code		Luminaire Lamps		Flux [lm]	Pow. [W]	Q.ty
Eulumdat		Name						
	11	11 - 2.53 W				170.00	2.53	6
C.I.E.	96 99 100 100 65			D DIN 5040	A60			
F UTE	0.65 A			B NBN	BZ 1			

1mm x 1mm



C Halfplanes

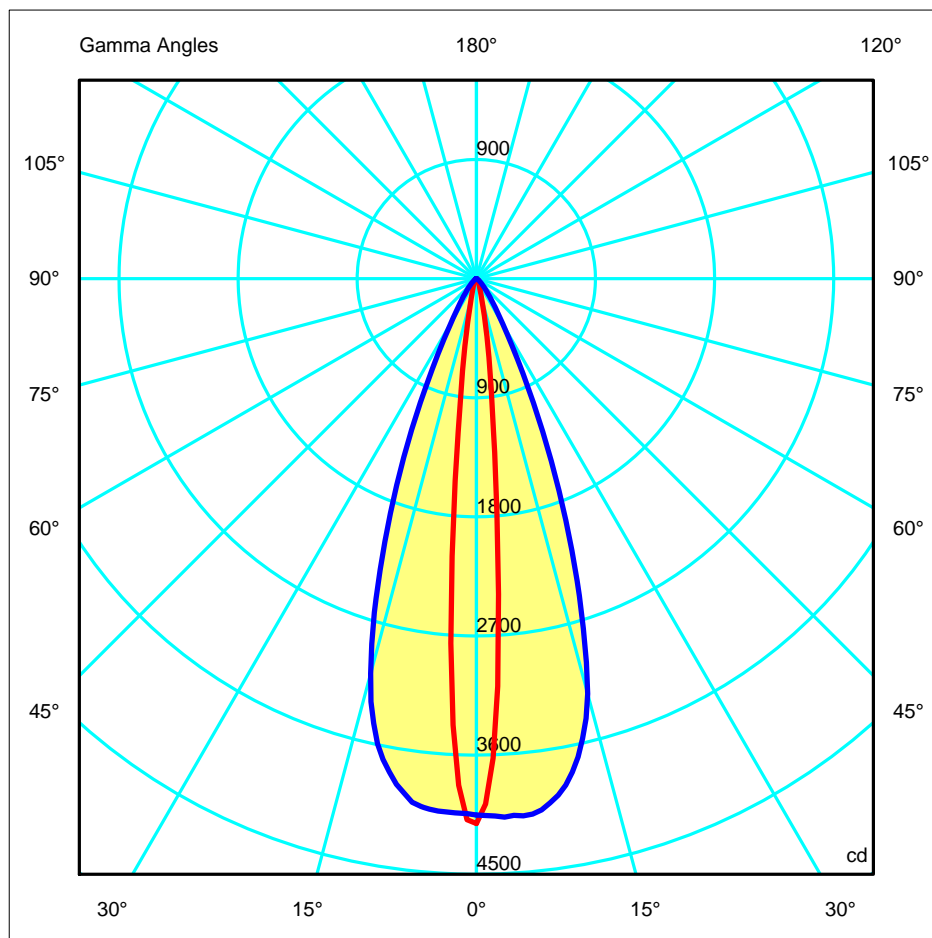
180.0 — 0.0

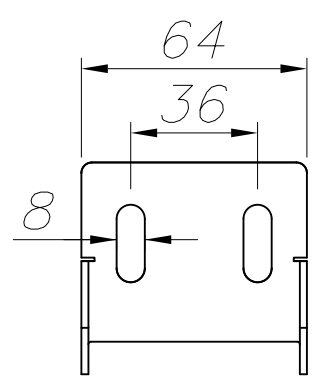
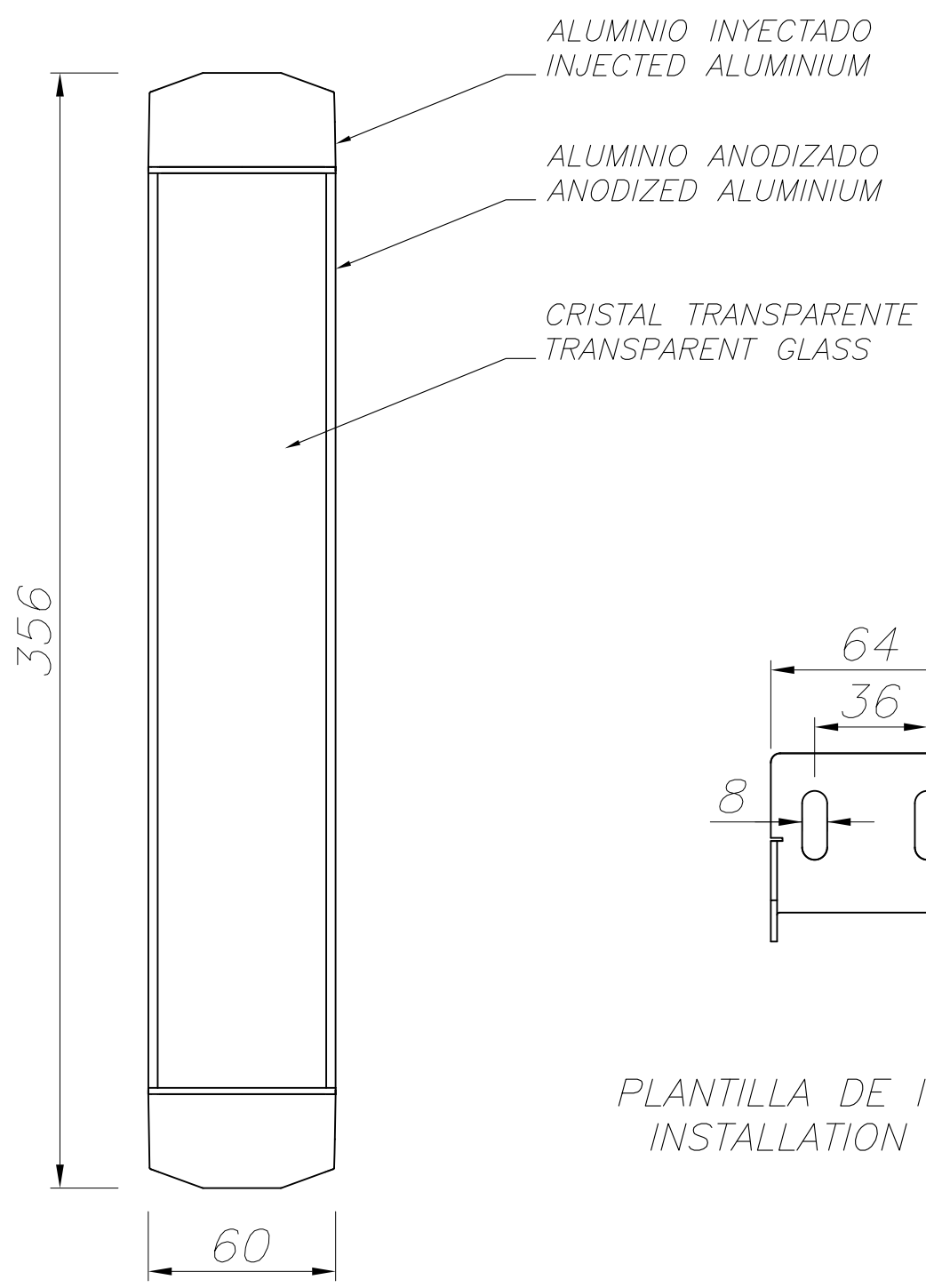
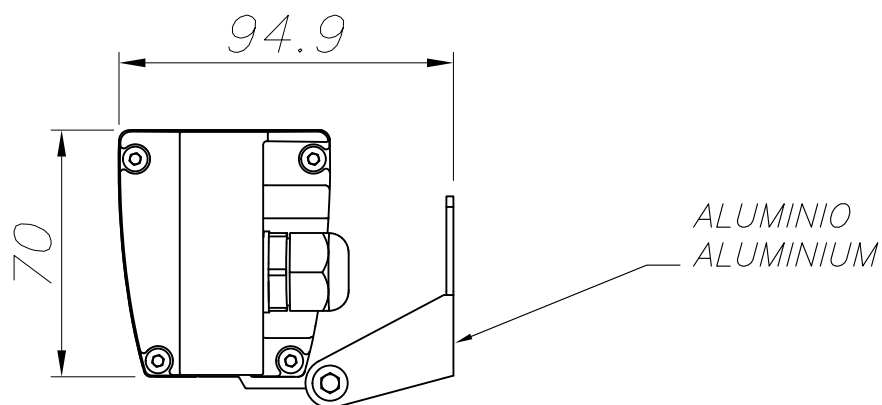
270.0 — 90.0

ULOR 0.00 %

DLOR 64.63 %

RN 0.00 %





PLANTILLA DE INSTALACION
INSTALLATION TEMPLATE

