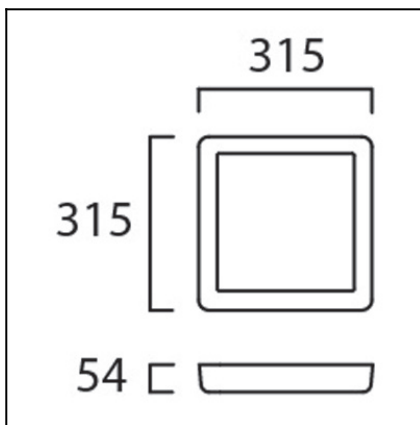
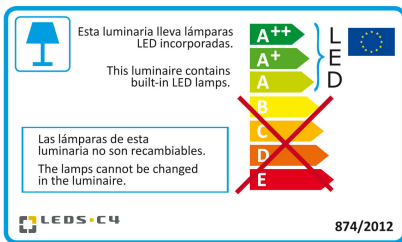


Design by Josep Patsí


The photograph may not match the reference exactly. Please read the product description to identify the finish.


[Download photometric file .ldt /.ies](#)


Click on image to download energy label

TECHNICAL CHARACTERISTICS

Type:	Ceiling fixture
IP Protection degrees:	IP23
Light source 1:	1 x LED 30W Warm White - 3000K 2880 lm ^(N) CRI 80
Voltage / Frequency:	100-240V/50-60Hz
Warranty (Years):	2
Option to extend the guarantee (Years):	5
Units per box:	4
Net Weight (Kg):	2.55


MATERIALS / FINISHES

Structure material:	Polyurethane Aluminium	Diffuser material:	Polystyrene
Structure finish:	Matt white	Diffuser finish:	Opal

GEAR

Multi-voltage electronic gear included (110-240 V / 50-60 Hz)

Lm^(N): Nominal flow of light in actual working conditions. Its actual flow will depend on the environmental conditions and the efficiency of the optics and/or diffuser.

Leds-c4 reserves the right to make the necessary technical changes they deem adequate, in order to improve the features of the product.
Please consult the sales team to clarify any doubt.

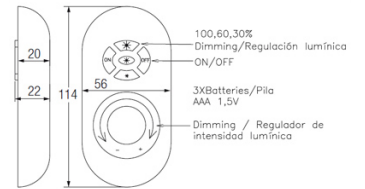
(+34) 973 468 100
leds-c4@leds-c4.com
www.leds-c4.com



71-2241-00-00



Controller with remote control

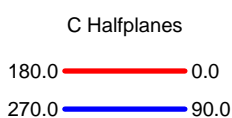
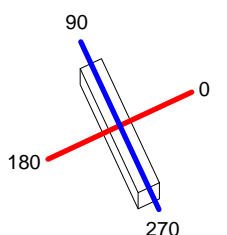


IP20

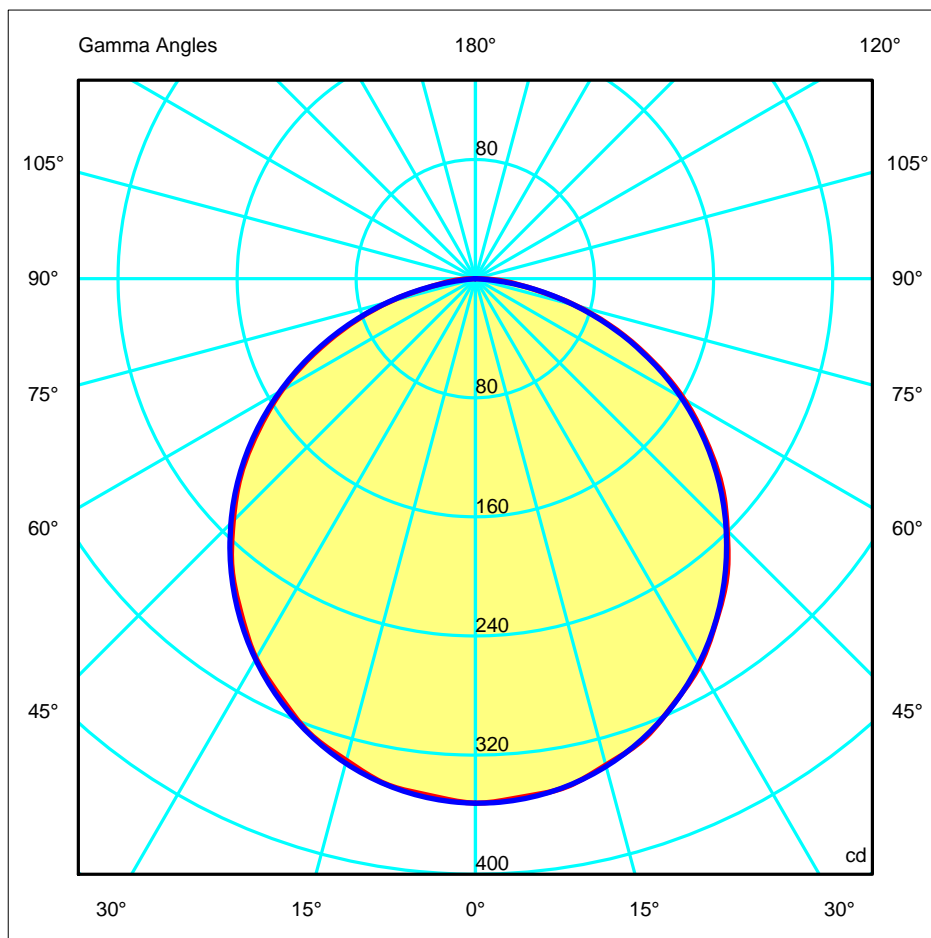
Luminaire		Measur.		Lamp		
Code	15-3536	Code	15-3536	Code	1900	
Name	Ceiling fixtures	Name	Ceiling fixtures	Number	1	
Line	Eulumdat	Date	30-06-2014	Position		
Efficiency	72.60%	Coordinate system	CG	Total Flux	1378.00 lm	
Maximum value	352.22 cd	Position	C=0.00 G=0.00	Asymmetrical		
Rectangular Luminaire	Length	315 mm	Width	54 mm	Height	315 mm
Rectangular Luminous Area	Length	300 mm	Width	54 mm	Height	300 mm
Horizontal Luminous Area	0.016200 m2	Emitting area on Plane 180°		0.090000 m2		
Emitting area on Plane 0°	0.090000 m2	Emitting area on Plane 270°		0.016200 m2		
Emitting area on Plane 90°	0.016200 m2	Glare area at 76°		0.091246 m2		
Symmetry Type	Asymmetrical	Maximum Gamma Angle		180		
Measurement Distance	0.00	Measurement Flux		1378.00 lm		
Operator		Source voltage				
Temperature	25.00 °C	Source current				
Humidity	60.00 %	Photocell				
Notes						

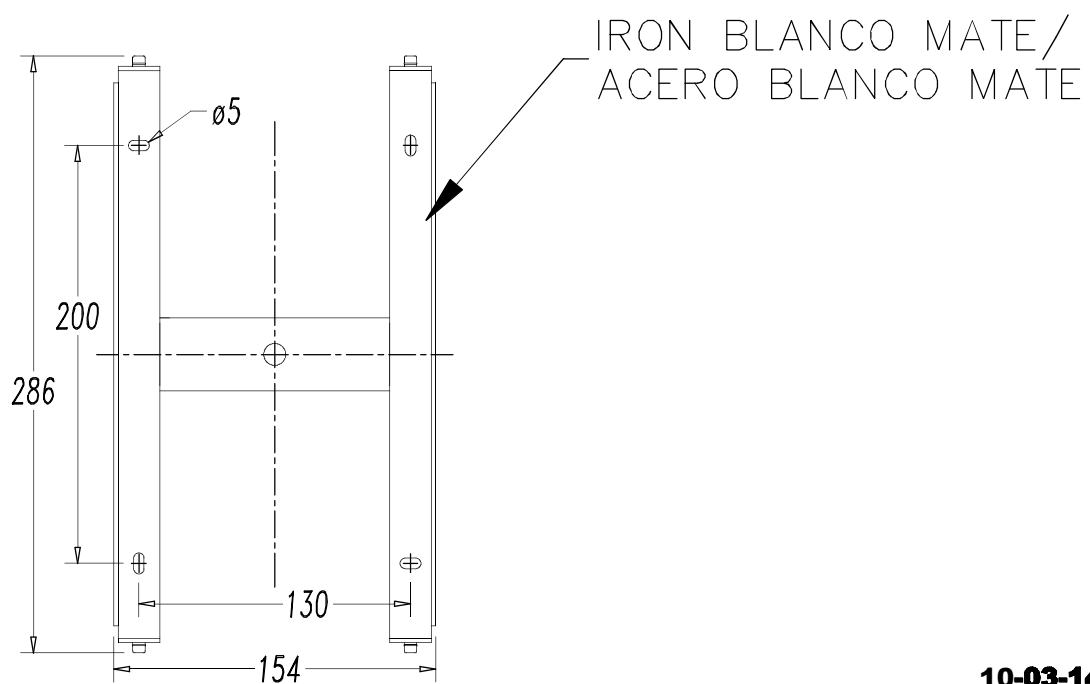
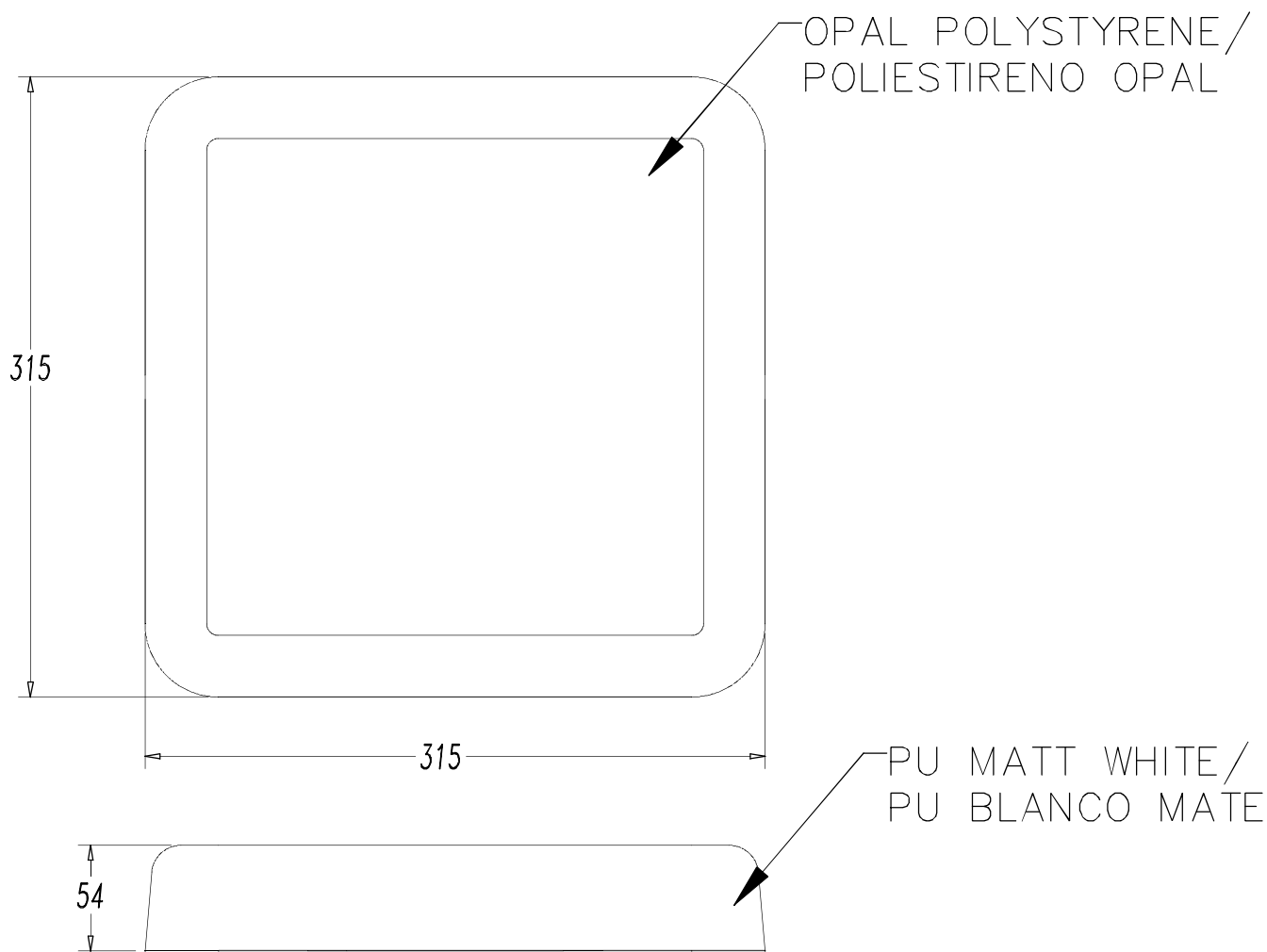
Luminaire Lamps						
Line	Code	Name	Flux [lm]	Pow. [W]	Q.ty	
Eulumdat	1900	1900 - 30.00 W	1378.00	30.00	1	
C.I.E.	47 79 96 100 73	D DIN 5040	A30			
F UTE	0.73 E	B NBN	BZ 5 / 0.8 / BZ 4			

315mm x 54mm

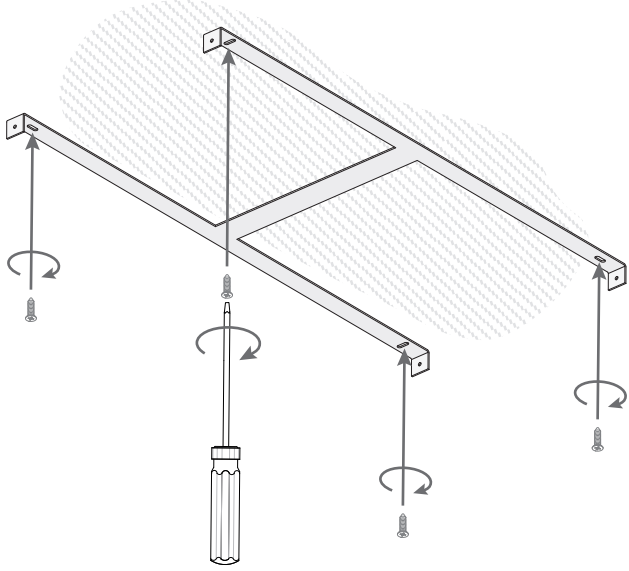


ULOR 0.00 %
DLOR 72.60 %
RN 0.00 %

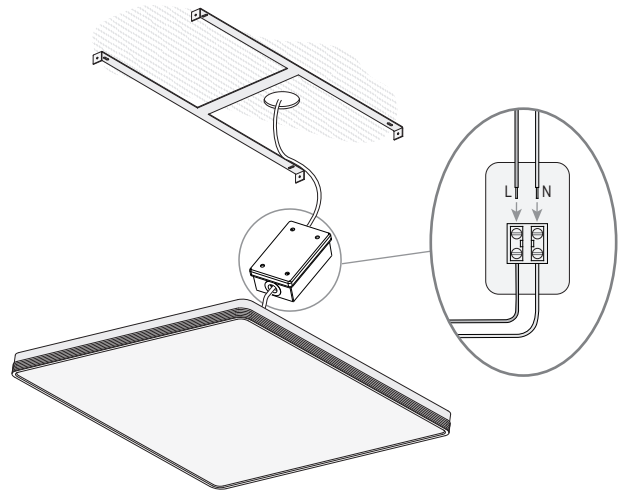




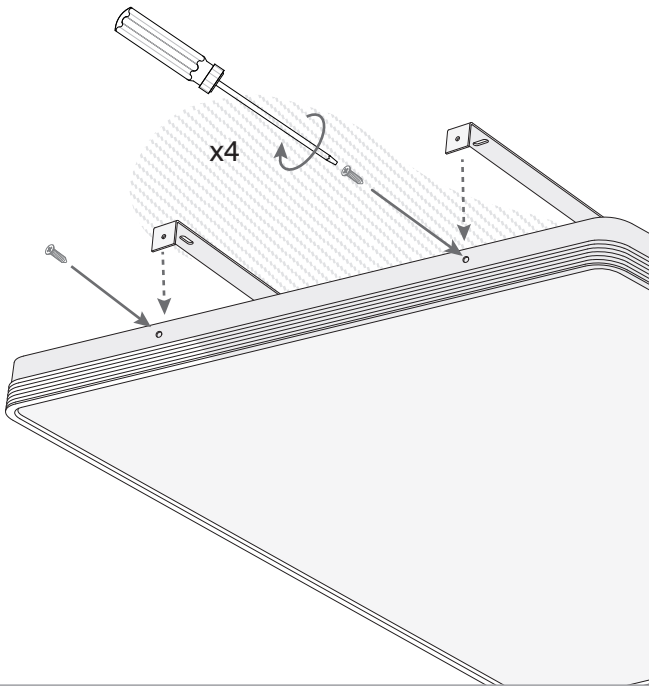
1



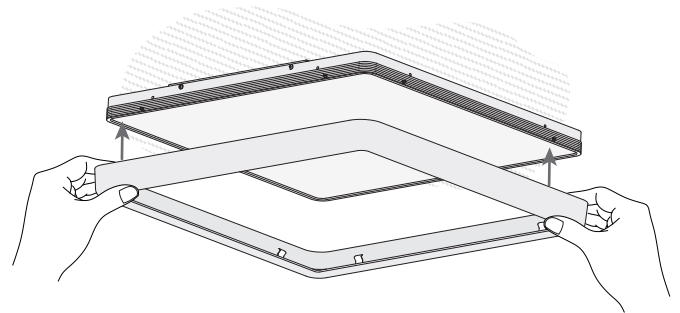
2



3



4



5

