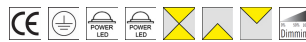




TECHNICAL CHARACTERISTICS

Type:	Floor lamp
Adjustable:	Adjustable from 0° to 90° on the horizontal axis Adjustable ±180° on the vertical axis
IP Protection degrees:	IP20
Light source 1:	9 x LED Cree 19.8W Warm White - 3000K 1540 lm ^(N) CRI 80
Light source 2:	1 x LED Cree 2.2W Warm White - 3000K 170 lm ^(N) CRI 80
Voltage / Frequency:	100-240V/50-60Hz
Warranty (Years):	2
Option to extend the guarantee (Years):	5
Units per box:	4
Net Weight (Kg):	7.545
EAN:	8435381413040
Stability:	>15°



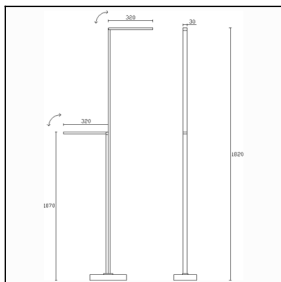
MATERIALS / FINISHES

Structure material:	Steel Aluminium	Diffuser material:	Acrylic
Structure finish:	Matt white	Diffuser finish:	Tinted

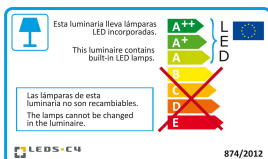
GEAR

Multi-voltage electronic gear included (110-240 V / 50-60 Hz)
Dimming protocol: 1..10V

The photograph may not match the reference exactly. Please read the product description to identify the finish.



Download photometric file .ldt /.ies

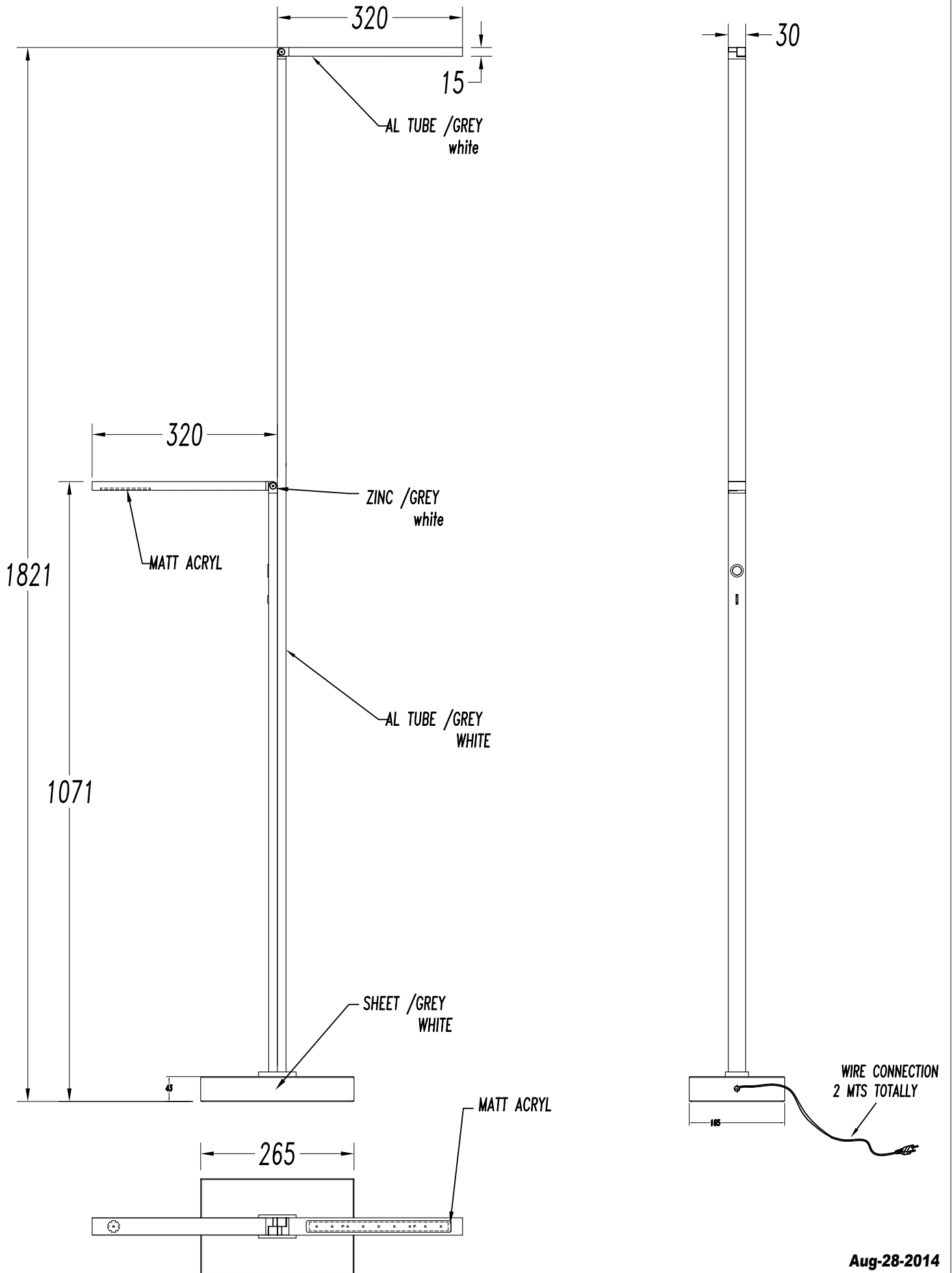


Click on image to download energy label

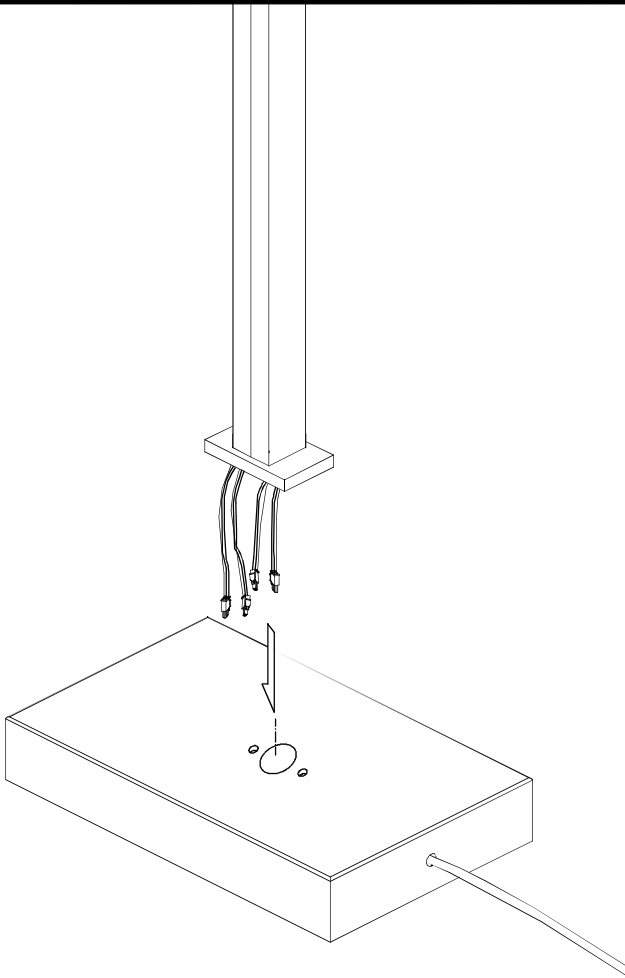
Lm^(N): Nominal flow of light in actual working conditions. Its actual flow will depend on the environmental conditions and the efficiency of the optics and/or diffuser.

LEDS-c4 reserves the right to make the necessary technical changes they deem adequate, in order to improve the features of the product.
Please consult the sales team to clarify any doubt.

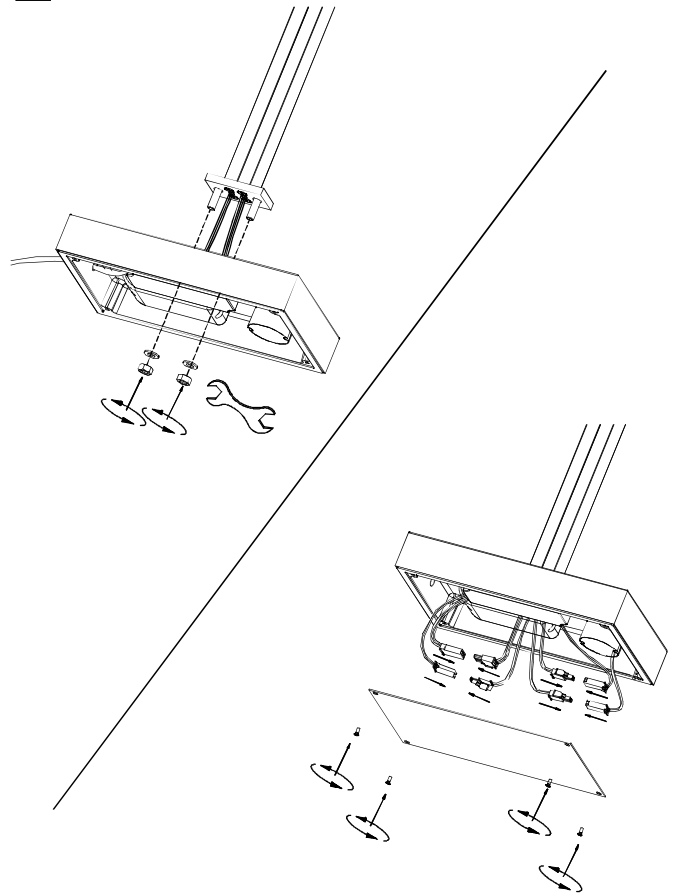
(+34) 973 468 100
leds-c4@leds-c4.com
www.leds-c4.com



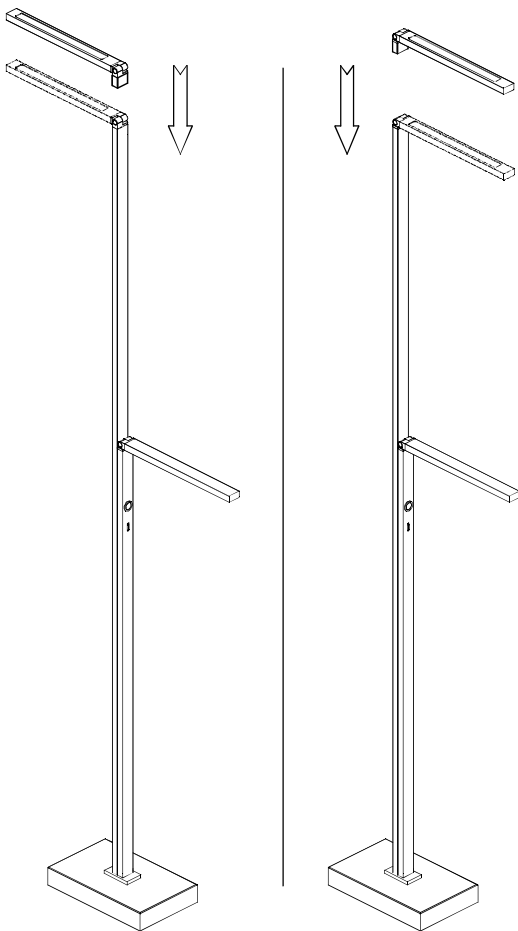
1



2



3



4

