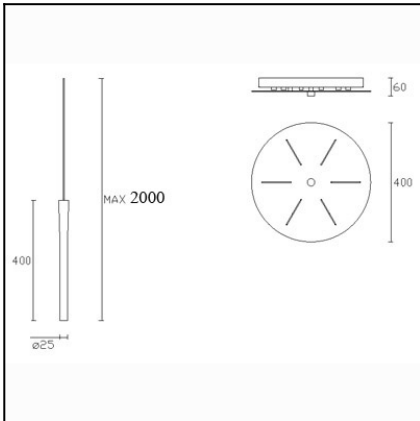


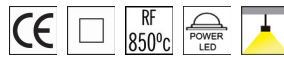


The photograph may not match the reference exactly. Please read the product description to identify the finish.



TECHNICAL CHARACTERISTICS

Type:	Pendant
IP Protection degrees:	IP20
Light source 1:	6 x LED Cree 13.2W Warm White - 3000K 1092 lm ^(N) CRI 80
Angle of the optics / Reflector:	25°
Voltage / Frequency:	100-240V/50-60Hz
Warranty (Years):	2
Option to extend the guarantee (Years):	5
Units per box:	6
Net Weight (Kg):	3.91

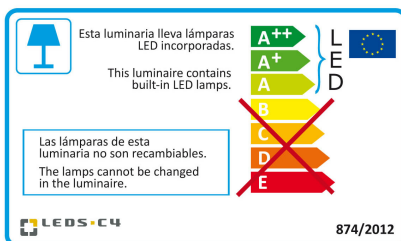


MATERIALS / FINISHES

Structure material: Aluminium

Structure finish: Black

Download photometric file .ldt / .ies



Click on image to download energy label

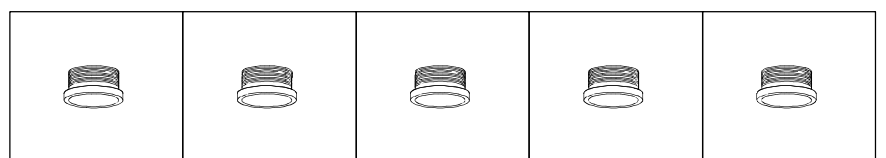
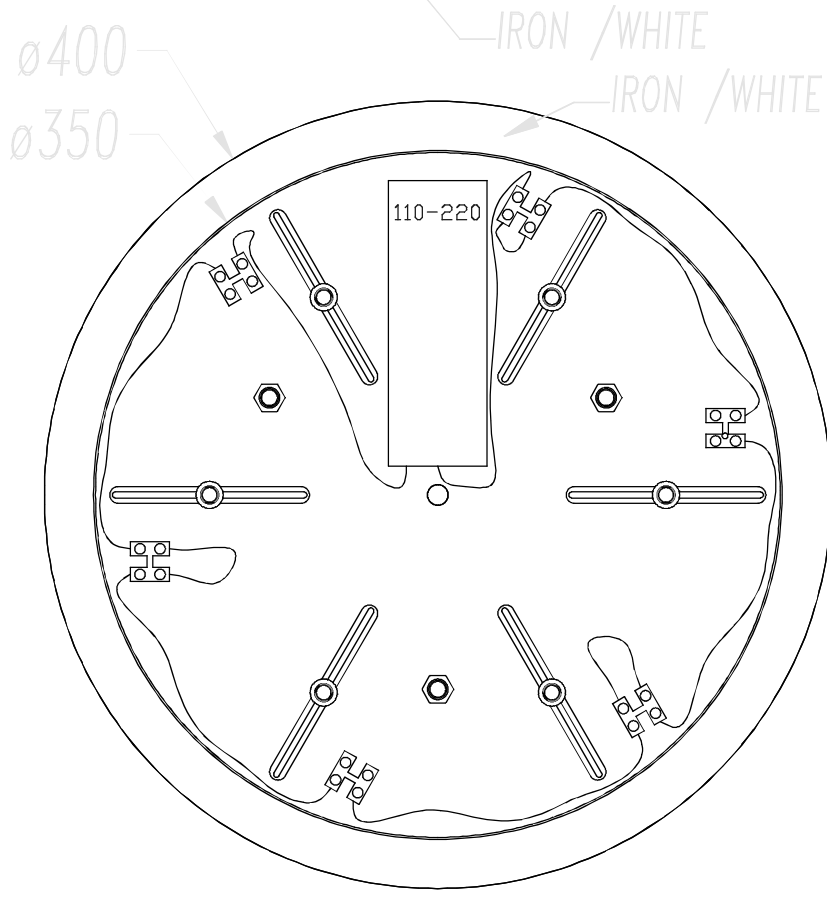
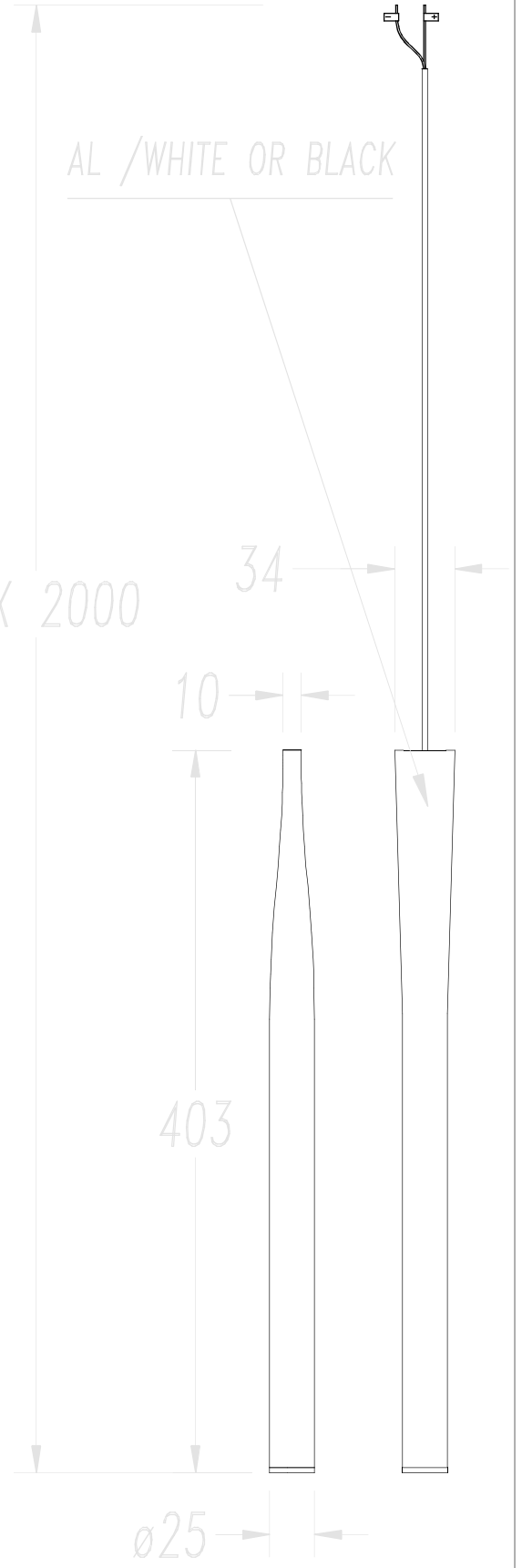
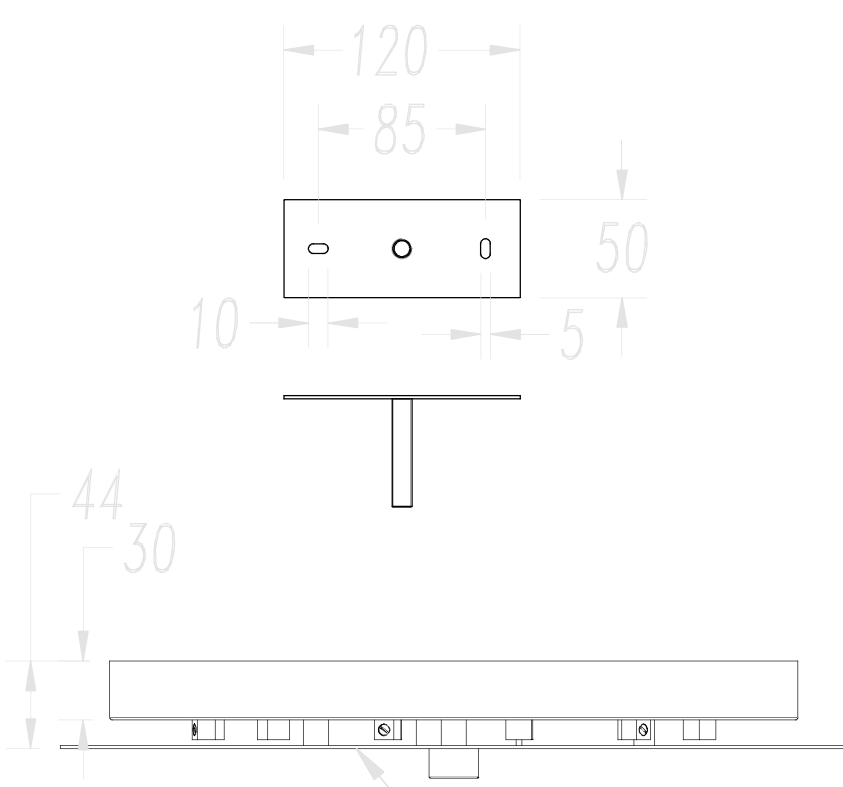
GEAR

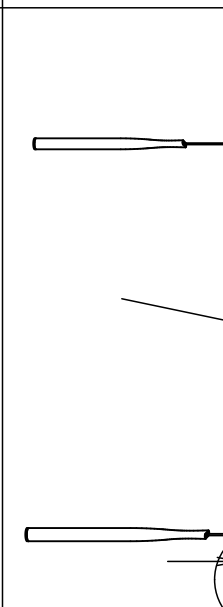
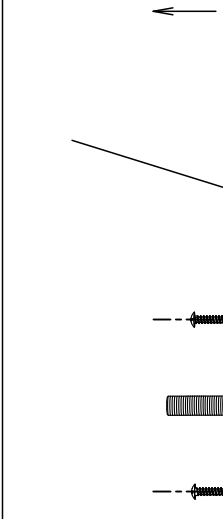
Multi-voltage electronic gear included (110-240 V / 50-60 Hz)

Lm^(N): Nominal flow of light in actual working conditions. Its actual flow will depend on the environmental conditions and the efficiency of the optics and/or diffuser.

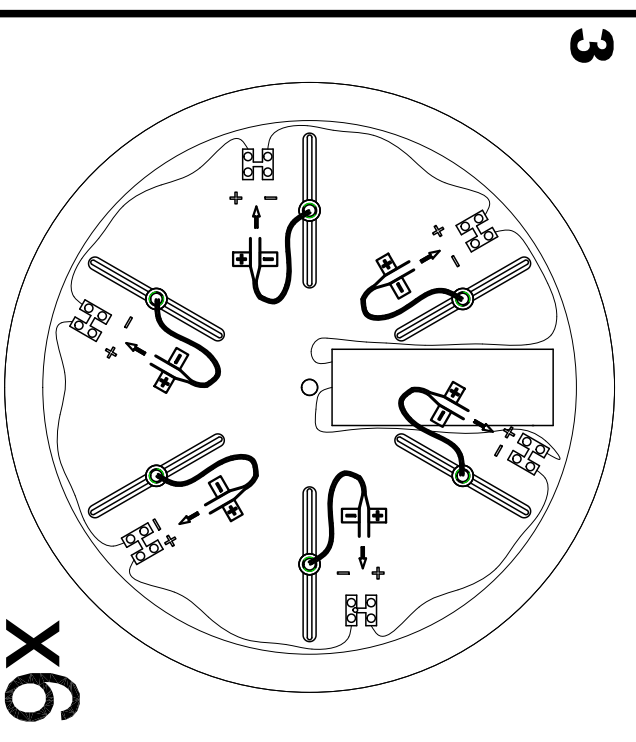
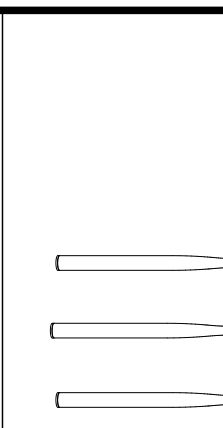
Leds-c4 reserves the right to make the necessary technical changes they deem adequate, in order to improve the features of the product.
Please consult the sales team to clarify any doubt.

(+34) 973 468 100
leds-c4@leds-c4.com
www.leds-c4.com



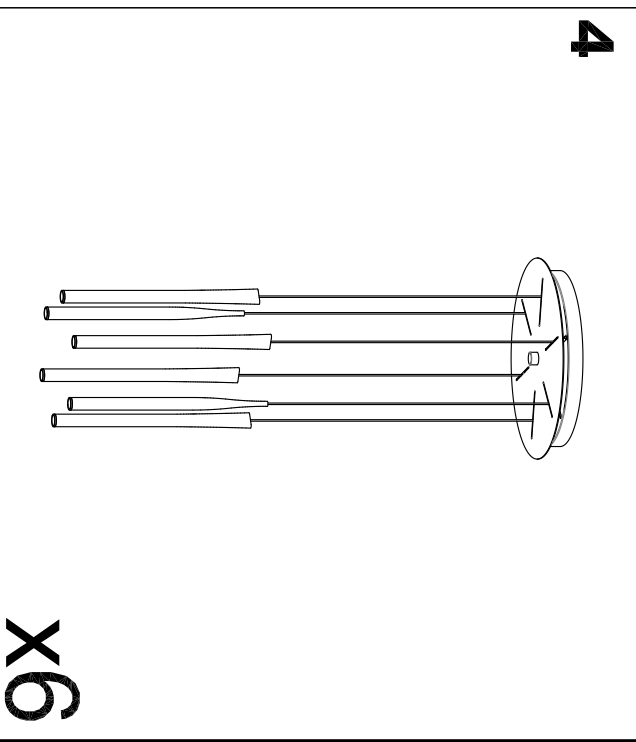


X6



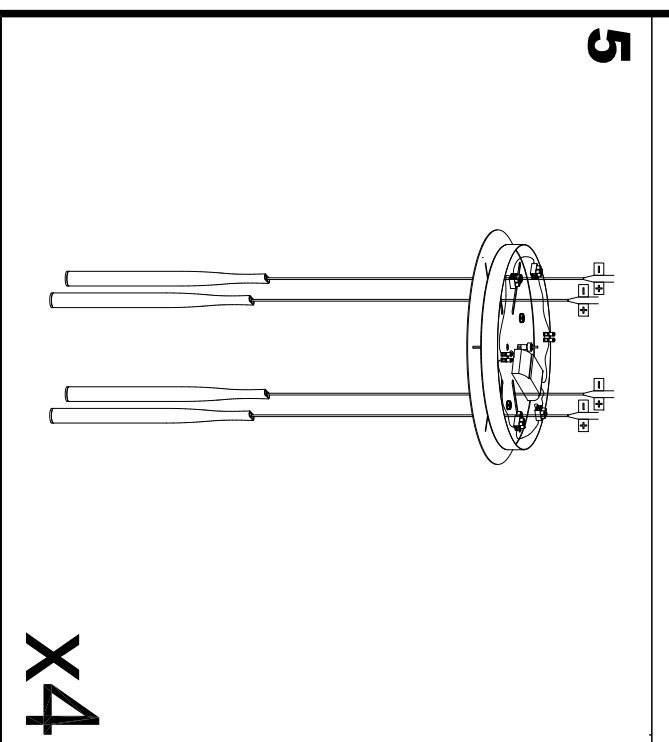
3

X6



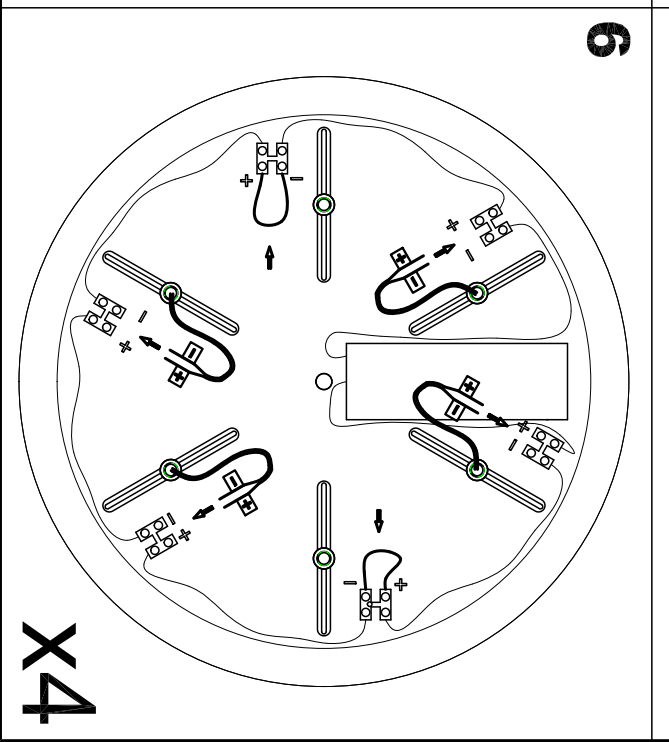
4

X6



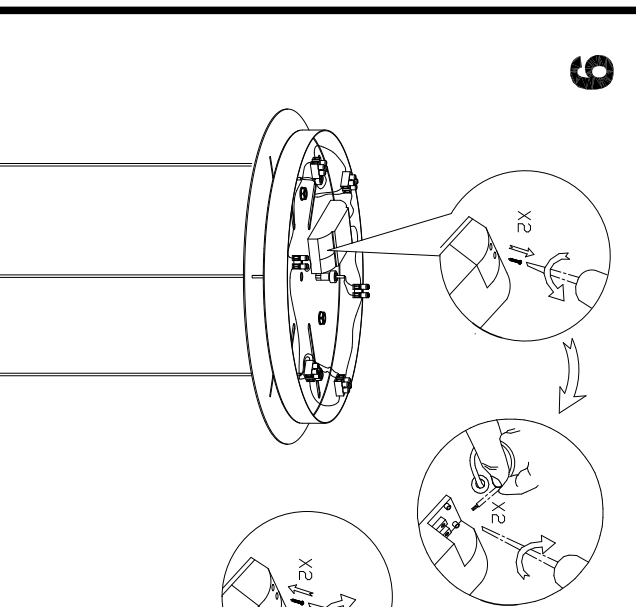
5

X4

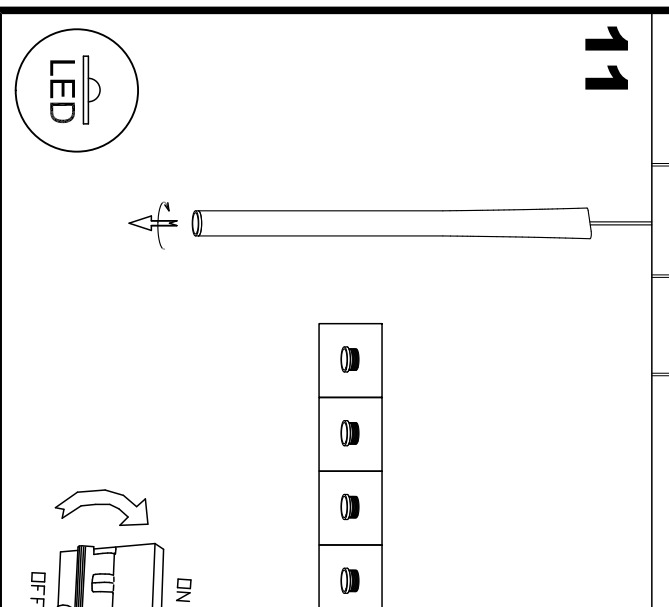


6

X4



9



11

LED

ON
OFF