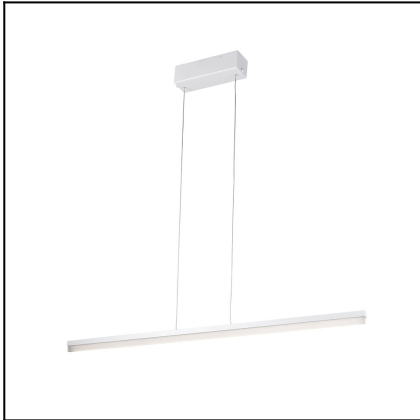
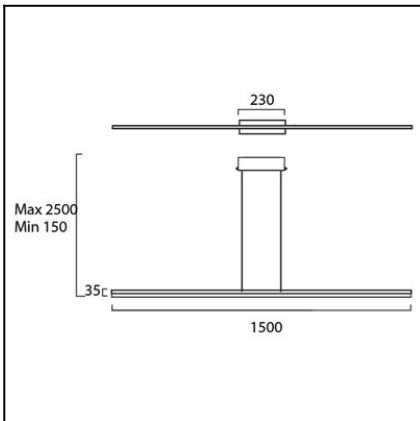


Design by GROK Team

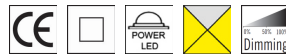


The photograph may not match the reference exactly. Please read the product description to identify the finish.



TECHNICAL CHARACTERISTICS

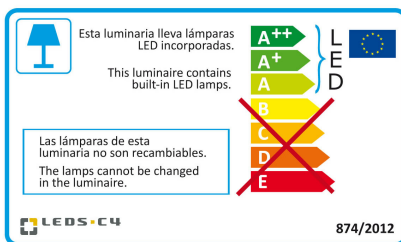
Type:	Pendant
IP Protection degrees:	IP20
Light source 1:	1 x LED 27W Warm White - 3000K 2592 lm ^(N) CRI 80
Voltage / Frequency:	100-240V/50-60Hz
Warranty (Years):	2
Option to extend the guarantee (Years):	5
Units per box:	1
Net Weight (Kg):	2.38



MATERIALS / FINISHES

Structure material:	Aluminium	Diffuser material:	Methacrylate
Structure finish:	Matt white	Diffuser finish:	Tinted

Download photometric file .ldt /.ies



Click on image to download energy label

GEAR

Multi-voltage electronic gear included (100-240V / 50-60Hz)
Dimming protocol: 1..10V

Lm^(N): Nominal flow of light in actual working conditions. Its actual flow will depend on the environmental conditions and the efficiency of the optics and/or diffuser.

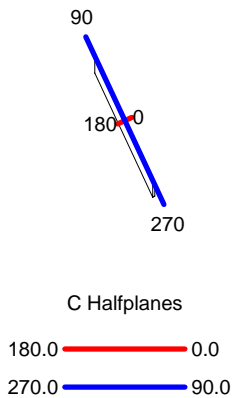
LEDS-C4 reserves the right to make the necessary technical changes they deem adequate, in order to improve the features of the product.
Please consult the sales team to clarify any doubt.

(+34) 973 468 100
leds-c4@leds-c4.com
www.leds-c4.com

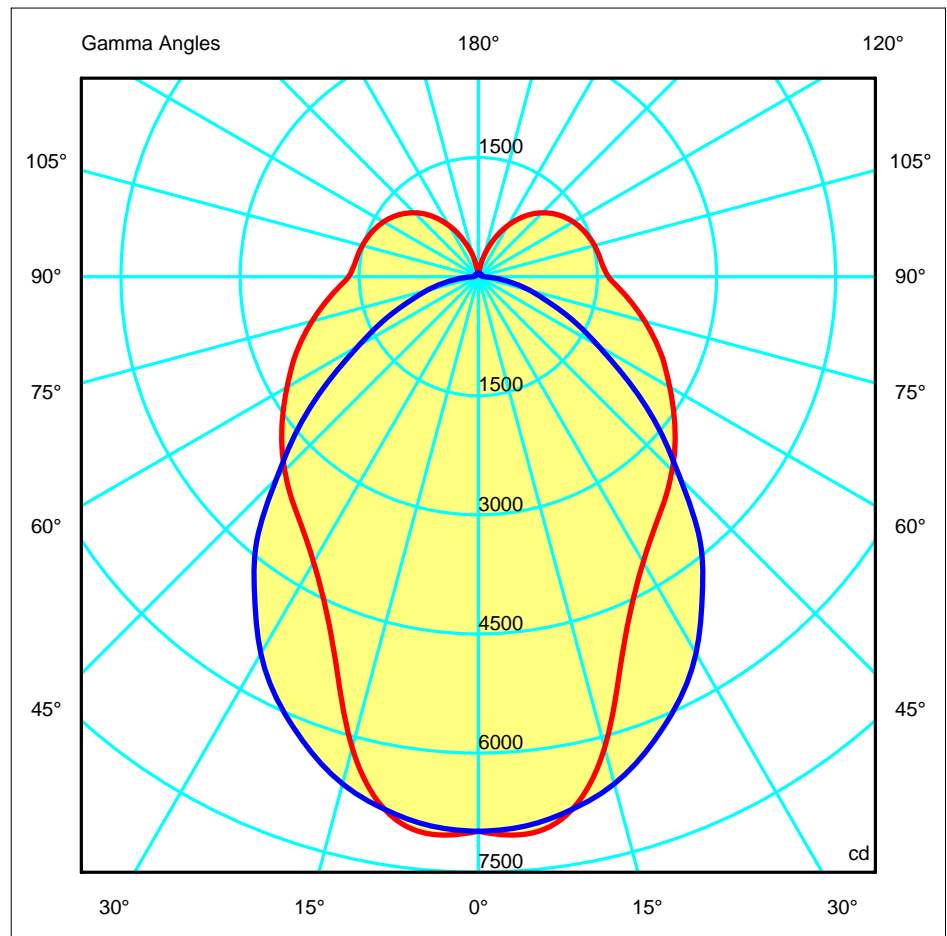
Luminaire		Measur.		Lamp		
Code	00-3644-BW-M3	Code	00-2934-BW-M3	Code	00-2935-BW-M3	
Name	Colgante CIRC 1.5m 27W led op	Name	Colgante CIRC 1m 18W leds opal	Number	1	
Line	- LEDS C4 LEDS	Date	07-07-2014	Position	Universal	
Efficiency	100.00%	Coordinate system	CG	Total Flux	22547.08 lm	
Maximum value	7044.03 cd	Position	C=0.00 G=5.00	Double Symmetrical		
Rectangular Luminaire	Length	1000 mm	Width	17 mm	Height	26 mm
Rectangular Luminous Area	Length	1000 mm	Width	12 mm	Height	18 mm
Horizontal Luminous Area	0.012000 m2	Emitting area on Plane 180°		0.018000 m2		
Emitting area on Plane 0°	0.018000 m2	Emitting area on Plane 270°		0.000216 m2		
Emitting area on Plane 90°	0.000216 m2	Glare area at 76°		0.020368 m2		
Symmetry Type	Double Symmetrical	Maximum Gamma Angle	180			
Measurement Distance	6.44	Measurement Flux	1504.72 lm			
Operator	Asselum T2	Source voltage	230.00 V			
Temperature	24.00 °C	Source current	Prc			
Humidity	56.00 %	Photocell				
Notes						

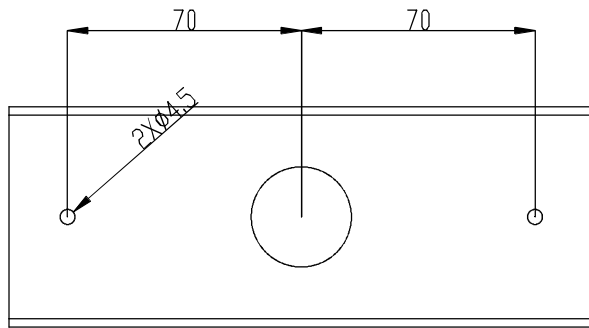
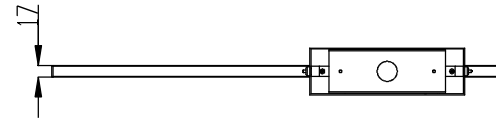
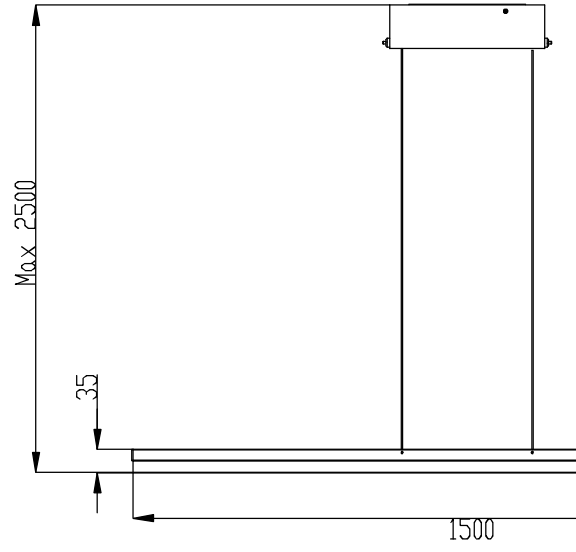
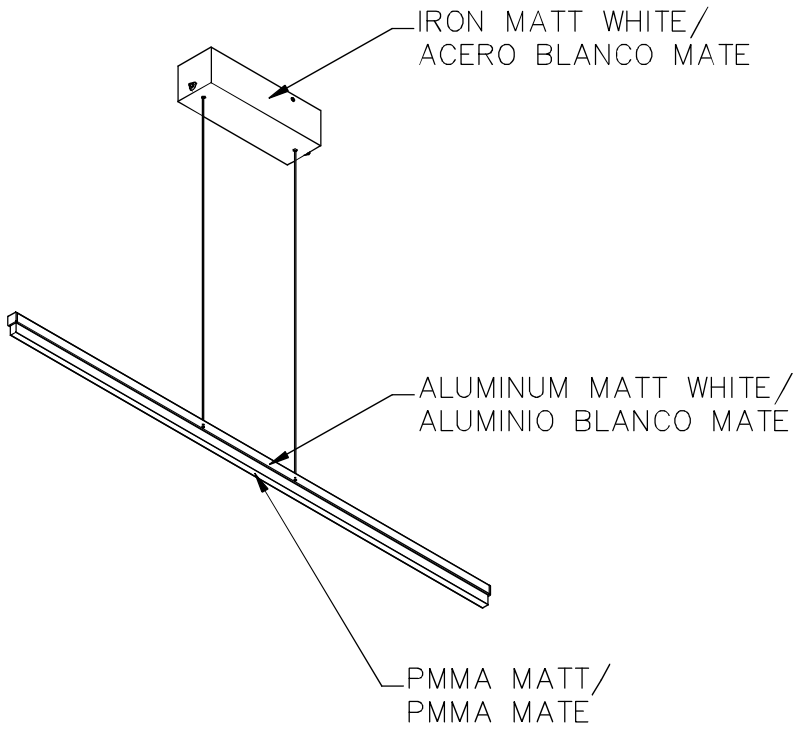
Luminaire Lamps						
Line	Code	Name	Flux [lm]	Pow. [W]	Q.ty	
- LEDS C4 LEDS	00-2935-BW-M3	Lámpara led 27W	22547.08	27.00	1	
C.I.E.	44 70 88 78 100	D DIN 5040	B31			
F UTE	0.78 E + 0.22 T	B NBN	BZ 5			

1000mm x 17mm



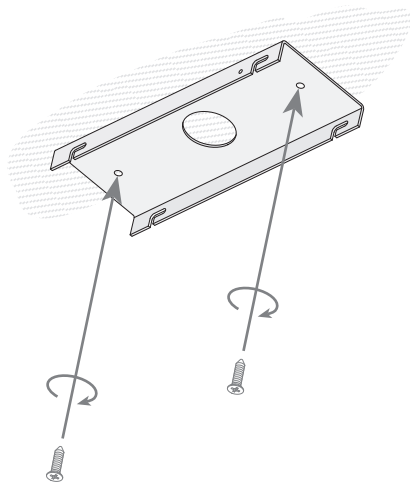
ULOR 21.96 %
 DLOR 78.04 %
 RN 21.96 %



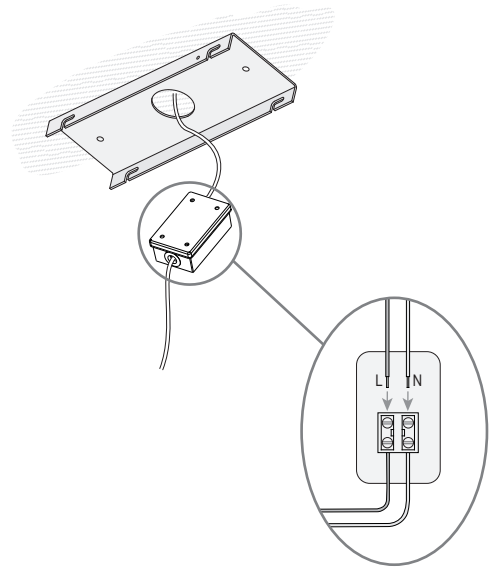


11/10/13

1

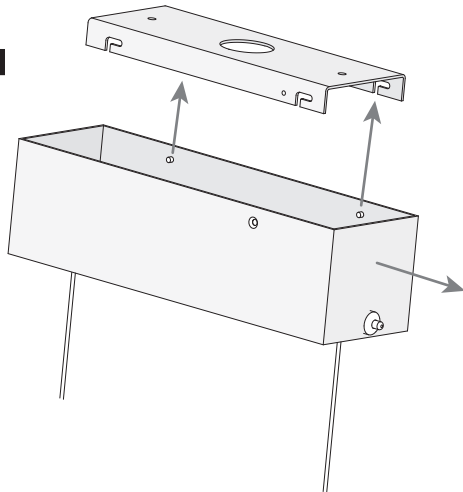


2

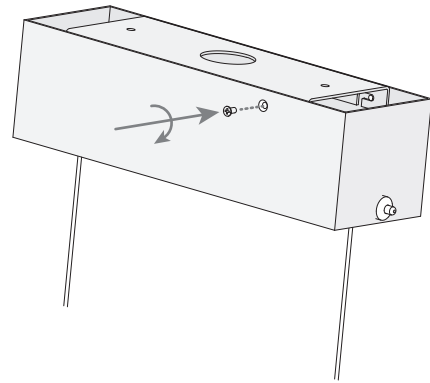


3

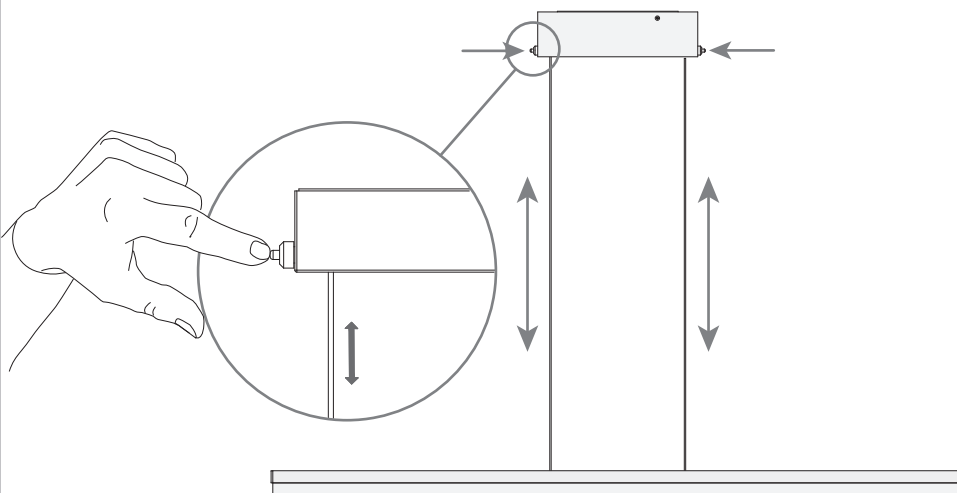
3.1



3.2



4



5

