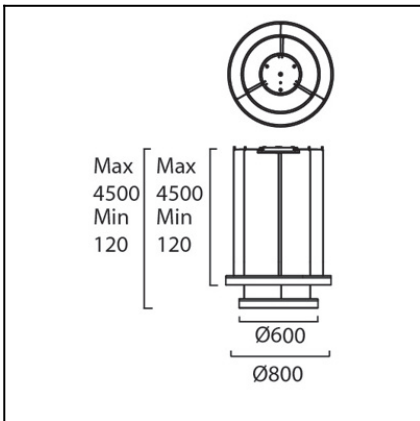


Design by GROK Team



The photograph may not match the reference exactly. Please read the product description to identify the finish.



### TECHNICAL CHARACTERISTICS

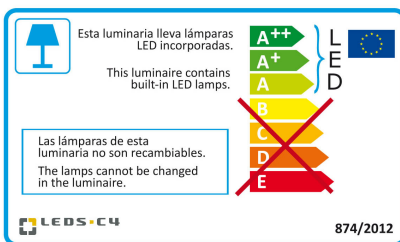
Type:	Pendant
IP Protection degrees:	IP20
Light source 1:	882 x LED 53W Warm White - 3000K 5088 lm <sup>(N)</sup> CRI 80
Voltage / Frequency:	100-240V/50-60Hz
Warranty (Years):	2
Option to extend the guarantee (Years):	5
Units per box:	1
Net Weight (Kg):	8.05
EAN:	8435381418014



### MATERIALS / FINISHES

<b>Structure material:</b>	Aluminium	<b>Diffuser material:</b>	Methacrylate
<b>Structure finish:</b>	Matt white	<b>Diffuser finish:</b>	Tinted

Download photometric file .ldt /.ies



Click on image to download energy label

### GEAR

Multi-voltage electronic gear included (100-240V / 50-60Hz)

Lm<sup>(N)</sup>: Nominal flow of light in actual working conditions. Its actual flow will depend on the environmental conditions and the efficiency of the optics and/or diffuser.

LEDS-C4 reserves the right to make the necessary technical changes they deem adequate, in order to improve the features of the product.  
Please consult the sales team to clarify any doubt.

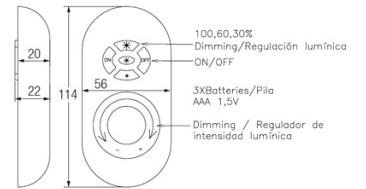
(+34) 973 468 100  
leds-c4@leds-c4.com  
www.leds-c4.com



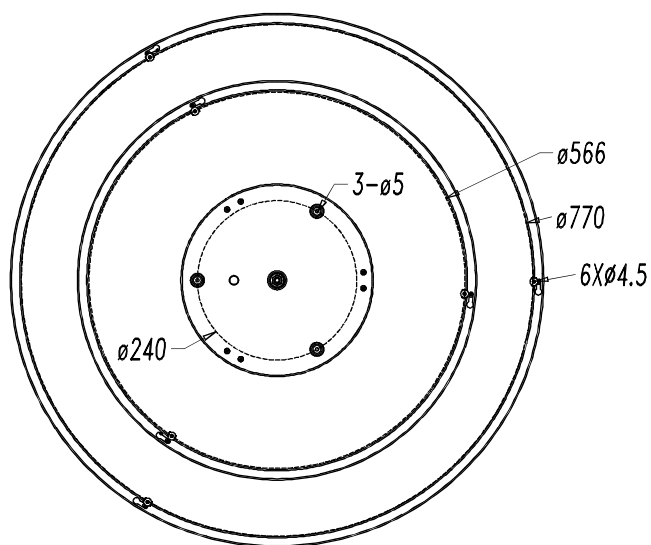
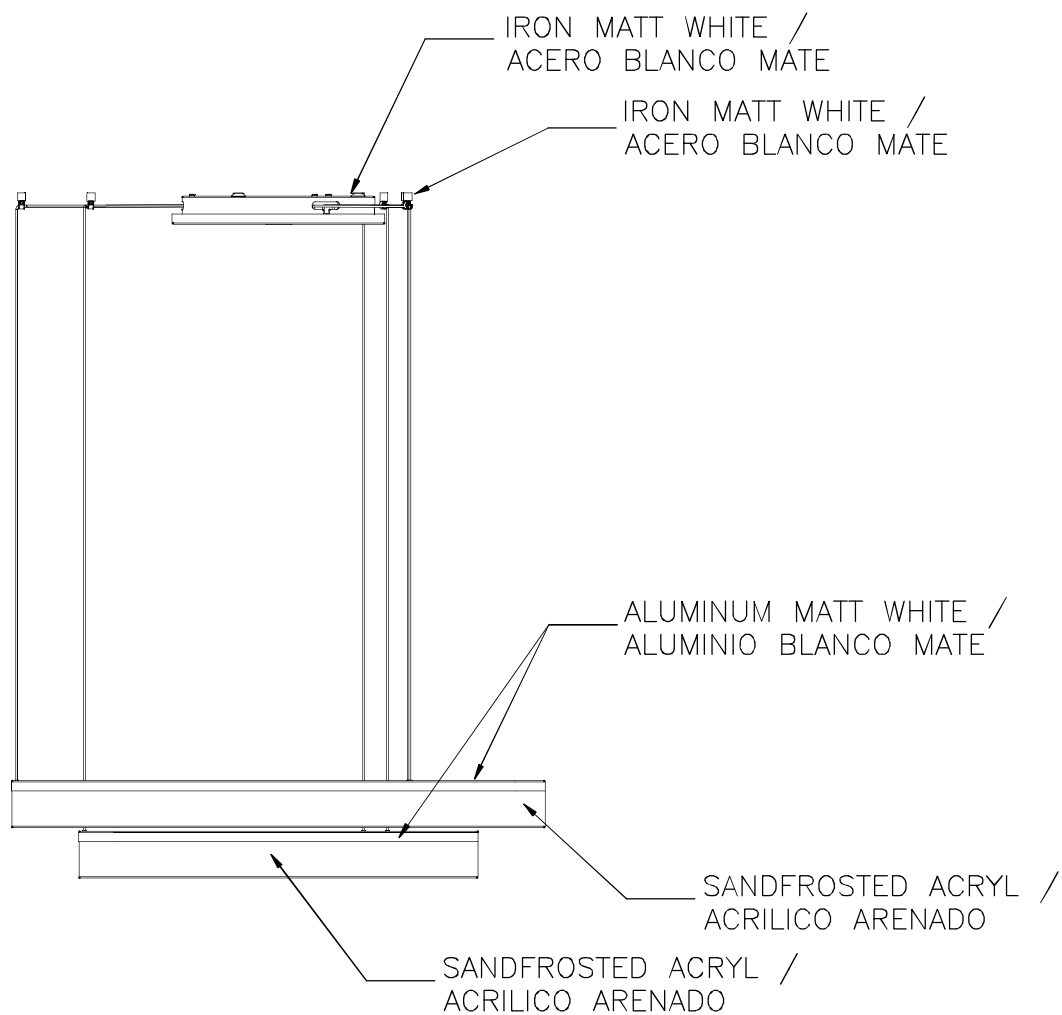
71-2241-00-00



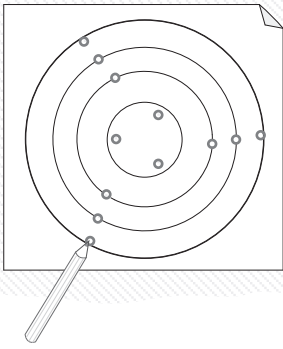
Controller with remote control



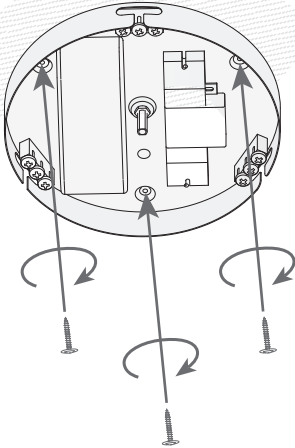
IP20



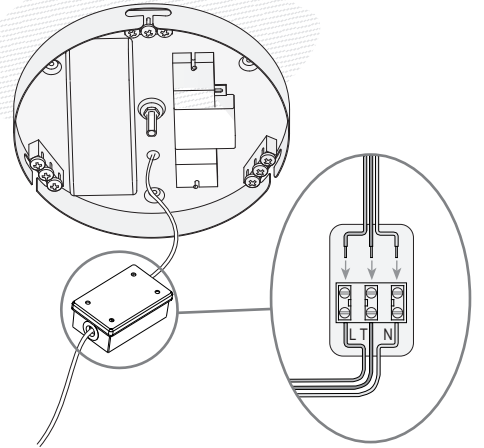
1



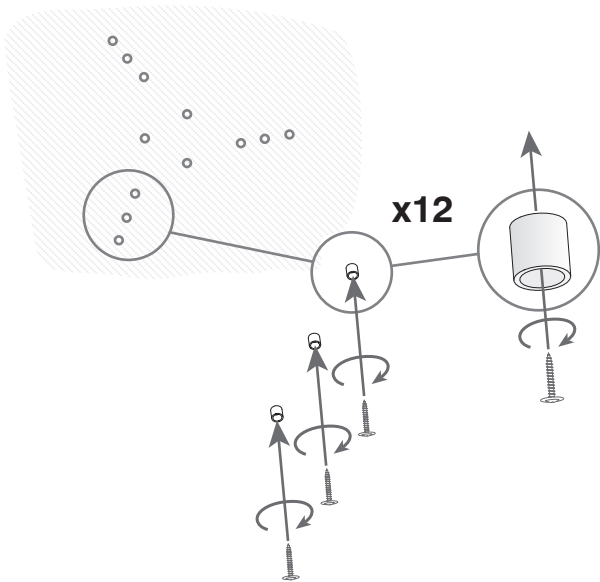
2



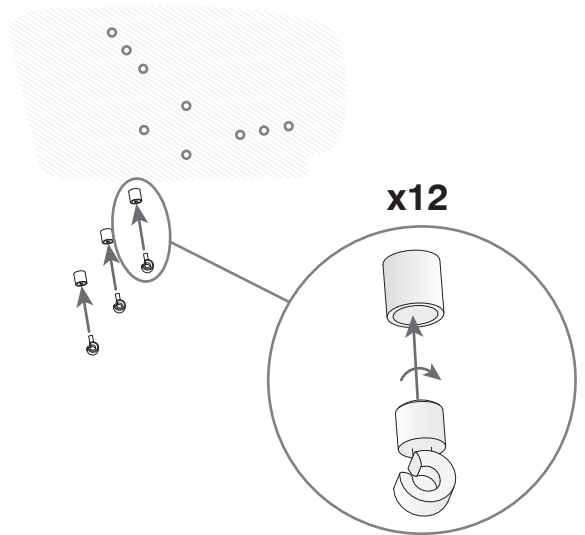
3



4



5

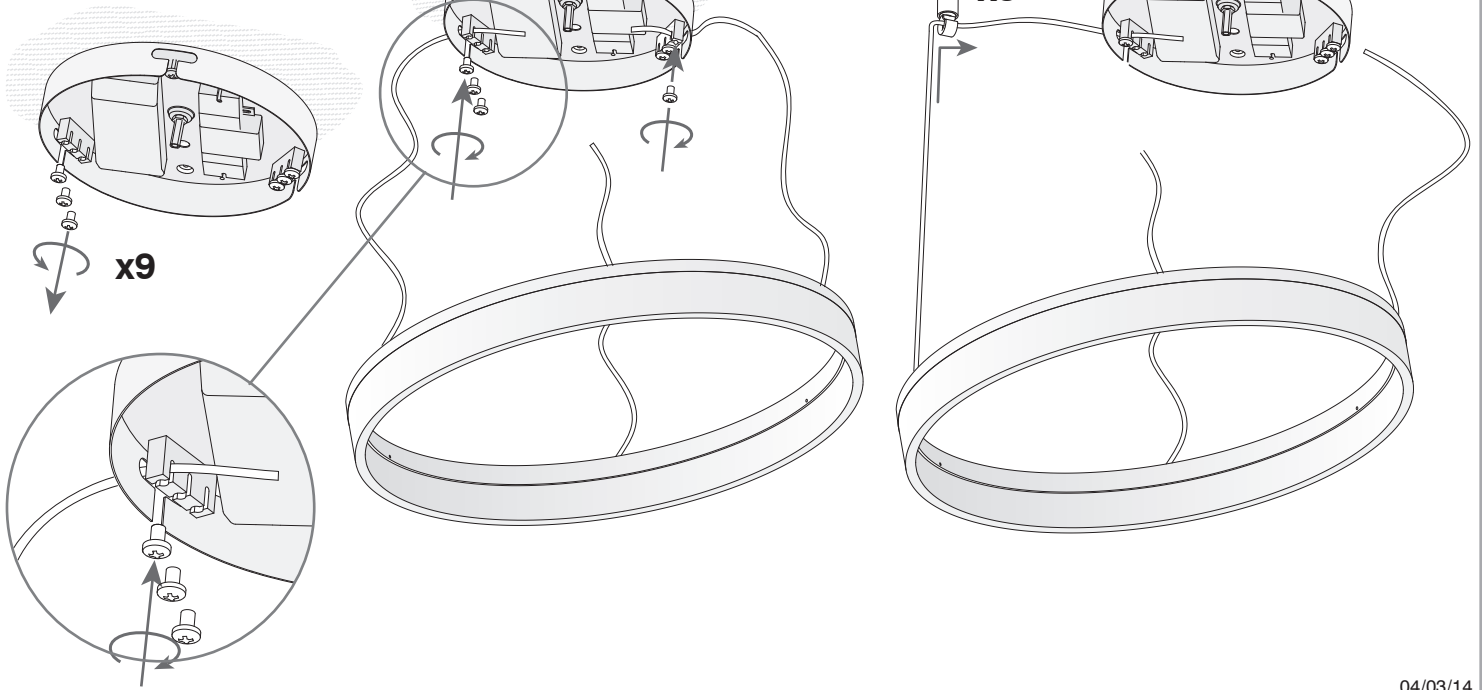


6

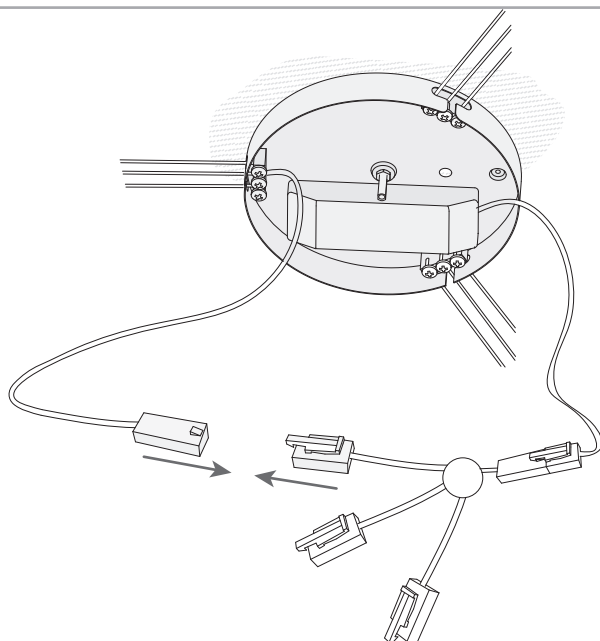
6A

6B

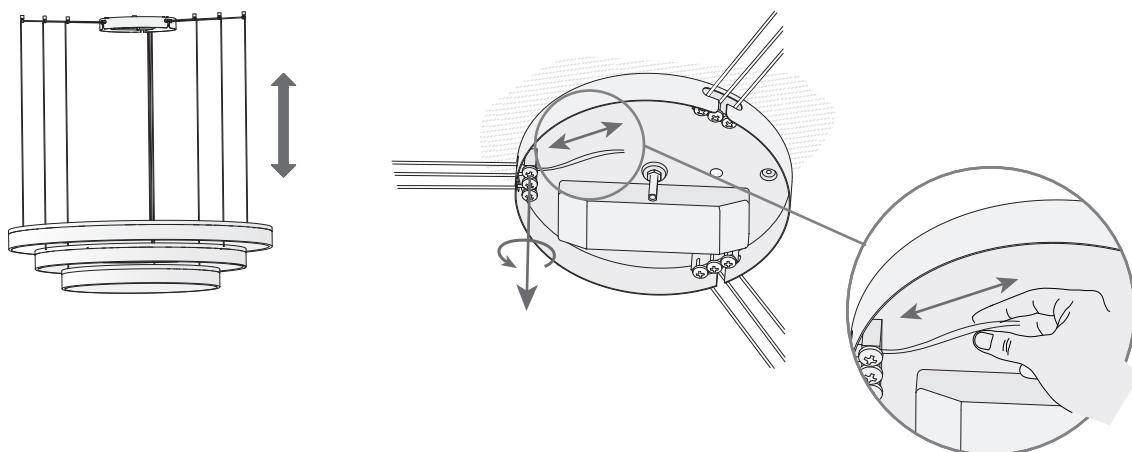
6C



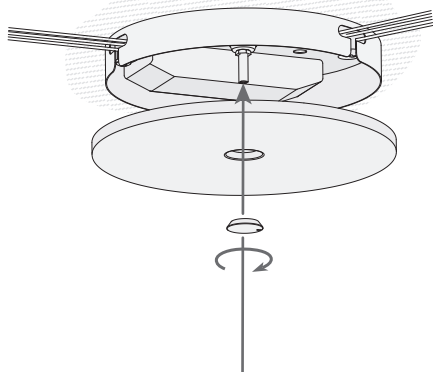
7



8



9



10

