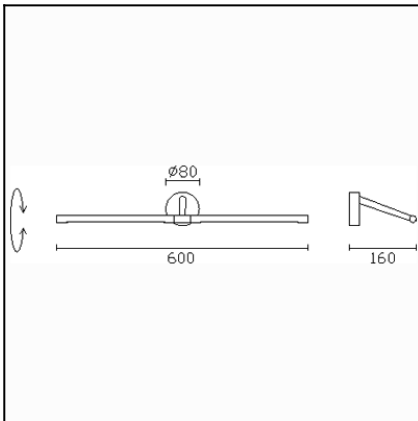




The photograph may not match the reference exactly. Please read the product description to identify the finish.



TECHNICAL CHARACTERISTICS

Type:	Wall fixture
Adjustable:	Adjustable 355° on the horizontal axis.
IP Protection degrees:	IP20
Light source 1:	30 x LED 7W Warm White - 3000K 700 lm ^(N) CRI 80
Voltage / Frequency:	110-240V/50-60Hz
Warranty (Years):	2
Option to extend the guarantee (Years):	5
Units per box:	6
Net Weight (Kg):	0.365
EAN:	8435381410506



MATERIALS / FINISHES

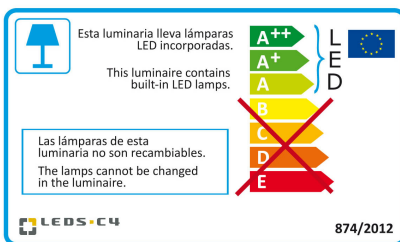
Structure material: Steel
Extruded aluminium

Diffuser material: Polycarbonate

Structure finish: Chrome

Diffuser finish: Bended and transparent

Download photometric file .ldt /.ies



Click on image to download energy label

GEAR

Multi-voltage electronic gear included (110-240 V / 50-60 Hz)

Lm^(N): Nominal flow of light in actual working conditions. Its actual flow will depend on the environmental conditions and the efficiency of the optics and/or diffuser.

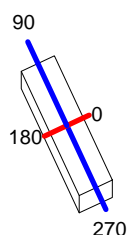
Leds-c4 reserves the right to make the necessary technical changes they deem adequate, in order to improve the features of the product.
Please consult the sales team to clarify any doubt.

(+34) 973 468 100
leds-c4@leds-c4.com
www.leds-c4.com

Luminaire		Measur.		Lamp		
Code	05-2897	Code	05-2897	Code	LEDS	
Name	SIENA LED	Name	SIENA LED	Number	30	
Line	Eulumdat	Date	07-12-2012	Position		
Efficiency	69.53%	Coordinate system	CG	Total Flux	450.00 lm	
Maximum value	147.25 cd	Position	C=270.00 G=1.00	Sym. on planes	270-90	
Rectangular Luminaire	Length	600 mm	Width	160 mm	Height	80 mm
Rectangular Luminous Area	Length	600 mm	Width	160 mm	Height	80 mm
Horizontal Luminous Area	0.096000 m2	Emitting area on Plane 180°	0.048000 m2			
Emitting area on Plane 0°	0.048000 m2	Emitting area on Plane 270°	0.012800 m2			
Emitting area on Plane 90°	0.012800 m2	Glare area at 76°	0.069799 m2			
Symmetry Type	Sym. on planes 270-90	Maximum Gamma Angle	180			
Measurement Distance	0.00	Measurement Flux	180.00 lm			
Operator		Source voltage				
Temperature	25.00 °C	Source current				
Humidity	60.00 %	Photocell				
Notes						

Line		Code		Luminaire Lamps		Flux [lm]	Pow. [W]	Q.ty
Eulumdat		LEDS		Name				
C.I.E.	62 94 100 100 70			LEDS - 0.20 W		15.00	0.20	30
F UTE	0.70 C			D DIN 5040	A50			
				B NBN	BZ 3 / 1.25 / BZ 2			

600mm x 160mm



C Halfplanes

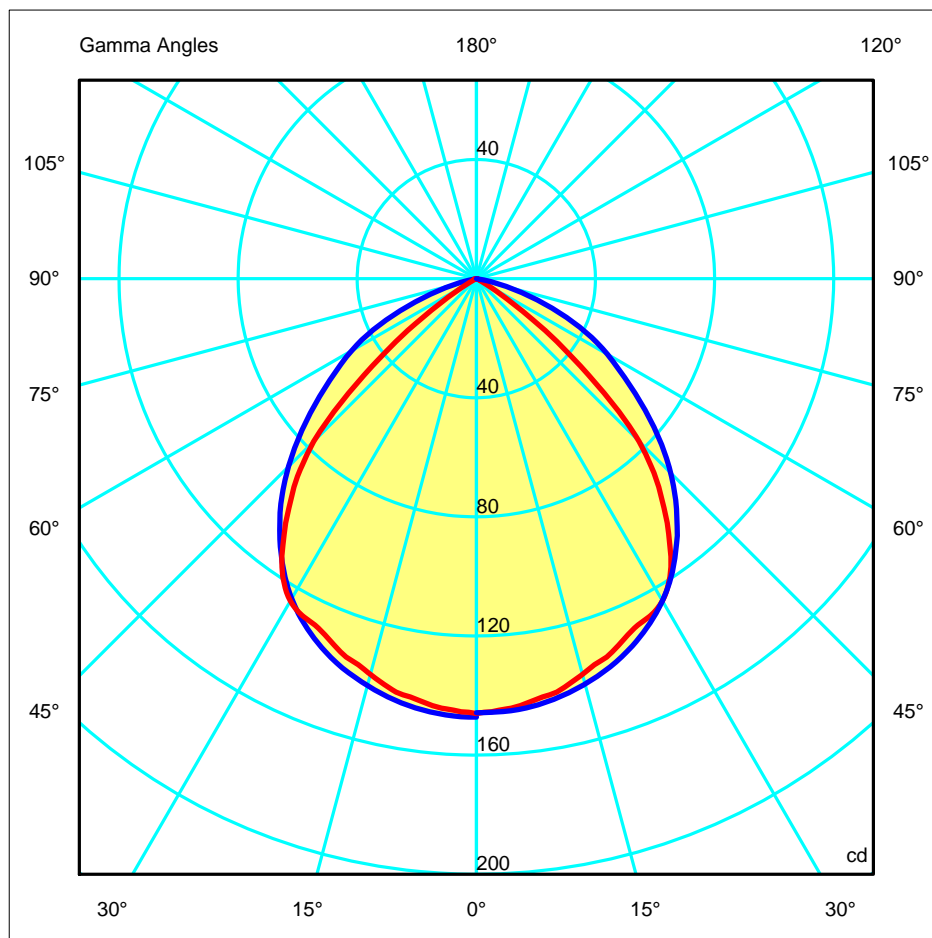
270.0 ———— 0.0

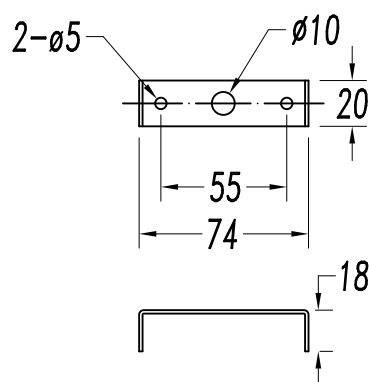
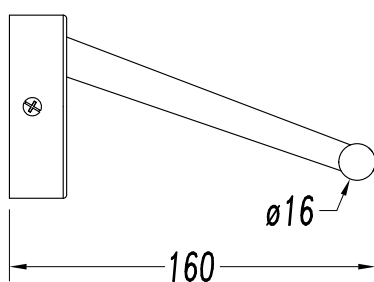
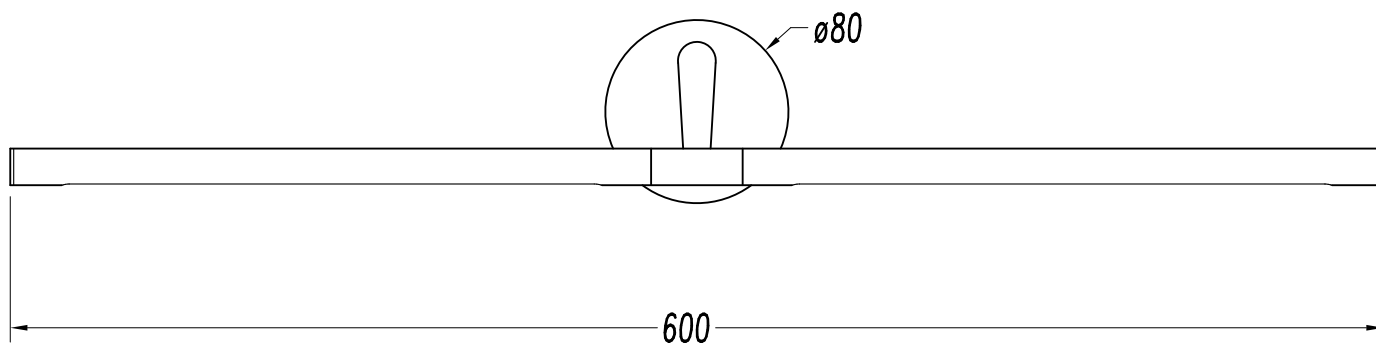
180.0 ———— 90.0

ULOR 0.00 %

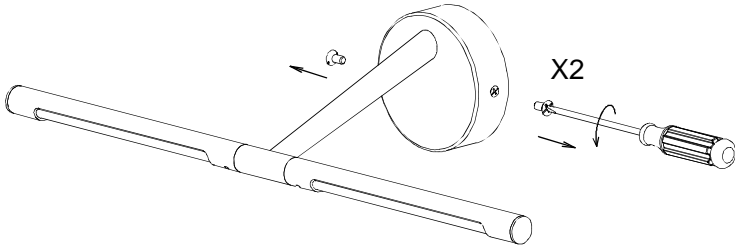
DLOR 69.53 %

RN 0.00 %

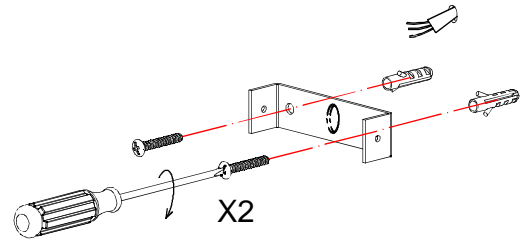
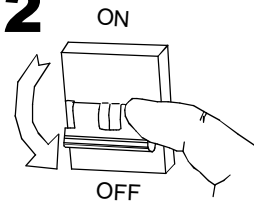




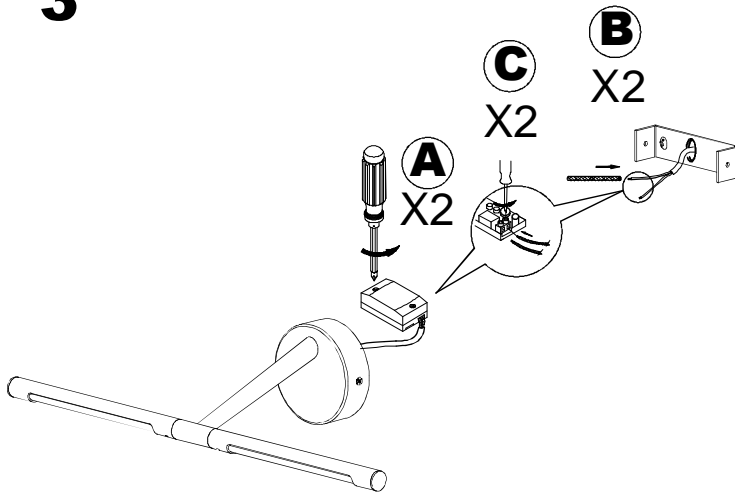
1



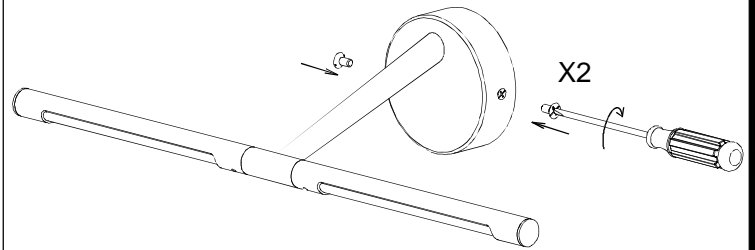
2



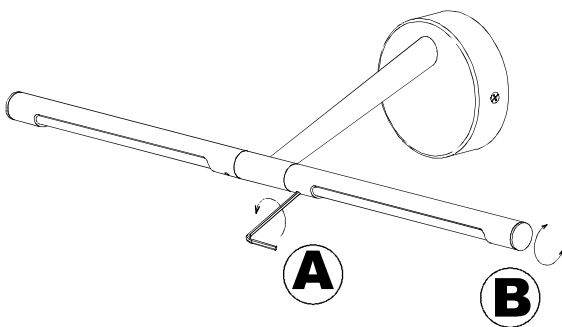
3



4



5



6

