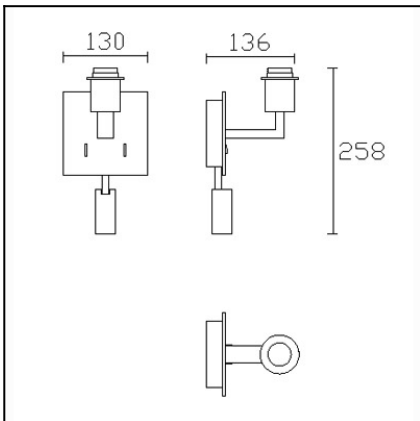
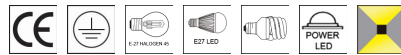




The photograph may not match the reference exactly. Please read the product description to identify the finish.


**TECHNICAL CHARACTERISTICS**

Type:	Wall fixture
Adjustable:	Adjustable 355° on the vertical axis.2 Adjustable from 0° to 90° on the horizontal axis
IP Protection degrees:	IP20
Light source 1:	1 x E27 MAX 60W Maximum lamp diameter: 45.00 mm
Light source 2:	1 x LED Cree 2.1W Warm White - 3000K 182 lm <sup>(N)</sup> CRI 80
Voltage / Frequency:	100-240V/50-60Hz
Warranty (Years):	2
Option to extend the guarantee (Years):	5
Units per box:	8
Net Weight (Kg):	0.95
EAN:	8435381412456

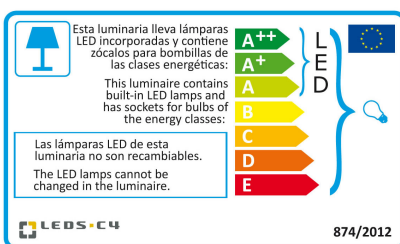

**MATERIALS / FINISHES**

<b>Structure material:</b>	Steel Zamak
<b>Structure finish:</b>	Satin nickel

**GEAR**

Multi-voltage electronic gear included (110-240 V / 50-60 Hz)

Download photometric file .ldt / .ies



Click on image to download energy label

Lm<sup>(N)</sup>: Nominal flow of light in actual working conditions. Its actual flow will depend on the environmental conditions and the efficiency of the optics and/or diffuser.

Leds-c4 reserves the right to make the necessary technical changes they deem adequate, in order to improve the features of the product.  
Please consult the sales team to clarify any doubt.

(+34) 973 468 100  
leds-c4@leds-c4.com  
www.leds-c4.com

## PAN-175-14

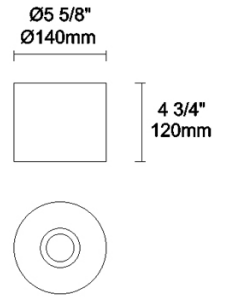


Shade, white, Ø140mm

**Structure material:** Steel

**Diffuser material:** Fabric shade

**Diffuser finish:** White



IP20 RF  
850°C

## PAN-175-BY

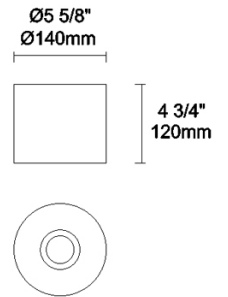


Shade, beige fabric, Ø140mm

**Structure material:** Steel

**Diffuser material:** Fabric shade

**Diffuser finish:** Sandblasted



IP20 RF  
850°C

## PAN-177-14

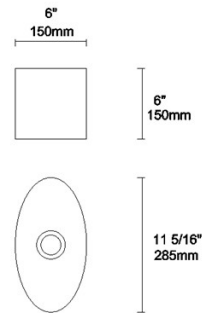


Shade, oval shape, white, 285x150x150mm

**Structure material:** Steel

**Diffuser material:** Fabric shade

**Diffuser finish:** White



## PAN-177-BY

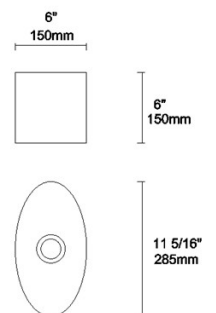


Shade, oval shape, beige fabric, 285x150x150mm

**Structure material:** Steel

**Diffuser material:** Fabric shade

**Diffuser finish:** Sandblasted



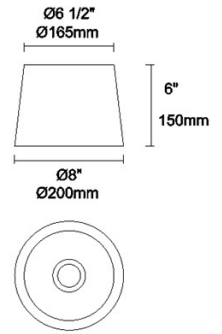
RF  
850°C

PAN-157-14



Shade, white, Ø200mm

**Structure material:** Steel  
**Diffuser material:** Fabric shade  
**Diffuser finish:** White

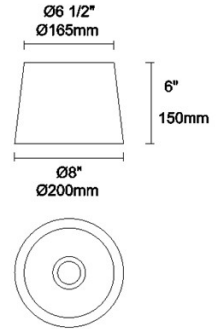


IP20 RF  
850°C

PAN-157-BY



**Structure material:** Steel  
**Diffuser material:** Fabric shade  
**Diffuser finish:** Sandblasted



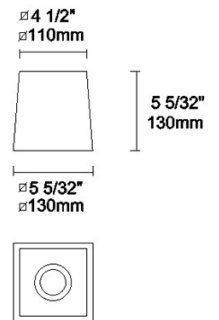
IP20 RF  
850°C

PAN-178-14



Shade, white, 130x130x110mm

**Structure material:** Steel  
**Diffuser material:** Fabric shade  
**Diffuser finish:** White



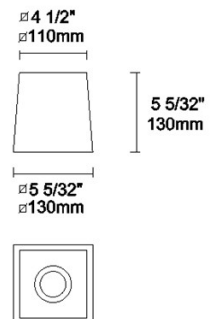
IP20 650°

PAN-178-BY



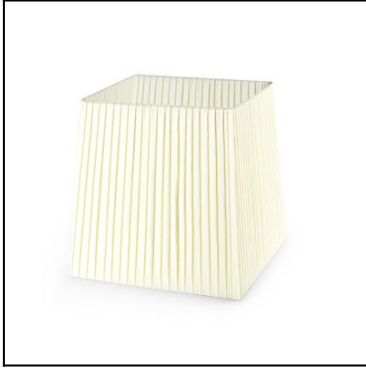
Shade, beige fabric, 130x130x110mm

**Structure material:** Steel  
**Diffuser material:** Fabric shade  
**Diffuser finish:** Sandblasted



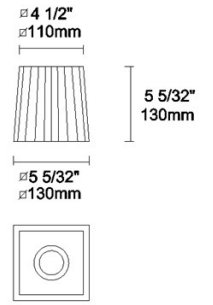
IP20 650°

PAN-186-20



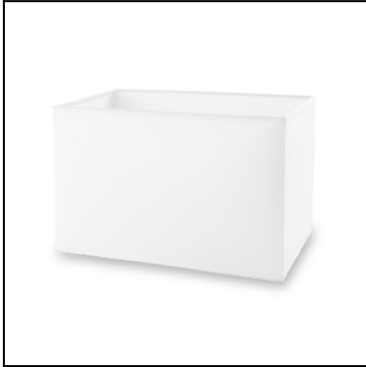
Shade, beige, pleated, 130x130x110mm

Structure material: Steel  
Diffuser material: Ribboned shade  
Diffuser finish: Beige



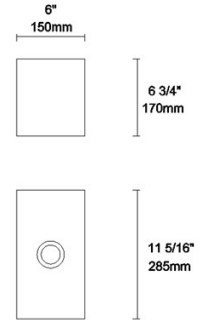
IP20 RF  
850°C

PAN-176-14



Shade, white, 182x170x150mm

Structure material: Steel  
Diffuser material: Fabric shade  
Diffuser finish: White



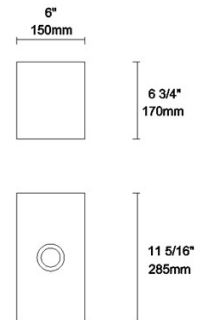
RF  
850°C

PAN-176-BY



Shade, beige fabric, 182x170x150mm

Structure material: Steel  
Diffuser material: Fabric shade  
Diffuser finish: Sandblasted



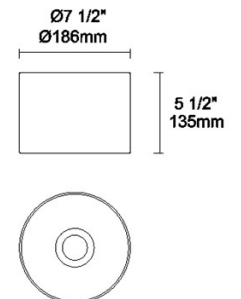
RF  
850°C

PAN-198-V7



Shade, old copper, Ø186mm

Structure material: Steel  
Diffuser material: PVC  
Diffuser finish: Antique copper



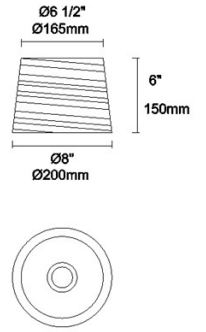
IP20 RF  
850°C

PAN-219-14



Shade, white, horizontal wrapping, Ø200mm

**Structure material:** Steel  
**Structure finish:** White  
**Diffuser material:** Ribboned shade  
**Diffuser finish:** White



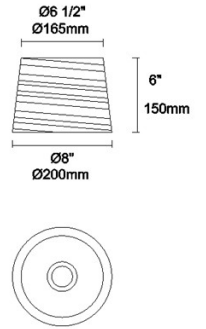
IP20 RF  
850°C

PAN-219-05

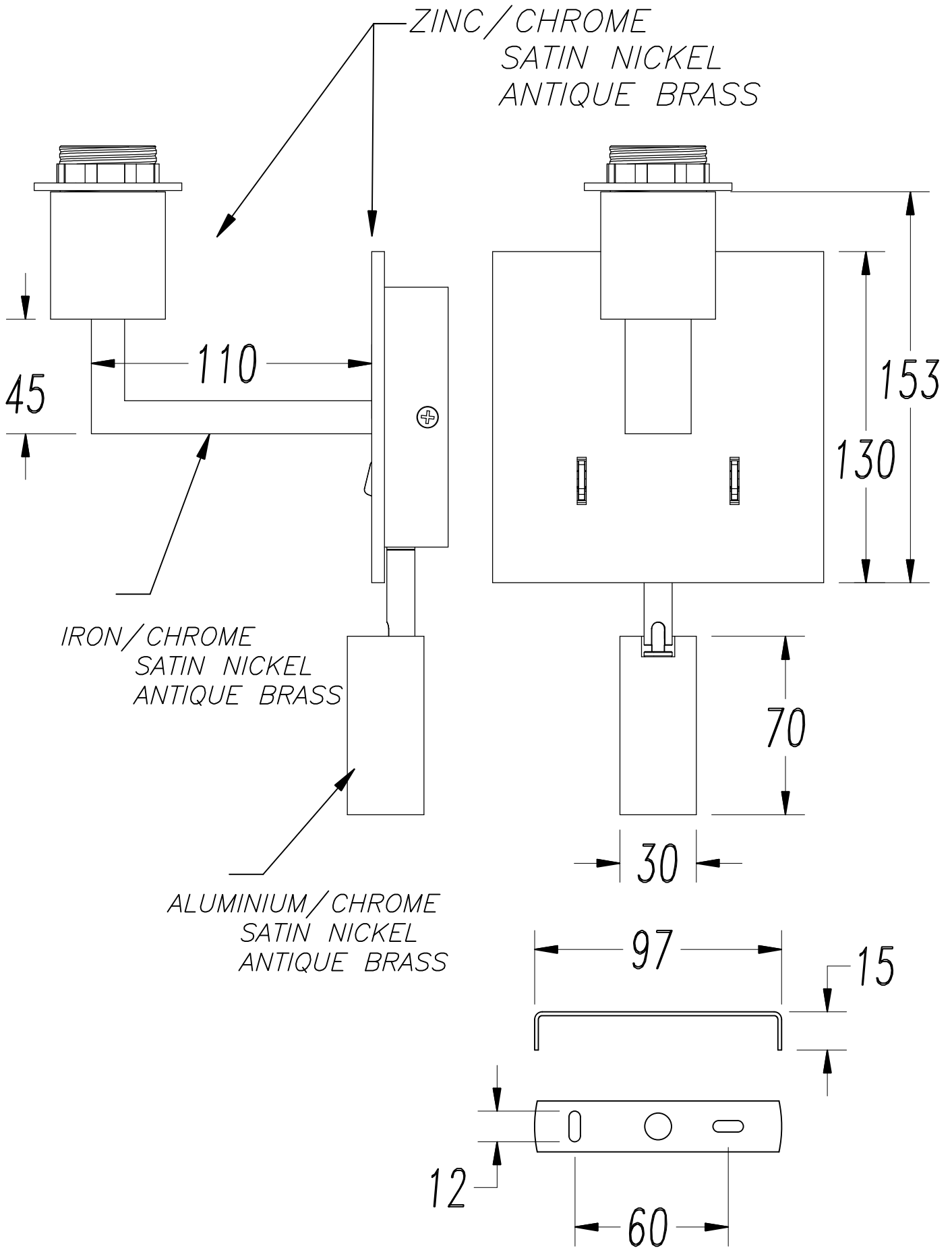


Shade, black horizontal wrapping, Ø200mm

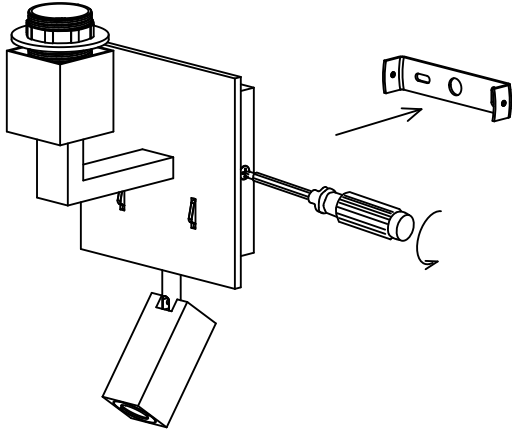
**Structure material:** Steel  
**Structure finish:** White  
**Diffuser material:** Ribboned shade  
**Diffuser finish:** Black



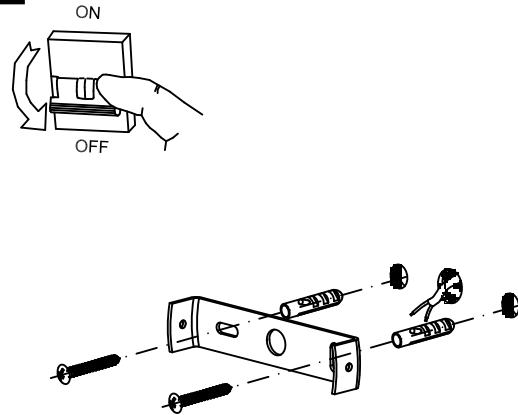
IP20 RF  
850°C



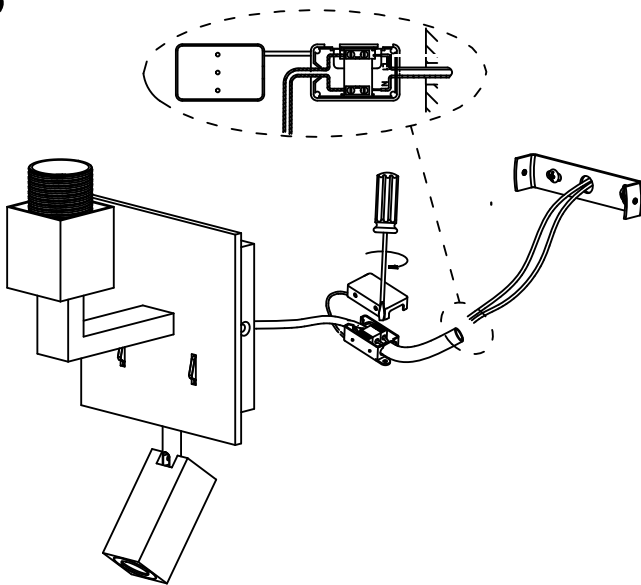
1



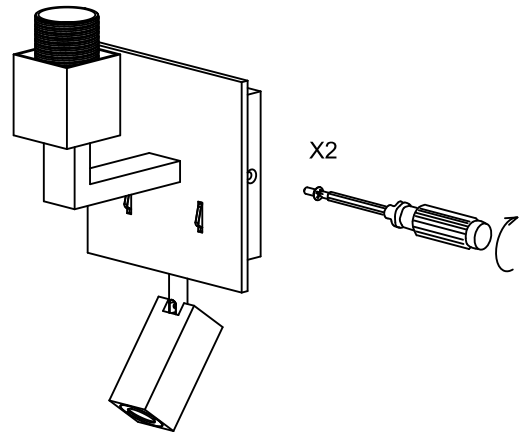
2



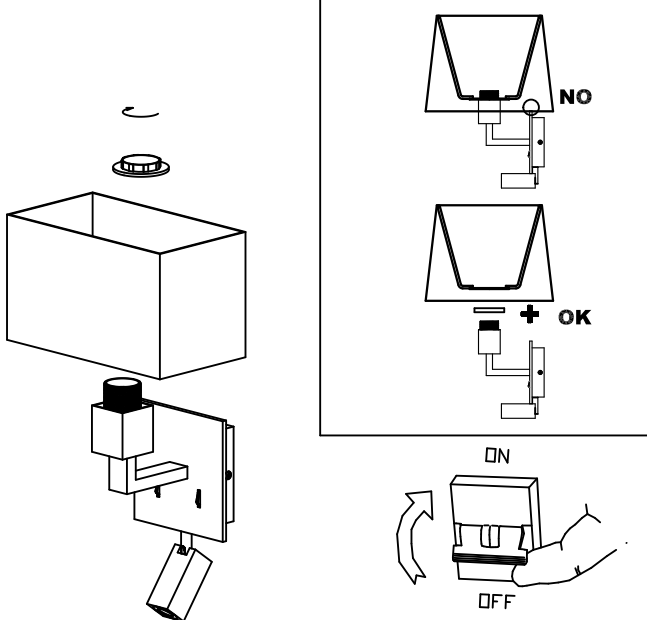
3



4



5



6

