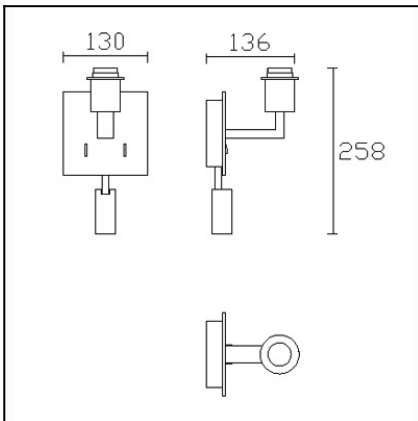
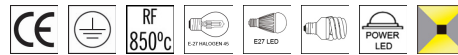




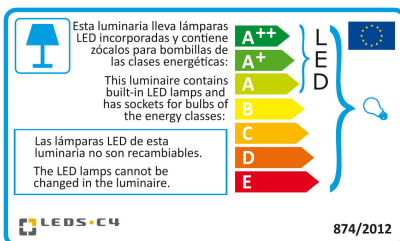
The photograph may not match the reference exactly. Please read the product description to identify the finish.


TECHNICAL CHARACTERISTICS

Type:	Wall fixture
Adjustable:	Adjustable 355° on the vertical axis.2 Adjustable from 0° to 90° on the horizontal axis
IP Protection degrees:	IP20
Light source 1:	1 x E27 MAX 60W Maximum lamp diameter: 45.00 mm
Light source 2:	1 x LED Cree 2.1W Warm White - 3000K 182 lm ^(N) CRI 80
Total power consumption (W):	61.5
Voltage / Frequency:	100-240V/50-60Hz
Warranty (Years):	2
Option to extend the guarantee (Years):	5
Units per box:	8
Net Weight (Kg):	0.95
EAN:	8435381412470



Download photometric file .ldt / .ies



Click on image to download energy label

MATERIALS / FINISHES

Structure material:	Steel Zamak
Structure finish:	Patine

GEAR

Multi-voltage electronic gear included (110-240 V / 50-60 Hz)

Lm^(N): Nominal flow of light in actual working conditions. Its actual flow will depend on the environmental conditions and the efficiency of the optics and/or diffuser.

Leds-c4 reserves the right to make the necessary technical changes they deem adequate, in order to improve the features of the product.
Please consult the sales team to clarify any doubt.

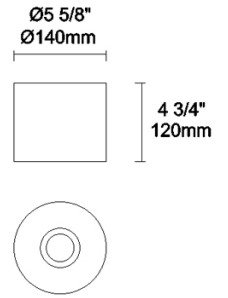
(+34) 973 468 100
leds-c4@leds-c4.com
www.leds-c4.com

PAN-175-14



Shade, white, Ø140mm

Structure material: Steel
Diffuser material: Fabric shade
Diffuser finish: White



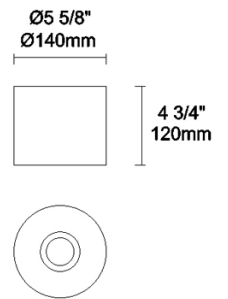
IP20 RF
850°C

PAN-175-BY



Shade, beige fabric, Ø140mm

Structure material: Steel
Diffuser material: Fabric shade
Diffuser finish: Sandblasted



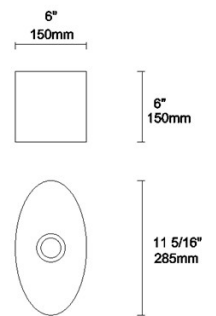
IP20 RF
850°C

PAN-177-14



Shade, oval shape, white, 285x150x150mm

Structure material: Steel
Diffuser material: Fabric shade
Diffuser finish: White



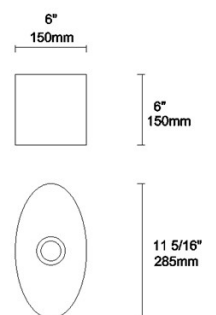
IP20 RF
850°C

PAN-177-BY



Shade, oval shape, beige fabric, 285x150x150mm

Structure material: Steel
Diffuser material: Fabric shade
Diffuser finish: Sandblasted



IP20 RF
850°C

PAN-157-14

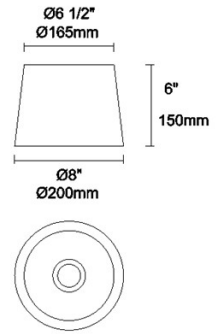


Shade, white, Ø200mm

Structure material: Steel

Diffuser material: Fabric shade

Diffuser finish: White



IP20 RF
850°C

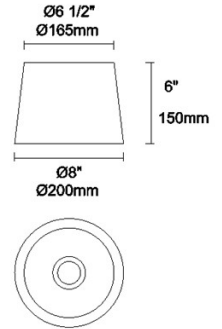
PAN-157-BY



Structure material: Steel

Diffuser material: Fabric shade

Diffuser finish: Sandblasted



IP20 RF
850°C

PAN-178-14

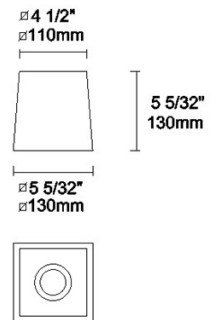


Shade, white, 130x130x110mm

Structure material: Steel

Diffuser material: Fabric shade

Diffuser finish: White



IP20 650°

PAN-178-BY

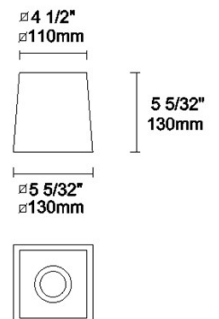


Shade, beige fabric, 130x130x110mm

Structure material: Steel

Diffuser material: Fabric shade

Diffuser finish: Sandblasted



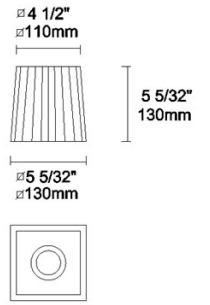
IP20 650°

PAN-186-20



Shade, beige, pleated, 130x130x110mm

Structure material: Steel
Diffuser material: Ribboned shade
Diffuser finish: Beige



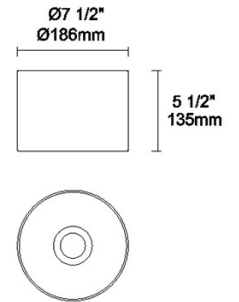
IP20 RF
850°C

PAN-198-V7



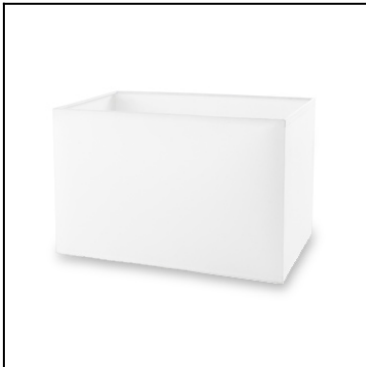
Shade, old copper, Ø186mm

Structure material: Steel
Diffuser material: PVC
Diffuser finish: Antique copper



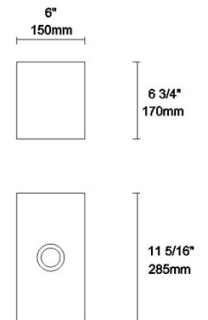
IP20 RF
850°C

PAN-176-14



Shade, white, 182x170x150mm

Structure material: Steel
Diffuser material: Fabric shade
Diffuser finish: White



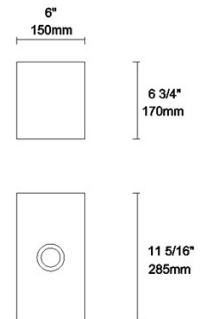
RF
850°C

PAN-176-BY



Shade, beige fabric, 182x170x150mm

Structure material: Steel
Diffuser material: Fabric shade
Diffuser finish: Sandblasted



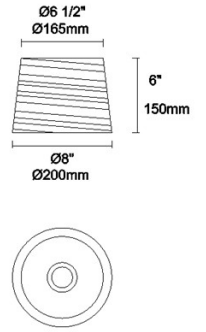
RF
850°C

PAN-219-14



Shade, white, horizontal wrapping, Ø200mm

Structure material: Steel
Structure finish: White
Diffuser material: Ribboned shade
Diffuser finish: White



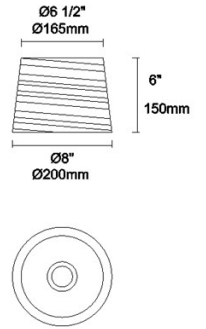
IP20 RF
850°C

PAN-219-05

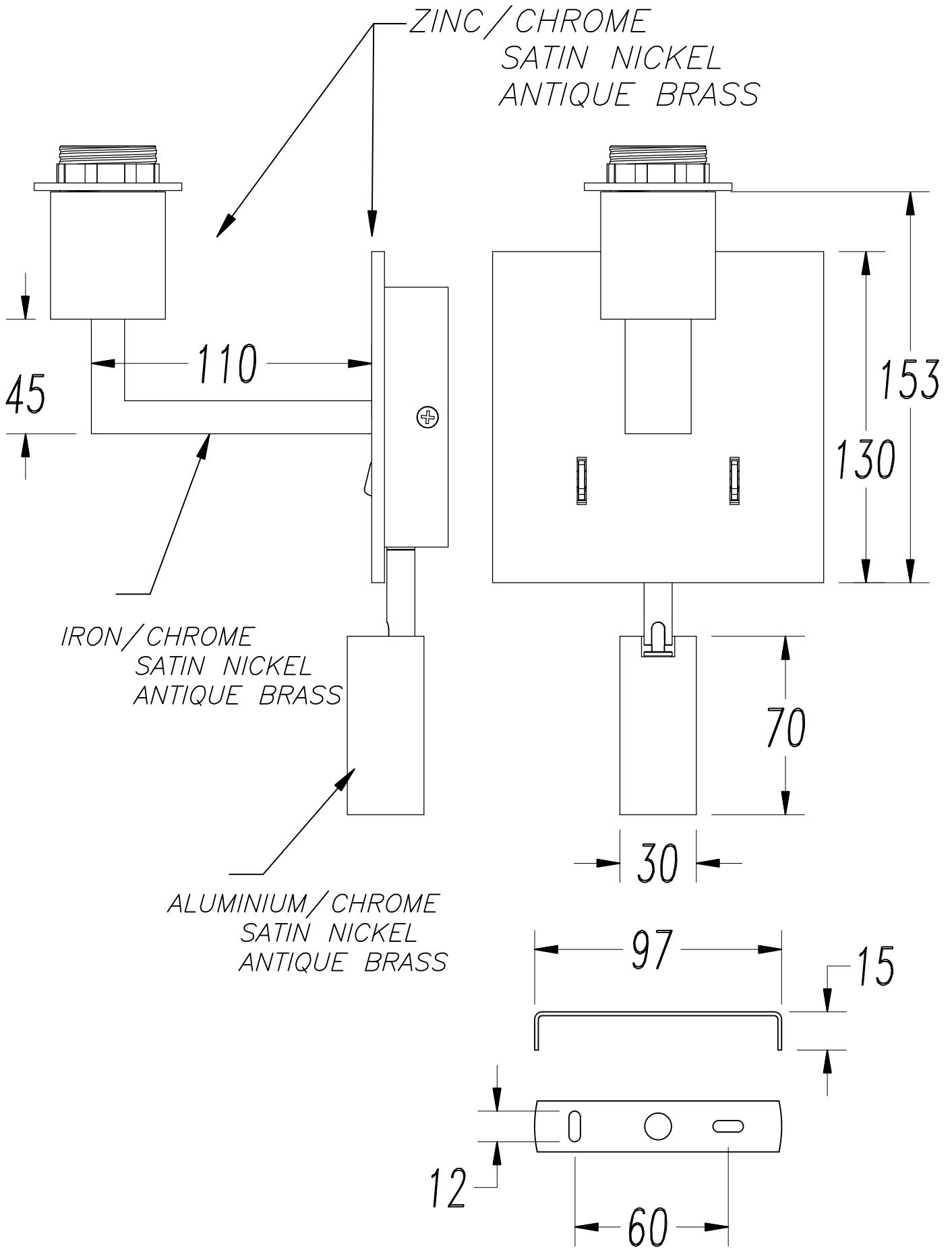


Shade, black horizontal wrapping, Ø200mm

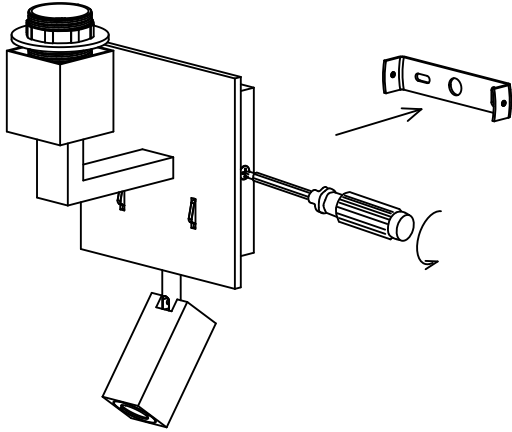
Structure material: Steel
Structure finish: White
Diffuser material: Ribboned shade
Diffuser finish: Black



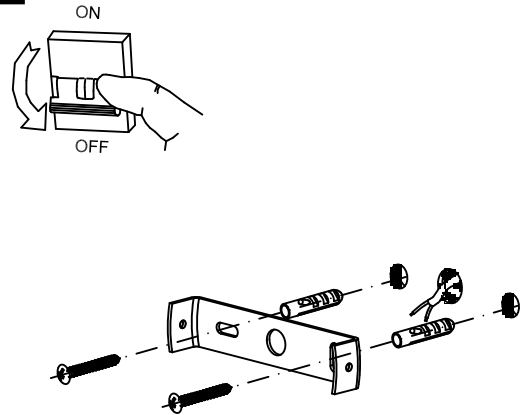
IP20 RF
850°C



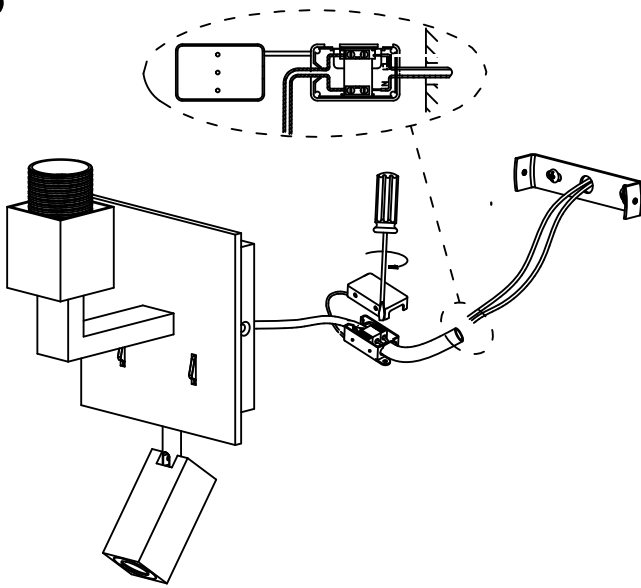
1



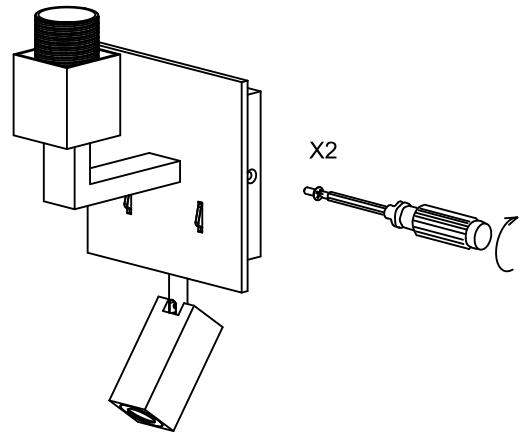
2



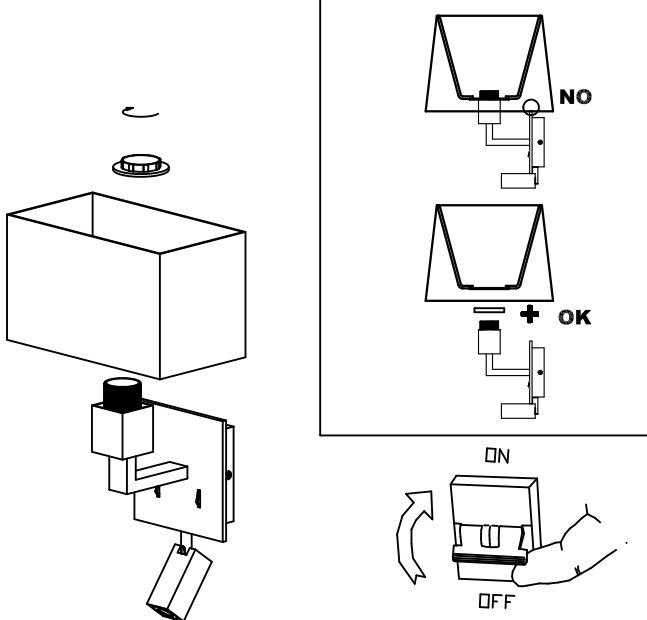
3



4



5



6

