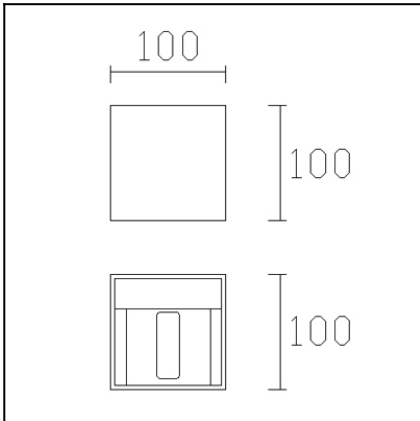
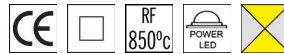


The photograph may not match the reference exactly. Please read the product description to identify the finish.



TECHNICAL CHARACTERISTICS

| | |
|---|---|
| Type: | Wall fixture |
| IP Protection degrees: | IP20 |
| Light source 1: | 4 x LED Cree LED 4.1W Warm White - 3000K 428 lm ^(N) CRI 80 |
| Voltage / Frequency: | 100-240V/50-60Hz |
| Warranty (Years): | 2 |
| Option to extend the guarantee (Years): | 5 |
| Units per box: | 6 |
| Net Weight (Kg): | 0.67 |

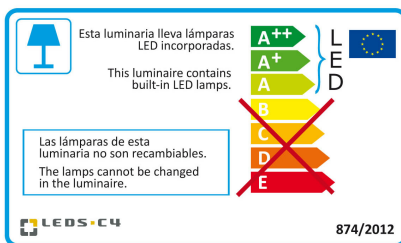


MATERIALS / FINISHES

Structure material: Extruded aluminium
Injected aluminium

Structure finish: Red

Download photometric file .ldt / .ies



Click on image to download energy label

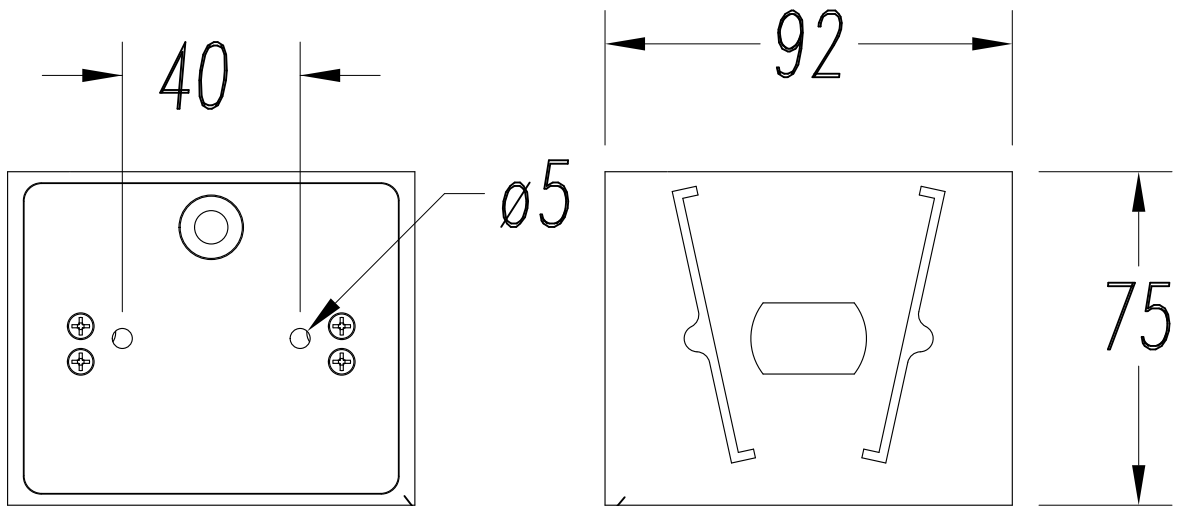
GEAR

Multi-voltage electronic gear included (110-240 V / 50-60 Hz)

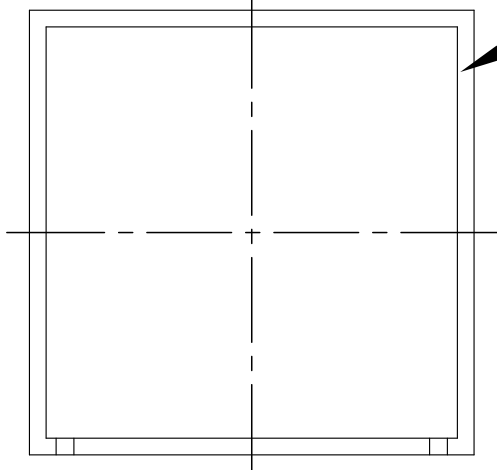
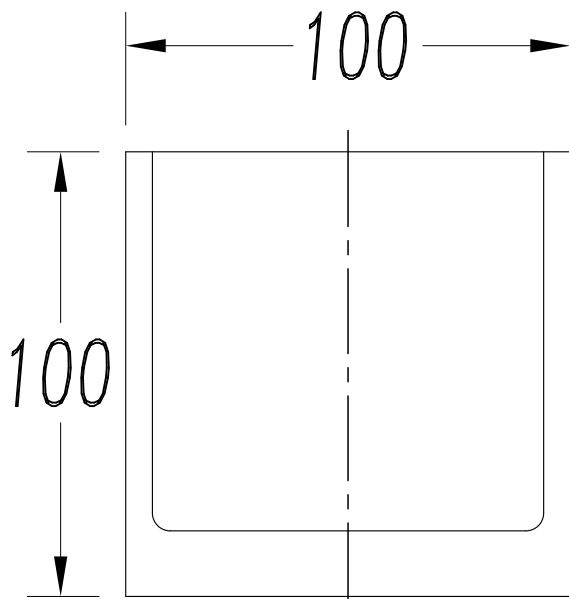
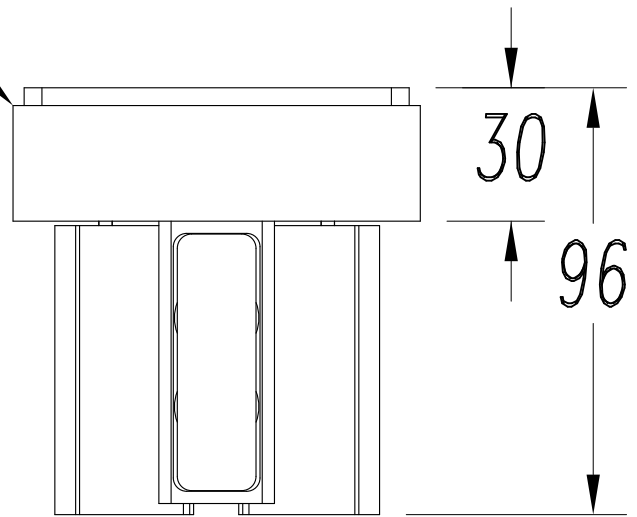
Lm^(N): Nominal flow of light in actual working conditions. Its actual flow will depend on the environmental conditions and the efficiency of the optics and/or diffuser.

Leds-c4 reserves the right to make the necessary technical changes they deem adequate, in order to improve the features of the product.
Please consult the sales team to clarify any doubt.

(+34) 973 468 100
leds-c4@leds-c4.com
www.leds-c4.com

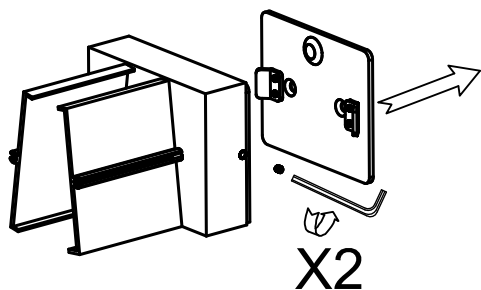


ALUMINIUM/MATT WHITE

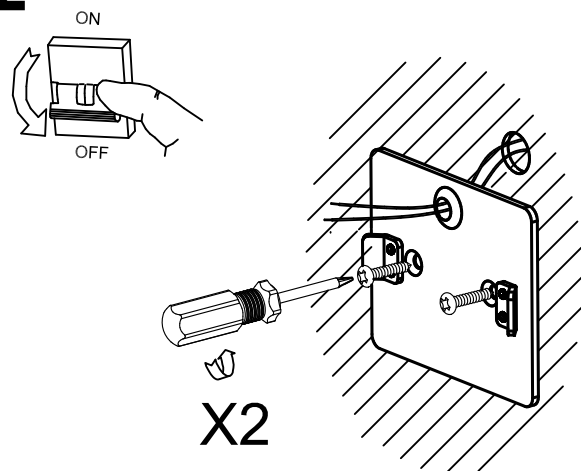


ALUMINIUM/MATT WHITE
MATT RED
MATT SILVER

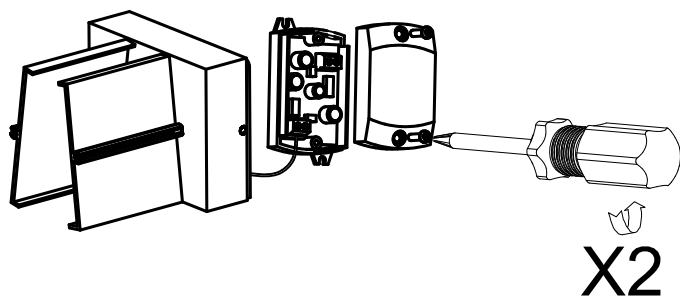
1



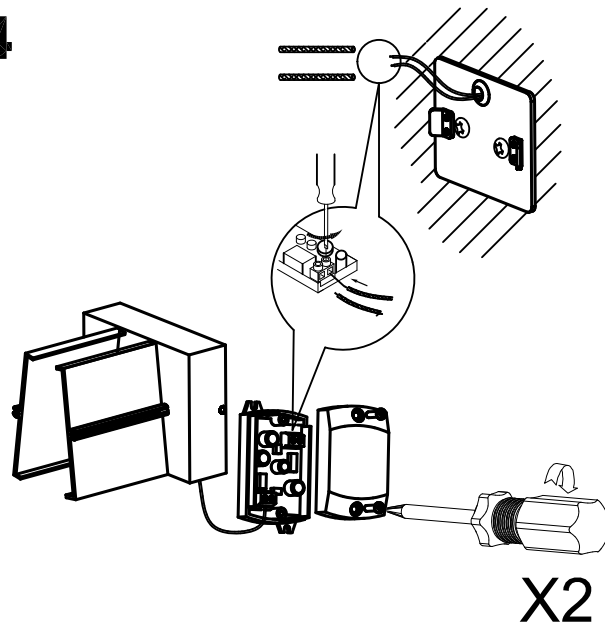
2



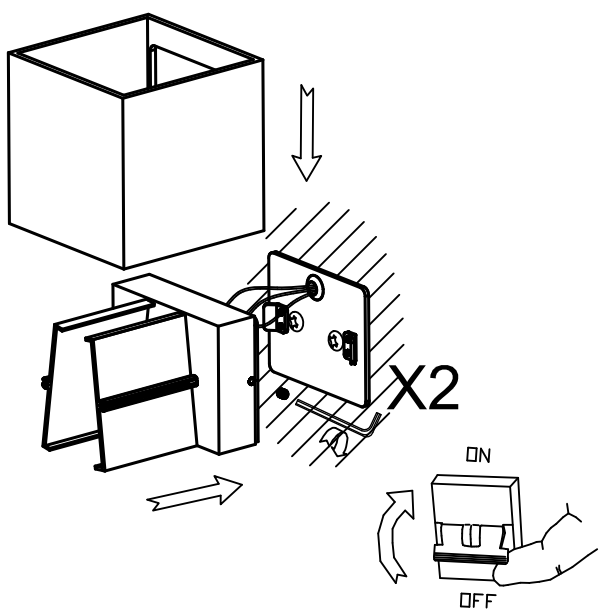
3



4



5



6

