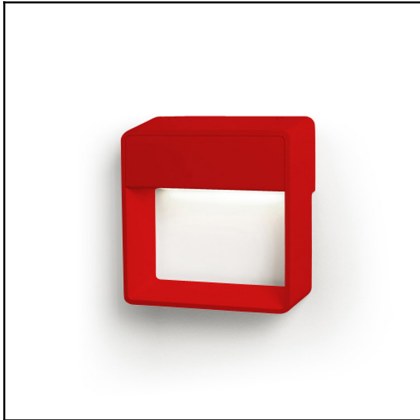
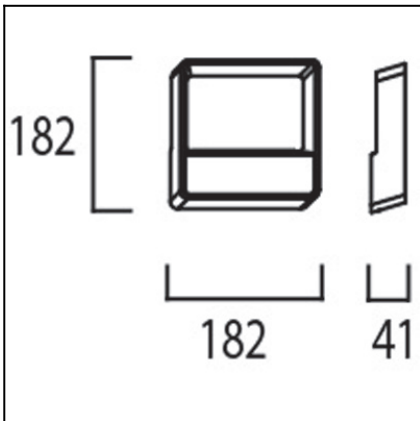


**Design by Francesc Vilaró**


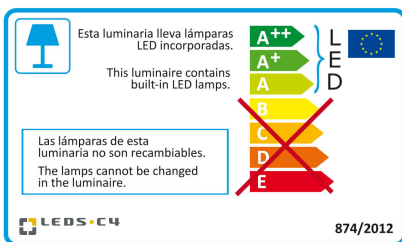
The photograph may not match the reference exactly. Please read the product description to identify the finish.


**TECHNICAL CHARACTERISTICS**

Type:	Wall fixture
IP Protection degrees:	IP20
Light source 1:	1 x LED 3,4W Warm White - 3000K 326 lm <sup>(N)</sup> CRI 80
Voltage / Frequency:	100-240V/50-60Hz
Warranty (Years):	2
Option to extend the guarantee (Years):	5
Units per box:	12
Net Weight (Kg):	0.73
EAN:	8435381414924


**MATERIALS / FINISHES**

<b>Structure material:</b>	Aluminium	<b>Diffuser material:</b>	Methacrylate
<b>Structure finish:</b>	Red	<b>Diffuser finish:</b>	Opal

[Download photometric file .ldt / .ies](#)

[Click on image to download energy label](#)
**GEAR**

Multi-voltage electronic gear included (100-240V / 50-60Hz)

Lm<sup>(N)</sup>: Nominal flow of light in actual working conditions. Its actual flow will depend on the environmental conditions and the efficiency of the optics and/or diffuser.

LEDS-C4 reserves the right to make the necessary technical changes they deem adequate, in order to improve the features of the product.  
Please consult the sales team to clarify any doubt.

(+34) 973 468 100  
leds-c4@leds-c4.com  
www.leds-c4.com

**71-3544-BW-BW****Structure material:**

Aluminium

**Structure finish:**

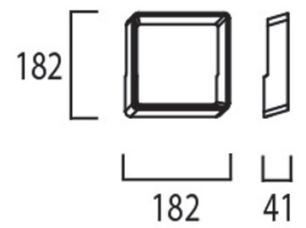
Matt white

**Diffuser material:**

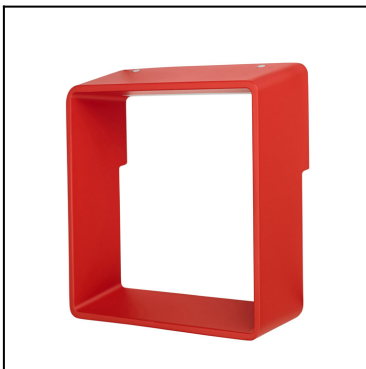
Methacrylate

**Diffuser finish:**

Opal



IP20

**71-3544-25-25****Structure material:**

Aluminium

**Structure finish:**

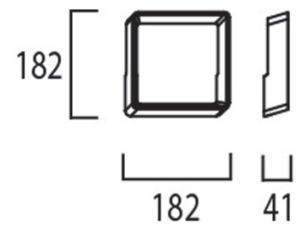
Red

**Diffuser material:**

Methacrylate

**Diffuser finish:**

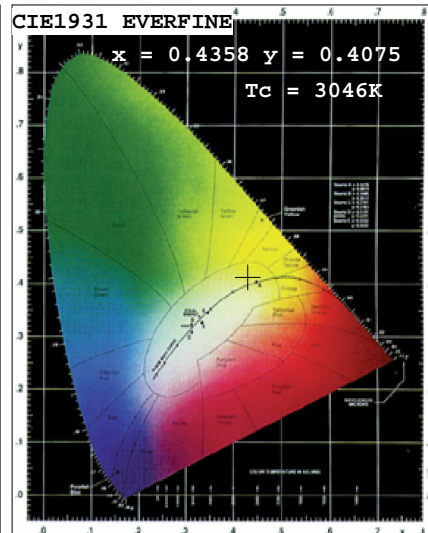
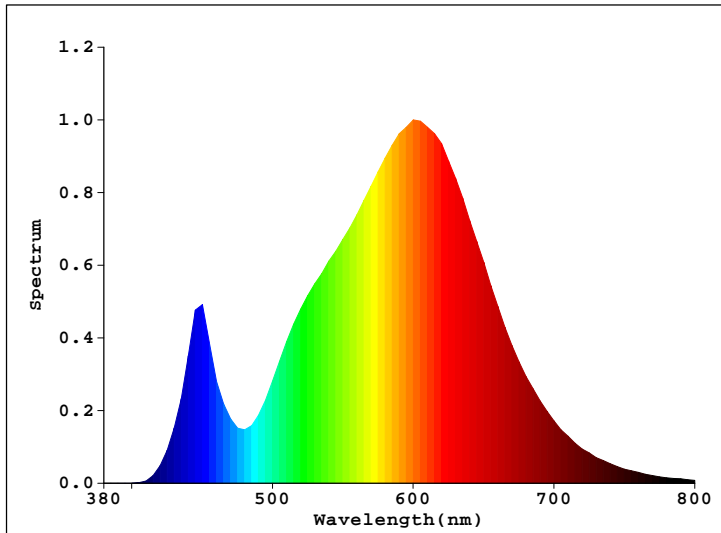
Opal



IP20



Light Source Test Report



**Color Parameters:**

Chromaticity Coordinate:  $x=0.4358$   $y=0.4075$   
 Chromaticity Coordinate:  $u'=0.4358$   $v'=0.4075$  ( $duv=1.51e-03$ )  
 Tc=3046K Dominant WL:Ld=582.1nm Purity=53.1% Centroid WL:589.0nm  
 Ratio:R=23.9% G=74.2% B=1.9% Peak WL:Lp=600.0nm HWL:136.0nm  
 Render Index:Ra=80.3  
 R1 =78 R2 =87 R3 =94 R4 =79 R5 =78 R6 =82 R7 =84  
 R8 =60 R9 =4 R10=69 R11=77 R12=63 R13=80 R14=96 R15=72

**Photo Parameters:**

Flux: 1214.2 lm Fe: 3.6696 W Efficacy:36.87 lm/W  
 WHITE:ANSI\_3000K

**Electrical Parameters:**

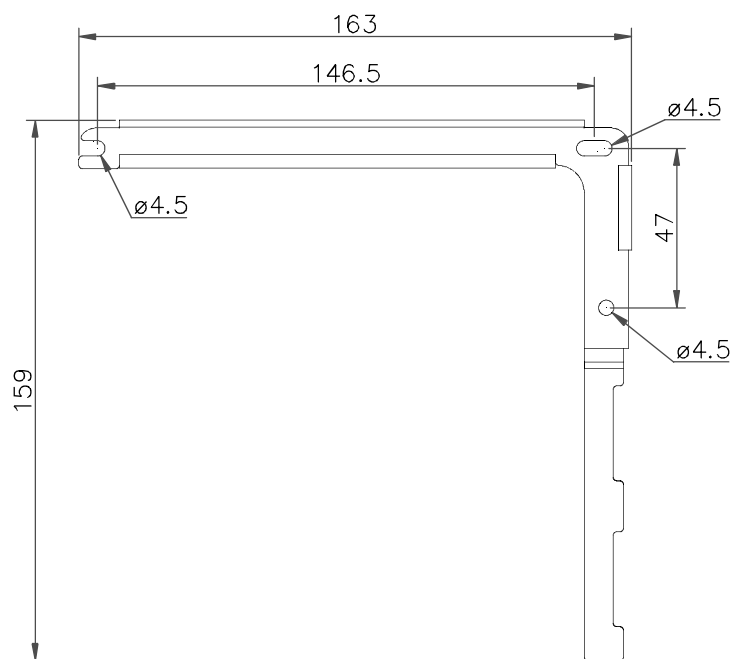
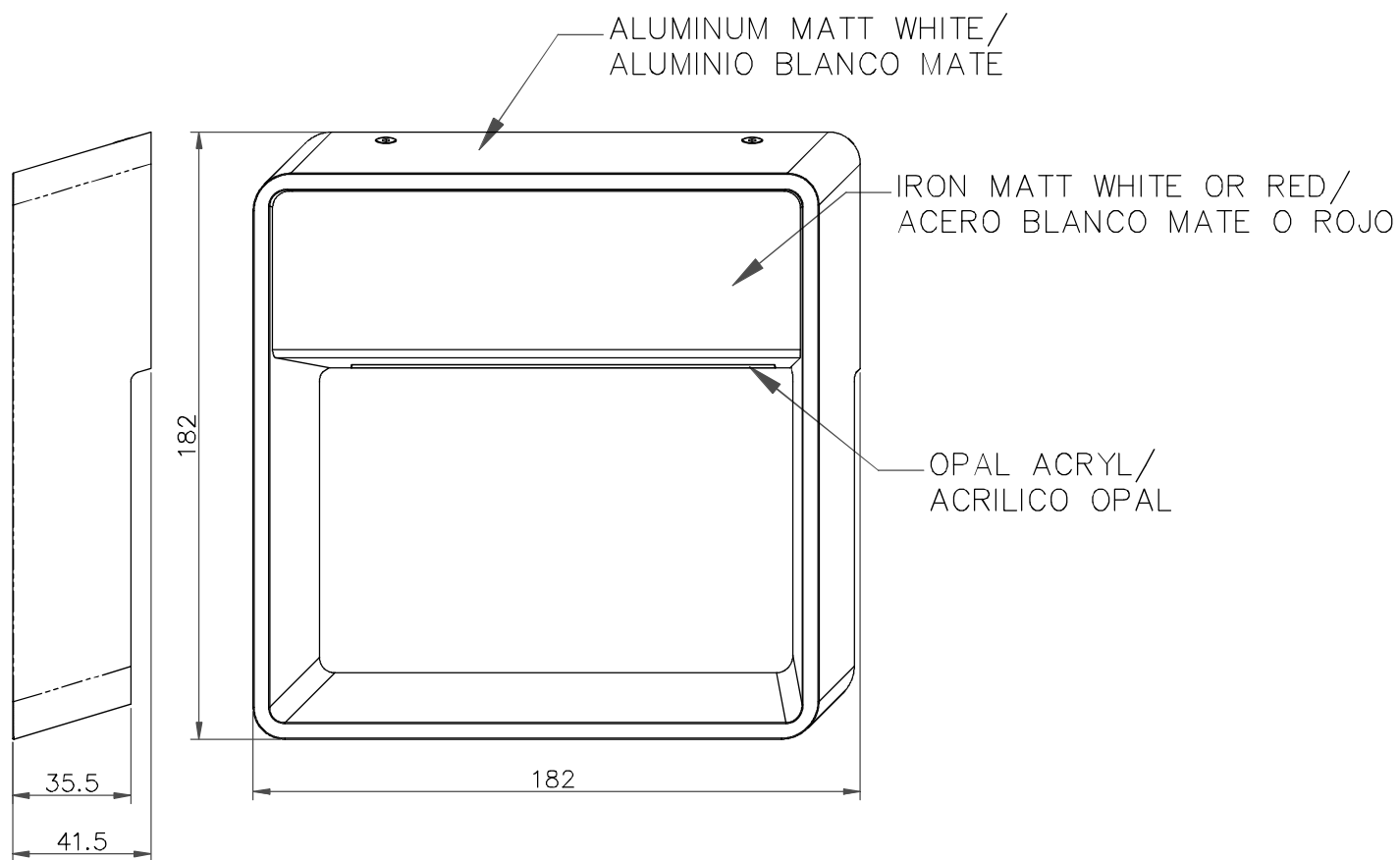
Luminaire: U=220.0V I=0.1519A P=32.93W PF=0.9782

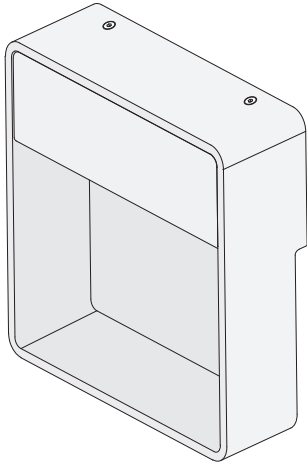
*Instrument Status:*

Scan Range:380.0nm-800.0nm Interval:5.0nm[0]  $I_p=20475(G=4,D=45)$   
 REF=10985(R=3)  $\%=0.294\%$  PMT: 13.7 centigrade [150.0]

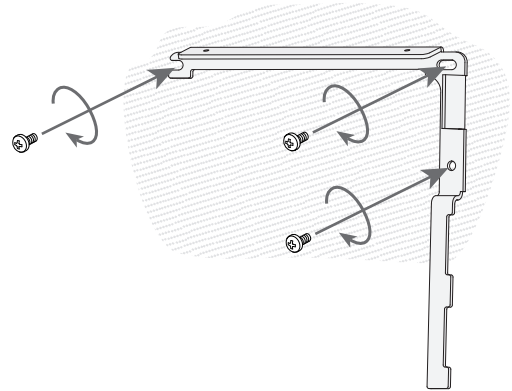
Product Type:15-3231-81-81  
 Number:1  
 Temperature:25.3 deg  
 Test Operator:PENGFW  
 Software:V2.00.100

Manufacturer:comely  
 Test Department:comely  
 Humidity:65.0%  
 Test Date:2014-02-20 11:42:09  
 Instrument:PMS-80\_V1 (SN:11050006)

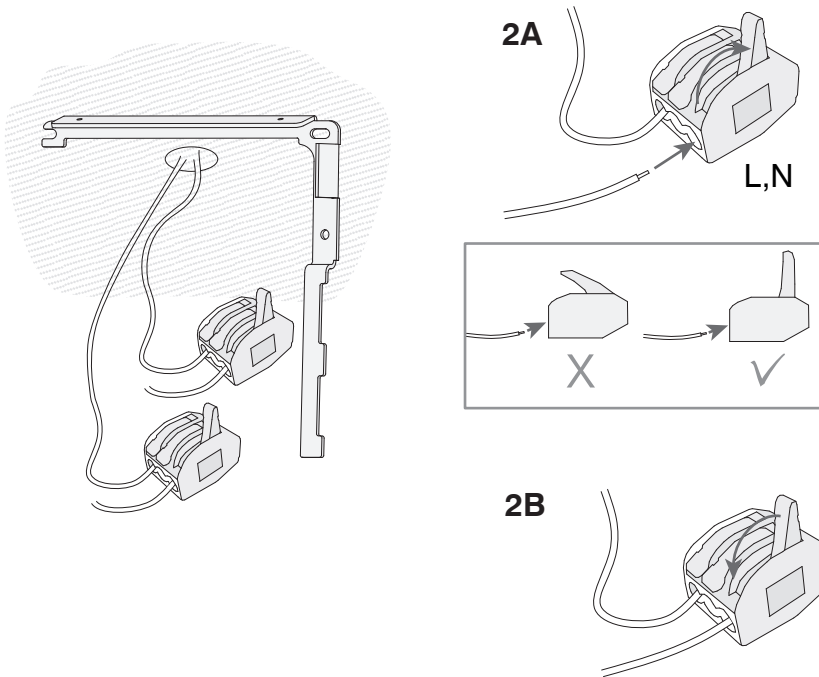




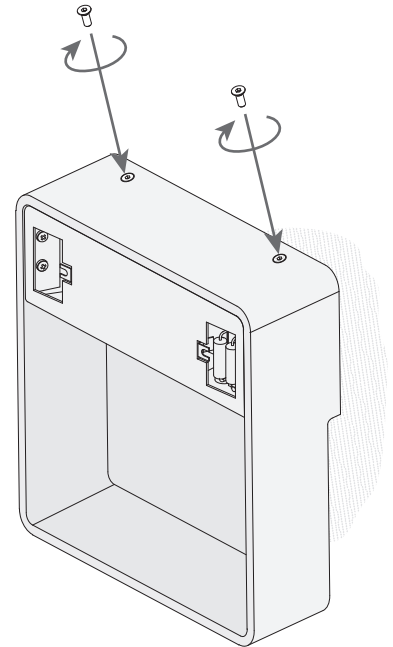
1



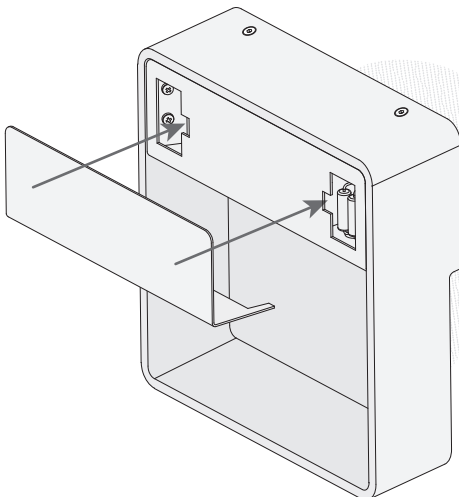
2



3



4



5

