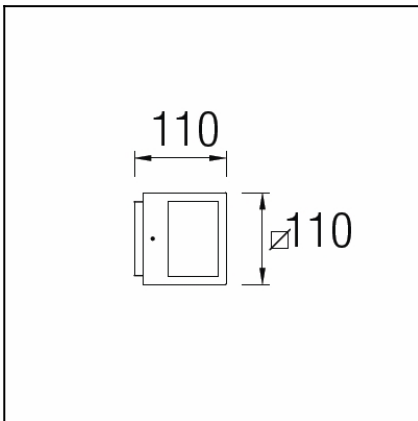
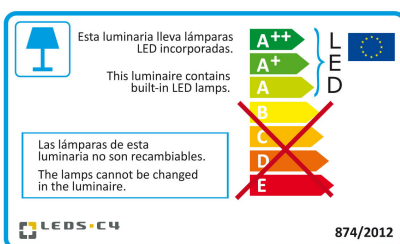


OUT 
POKER
05-9732-34-37


The photograph may not match the reference exactly. Please read the product description to identify the finish.



Download photometric file .ldt / .ies



Click on image to download energy label

TECHNICAL CHARACTERISTICS

Type:	Wall fixture
IP Protection degrees:	IP65
IK Protection degrees:	IK03
Light source 1:	4 x LED Philips 8,1W Neutral white - 4000K 756 lm ^(N) CRI 75
Total power consumption (W):	11W
Angle of the optics / Reflector:	10°
Voltage / Frequency:	100-240V/50-60Hz
Warranty (Years):	2
Option to extend the guarantee (Years):	5
Units per box:	6
Net Weight (Kg):	1.16
EAN:	8435381412661


MATERIALS / FINISHES

Structure material:	High purity aluminium	Diffuser material:	Glass
Structure finish:	Grey	Diffuser finish:	Transparent

GEAR

Gear included: Yes, electronic

Lm^(N): Nominal flow of light in actual working conditions. Its actual flow will depend on the environmental conditions and the efficiency of the optics and/or diffuser.

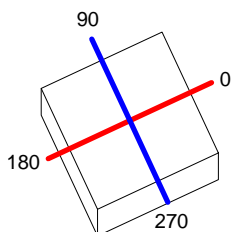
LEDS-C4 reserves the right to make the necessary technical changes they deem adequate, in order to improve the features of the product.
Please consult the sales team to clarify any doubt.

(+34) 973 468 100
leds-c4@leds-c4.com
www.leds-c4.com

Luminaire		Measur.		Lamp		
Code	05-9732	Code	05-9732	Code	1885	
Name	WALL FIXTURES	Name	WALL FIXTURES	Number	1	
Line	Eulumdat	Date	11-02-2014	Position		
Efficiency	85.76%	Coordinate system	CG	Total Flux	670.90 lm	
Maximum value	2437.53 cd	Position	C=90.00 G=91.00	Asymmetrical		
Rectangular Luminaire	Length	1 mm	Width	1 mm	Height	1 mm
Rectangular Luminous Area	Length	1 mm	Width	1 mm	Height	0 mm
Horizontal Luminous Area	0.000001 m2	Emitting area on Plane 180°		0.000000 m2		
Emitting area on Plane 0°	0.000000 m2	Emitting area on Plane 270°		0.000000 m2		
Emitting area on Plane 90°	0.000000 m2	Glare area at 76°		0.000000 m2		
Symmetry Type	Asymmetrical	Maximum Gamma Angle		180		
Measurement Distance	0.00	Measurement Flux		670.90 lm		
Operator		Source voltage				
Temperature	25.00 °C	Source current				
Humidity	60.00 %	Photocell				
Notes						

Line		Code		Luminaire Lamps		Flux [lm]	Pow. [W]	Q.ty
Eulumdat		1885		Name		670.90	11.30	1
				1885 - 11.30 W				
C.I.E.	0 2 7 48 86			D DIN 5040		C12		
F UTE	--			B NBN		BZ 10		

1mm x 1mm



C Halfplanes

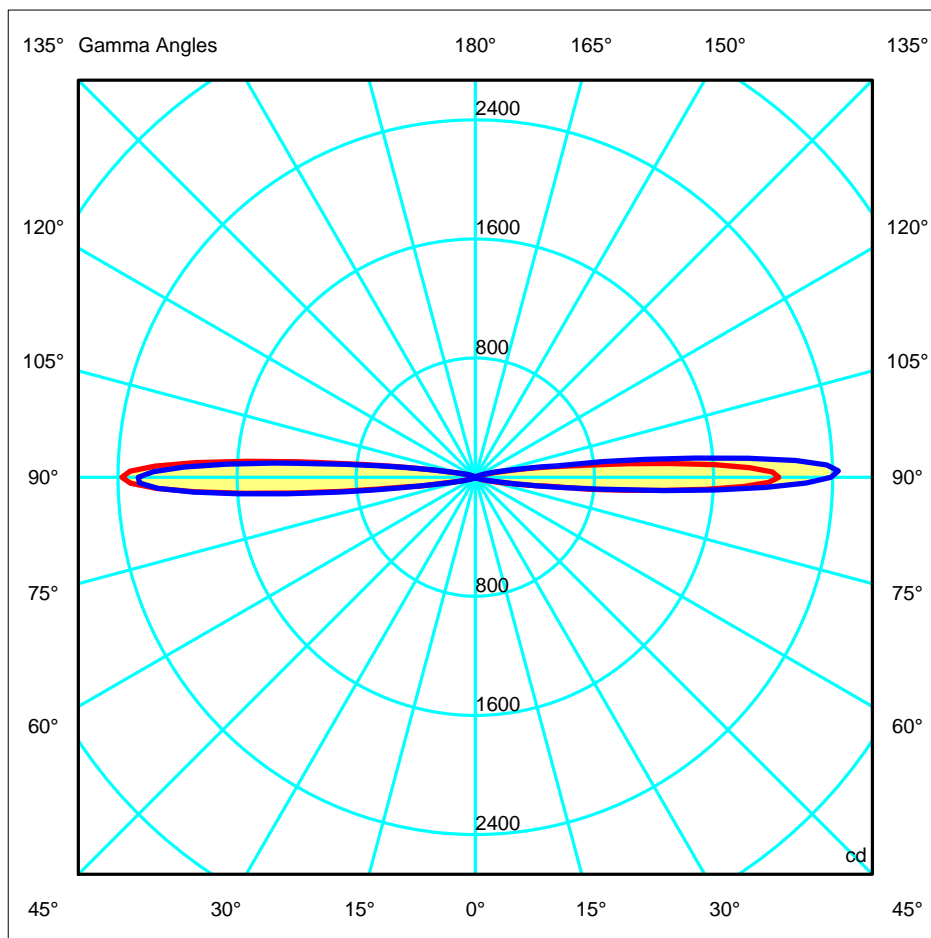
180.0 — 0.0

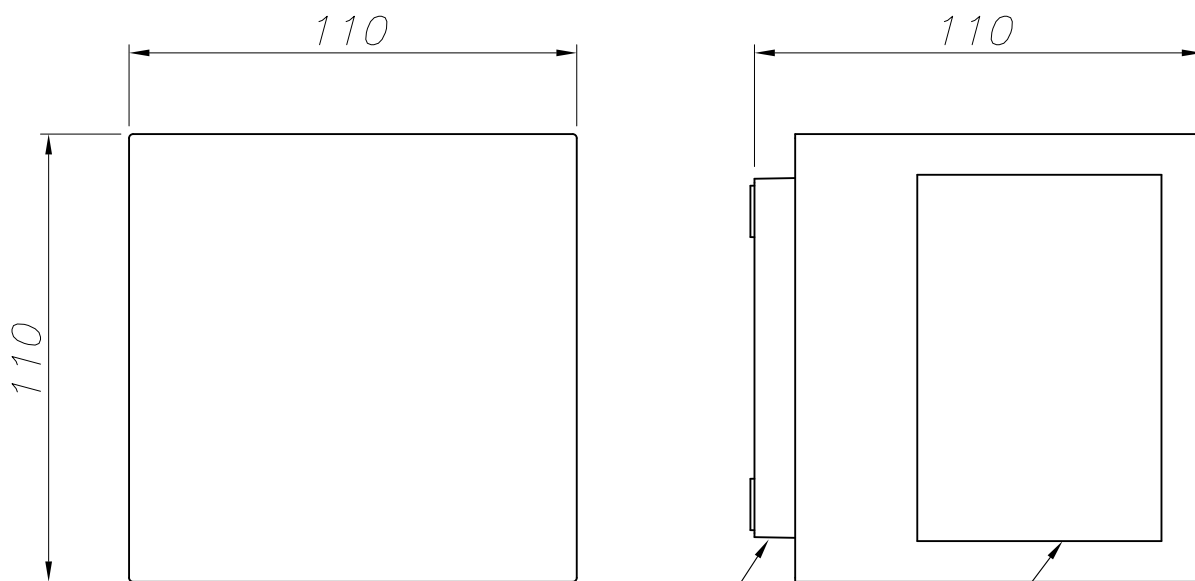
270.0 — 90.0

ULOR 44.19 %

DLOR 41.57 %

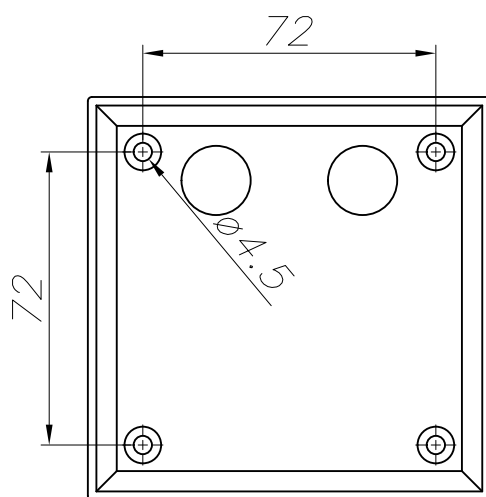
RN 51.53 %





ALUMINIO INYECTADO
INJECTED ALUMINIUM

CRISTAL TRANSPARENTE PINTADO INTERIOR
TRANSPARENT GLASS PAINTED INSIDE



PLANTILLA DE INSTALACION
INSTALLATION TEMPLATE

