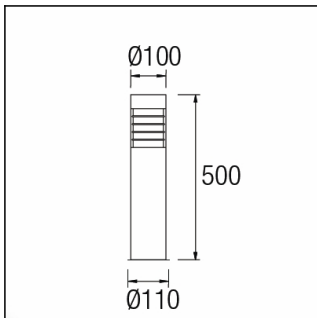




The photograph may not match the reference exactly. Please read the product description to identify the finish.



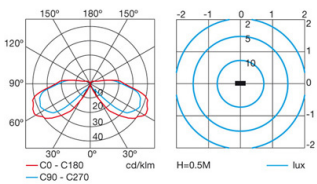
TECHNICAL CHARACTERISTICS

Type:	Beacon
IP Protection degrees:	IP54
Light source 1:	1 x E27 MAX 23W Maximum lamp length: 152.00 mm Maximum lamp diameter: 50.00 mm
Voltage / Frequency:	220-240V/50-60Hz
Warranty (Years):	2
Option to extend the guarantee (Years):	5
Units per box:	4
Net Weight (Kg):	1.49
EAN:	8435381411442

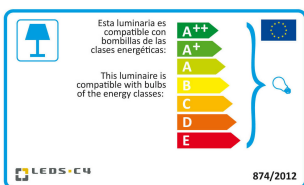


MATERIALS / FINISHES

Structure material:	Stainless steel AISI316	Diffuser material:	Polycarbonate
Structure finish:	Polished	Diffuser finish:	Transparent



Download photometric file .ldt /.ies

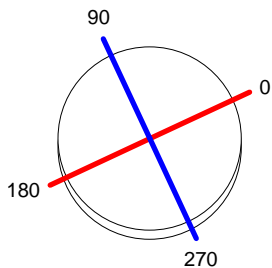


Click on image to download energy label

Luminaire		Measur.		Lamp	
Code	55-9239-CA-M2	Code	55-9239-CA-M2	Code	55-9239-Y4-M2
Name	Baliza 11W TC-DEL E27	Name	Baliza 11W TC-DEL E27	Number	1
Line	Eulumdat	Date	20-11-2008	Position	
Efficiency	22.06%	Coordinate system	CG	Total Flux	637.00 lm
Maximum value	28.10 cd	Position	C=0.00 G=65.00	Double Symmetrical	
Round Luminaire	Diam.	100 mm	Height	500 mm	
Round Luminous Area	Diam.	100 mm	Height	110 mm	
Horizontal Luminous Area	0.007854 m2	Emitting area on Plane 180°	0.011000 m2		
Emitting area on Plane 0°	0.011000 m2	Emitting area on Plane 270°	0.011000 m2		
Emitting area on Plane 90°	0.011000 m2	Glare area at 76°	0.012573 m2		
Symmetry Type	Double Symmetrical	Maximum Gamma Angle	180		
Measurement Distance	0.00	Measurement Flux	637.00 lm		
Operator	OxyTech	Source voltage			
Temperature	25.00 °C	Source current			
Humidity	60.00 %	Photocell			
Notes					

Luminaire Lamps					
Line	Code	Name	Flux [lm]	Pow. [W]	Q.ty
Eulumdat	55-9239-Y4-M2	55-9239-Y4-M2 - 11.00 W	637.00	11.00	1
C.I.E.	11 39 74 81 22	D DIN 5040	B11		
F UTE	--	B NBN	BZ 10 / 3 / BZ 9		

Diam=100mm



C Halfplanes

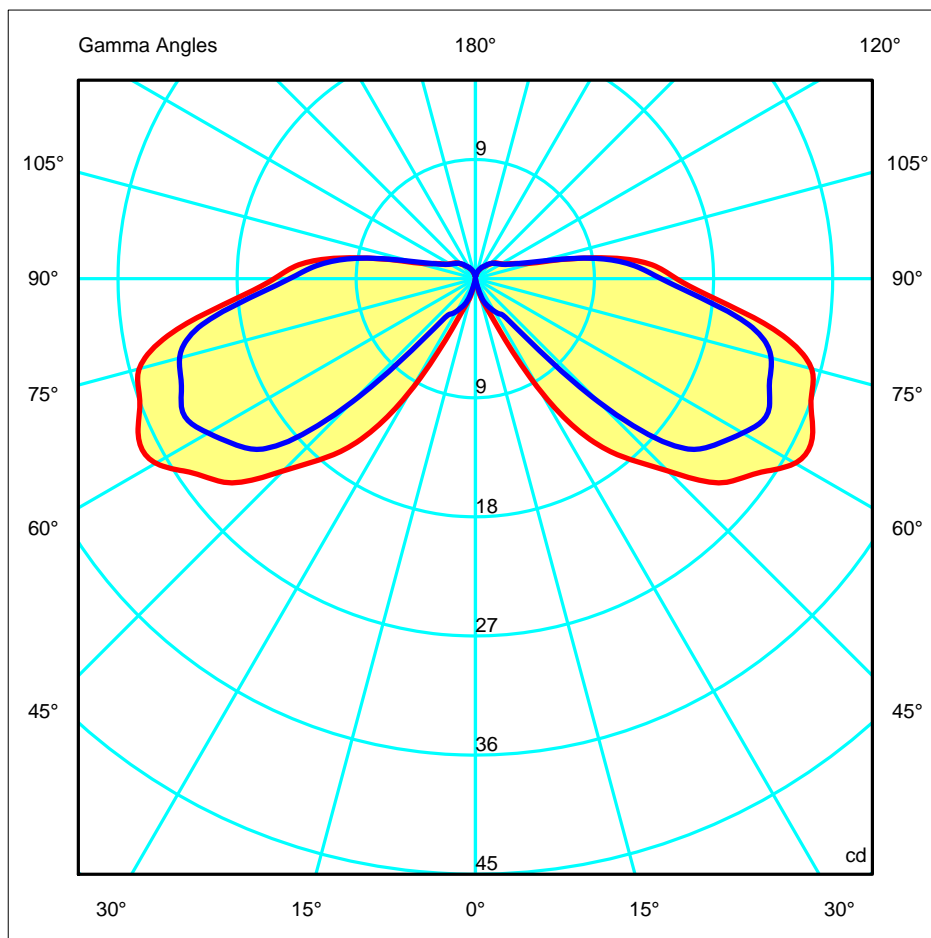
180.0 — 0.0 (Red line)

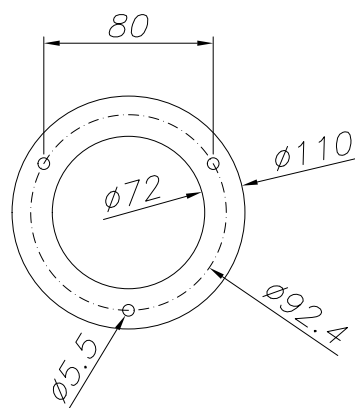
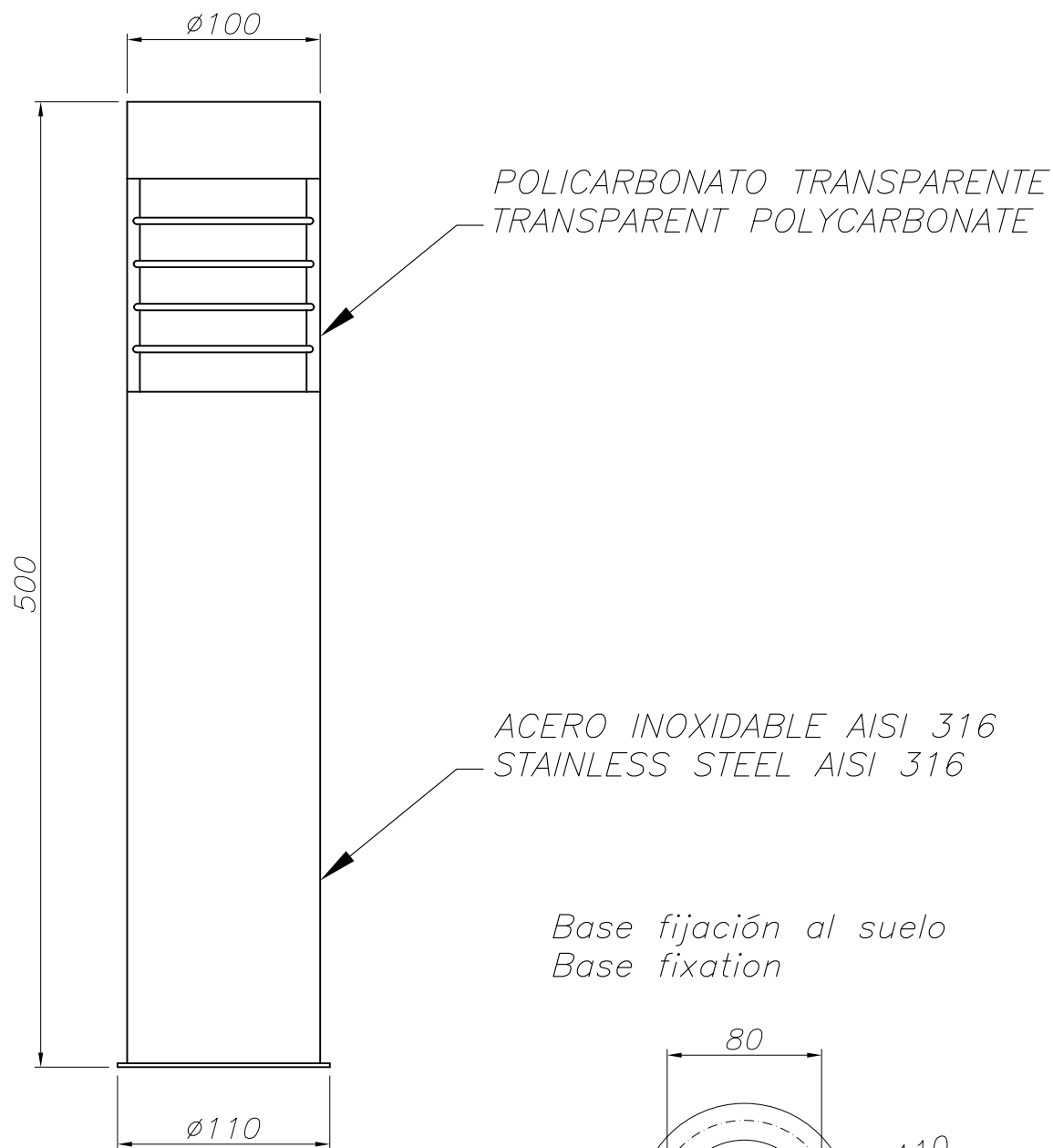
270.0 — 90.0 (Blue line)

ULOR 4.14 %

DLOR 17.92 %

RN 18.76 %





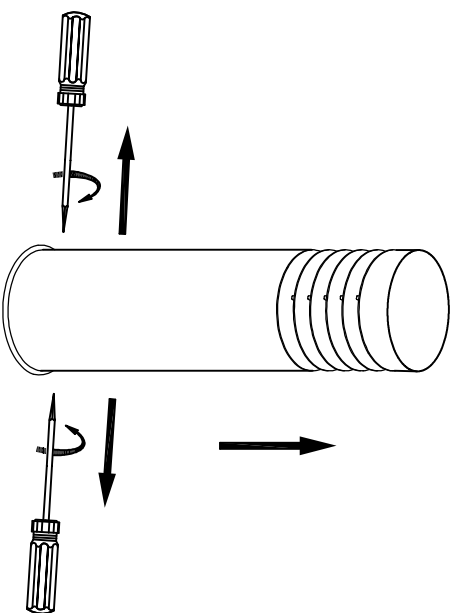


LEDSTAR

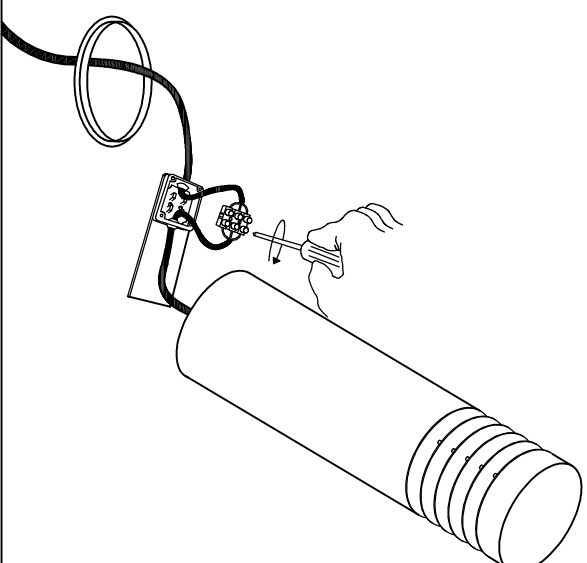
OUTDOOR

55-9239

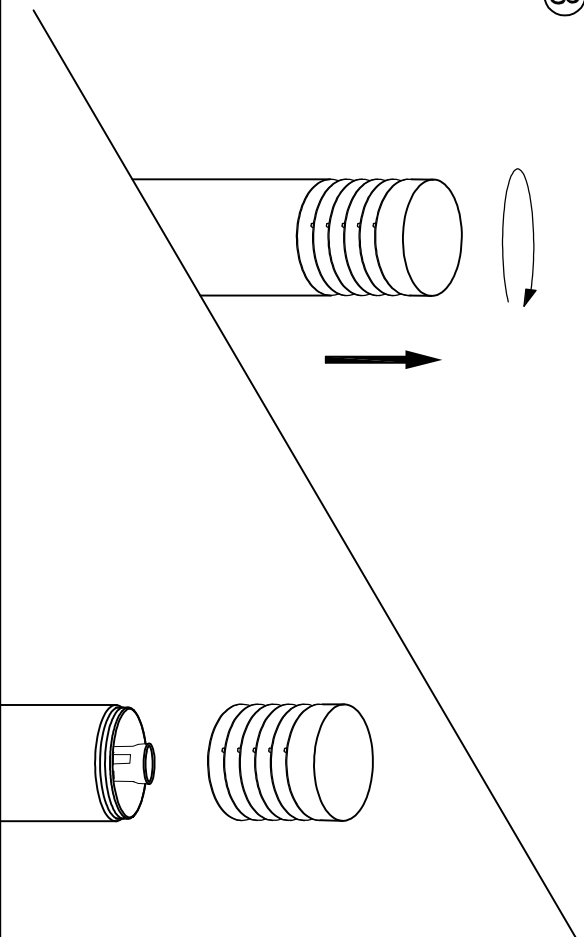
①



②



③



④

