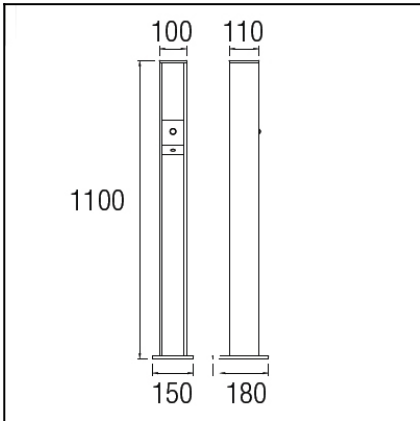


OUT 

TWO-LIGHT 55-9775-Z5-CD



The photograph may not match the reference exactly. Please read the product description to identify the finish.



TECHNICAL CHARACTERISTICS

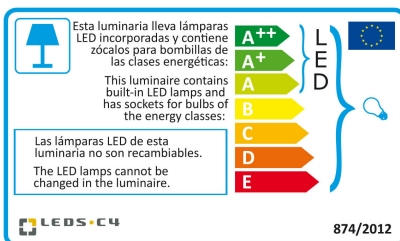
Type:	Beacon
IP Protection degrees:	IP65
IK Protection degrees:	IK07
Light source 1:	1 x E27 MAX 23W Maximum lamp length: 180.00 mm
Light source 2:	1 x LED 1W Warm White - 3000K 94 lm ⁽⁰⁾
Voltage / Frequency:	220-240V/50-60Hz
Warranty (Years):	2
Units per box:	2
EAN:	8435381412760



MATERIALS / FINISHES

Structure material:	High purity aluminium	Diffuser material:	Polycarbonate
Structure finish:	Urban grey	Diffuser finish:	Matt

Download photometric file .ldt / .ies



Click on image to download energy label

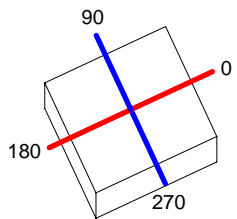
GEAR

Gear included: Yes, electronic

Luminaire		Measur.		Lamp			
Code	55-9775-Z5-CD	Code	55-9775-Z5-CD	Code	PL ELEC23W/827 E27		
Name	Baliza TWO-LIGHT 1W + 23W E27	Name	Baliza TWO-LIGHT 1W + 23W E27	Number	2		
Line	- LEDS-C4	Date	16-09-2014	Position	Universal		
Efficiency	14.31%	Coordinate system	CG	Total Flux	1537.46 lm		
Maximum value	338.20 cd	Position	C=90.00 G=25.00	Sym. on planes	270-90		
Rectangular Luminaire	Length	100 mm	Width	110 mm	Height	1010 mm	
Rectangular Luminous Area	Length	80 mm	Width	0 mm	Height	980 mm	
Horizontal Luminous Area	0.000000 m2	Emitting area on Plane 180°	0.078400 m2	Emitting area on Plane 270°	0.000000 m2	Glare area at 76°	0.076071 m2
Symmetry Type	Sym. on planes 270-90	Maximum Gamma Angle	180	Measurement Flux	1541.00 lm		
Measurement Distance	6.44	Source voltage	230.00 V	Source current			
Operator	Asselum T2	Photocell	Prc				
Temperature	25.00 °C						
Humidity	50.00 %						
Notes							

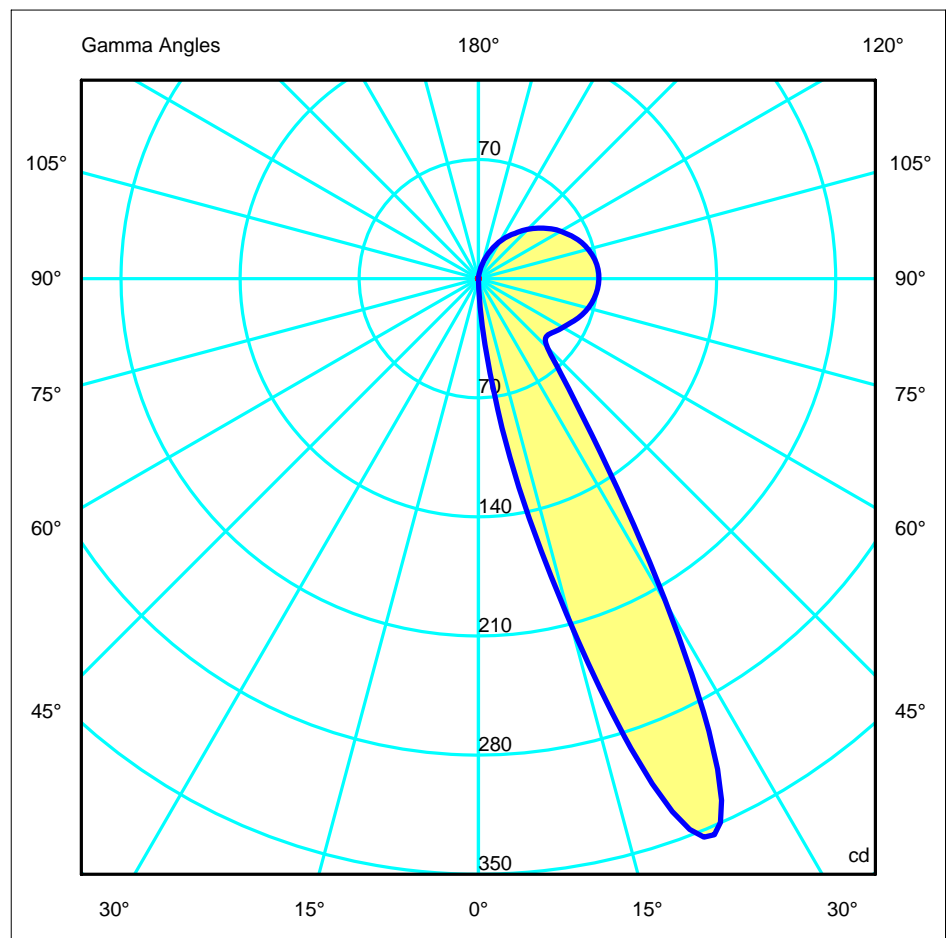
Luminaire Lamps					
Line	Code	Name	Flux [lm]	Pow. [W]	Q.ty
PHILIPS 2005 ILCOS FBT,G,C,FSQ	PL ELEC23W/827 E27	MASTER PL electr 23W/827 E27	1485.00	23.00	1
- LEDS C4 LEDS	LED 55-9775-Z5-CD	Lámpara leds 1W	52.46	1.00	1
C.I.E.	38 56 77 59 14	D DIN 5040	C21		
F UTE	0.08 H + 0.06 T	B NBN	BZ 6 / 2 / BZ 7		

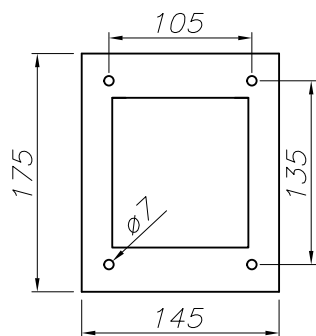
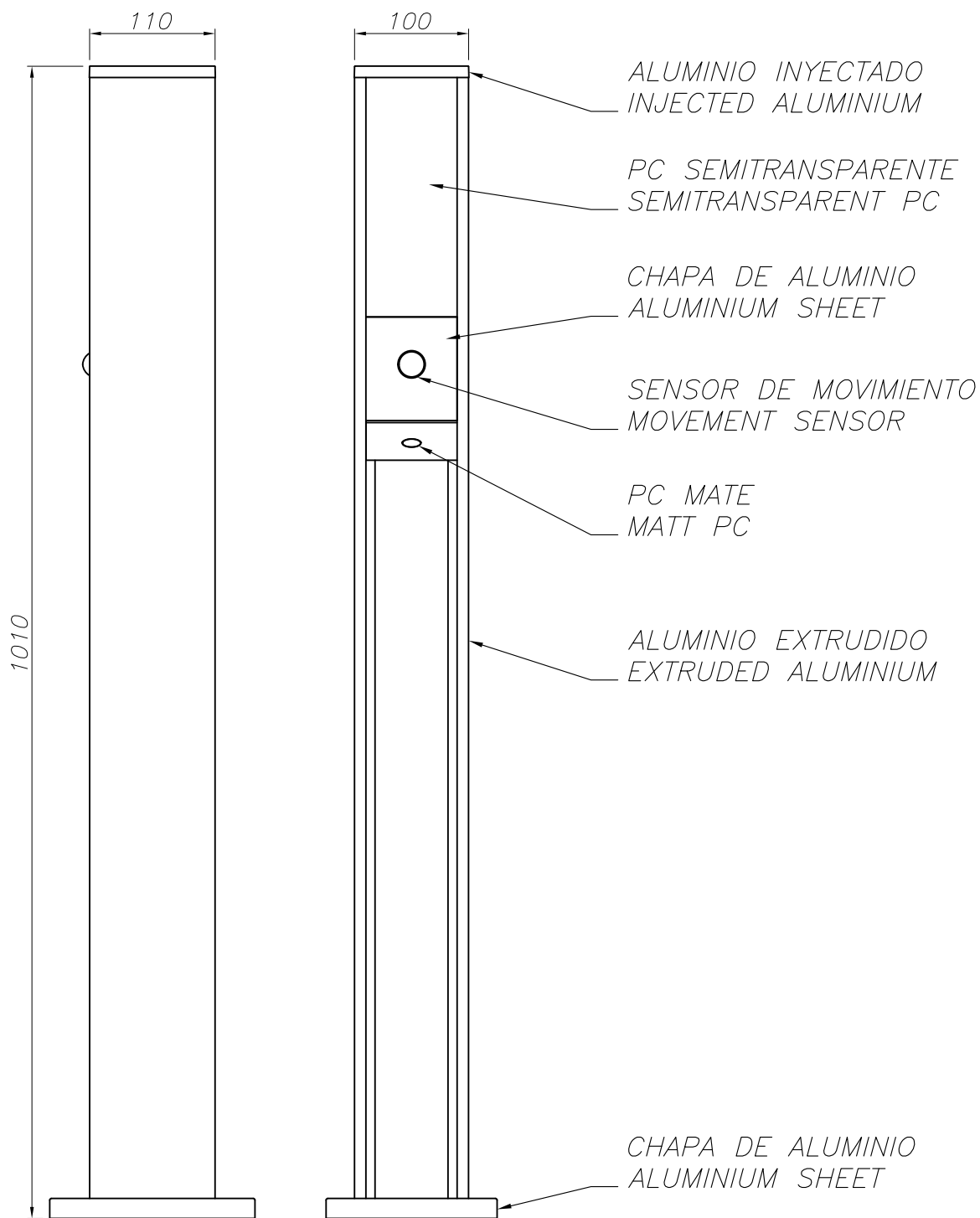
100mm x 110mm



C Halfplanes
 270.0 ————
 180.0 ———— 0.0
 ———— 90.0

ULOR 5.91 %
 DLOR 8.40 %
 RN 41.30 %





PLANTILLA DE INSTALACION
INSTALLATION TEMPLATE

