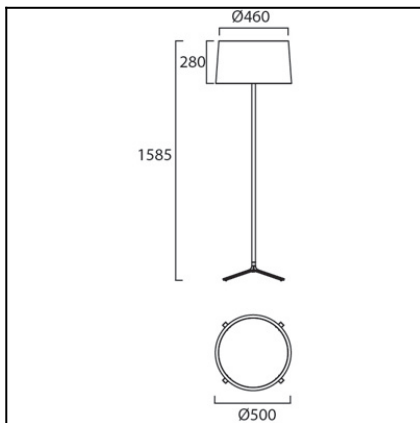


Design by Nahtrang design



The photograph may not match the reference exactly. Please read the product description to identify the finish.



### TECHNICAL CHARACTERISTICS

Type:	Floor lamp
IP Protection degrees:	IP20
Light source 1:	3 x E27 30W Maximum lamp length: 176.00 mm Maximum lamp diameter: 60.00 mm
Total power consumption (W):	60
Voltage / Frequency:	220-240V/50-60Hz
Units per box:	1
Net Weight (Kg):	5.63
Stability:	15°

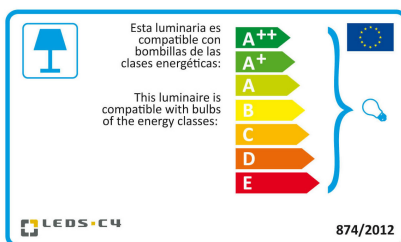


### MATERIALS / FINISHES

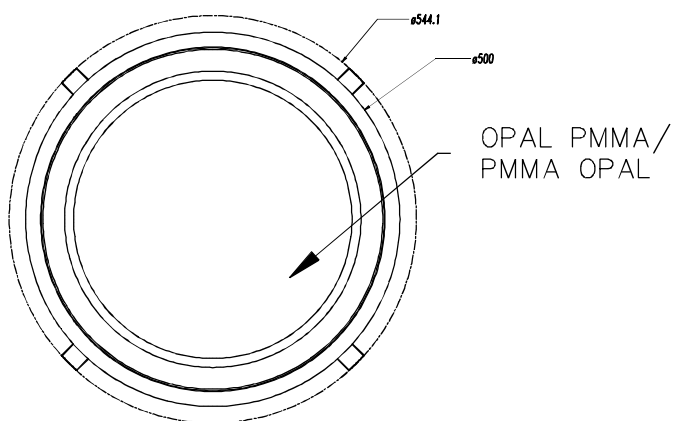
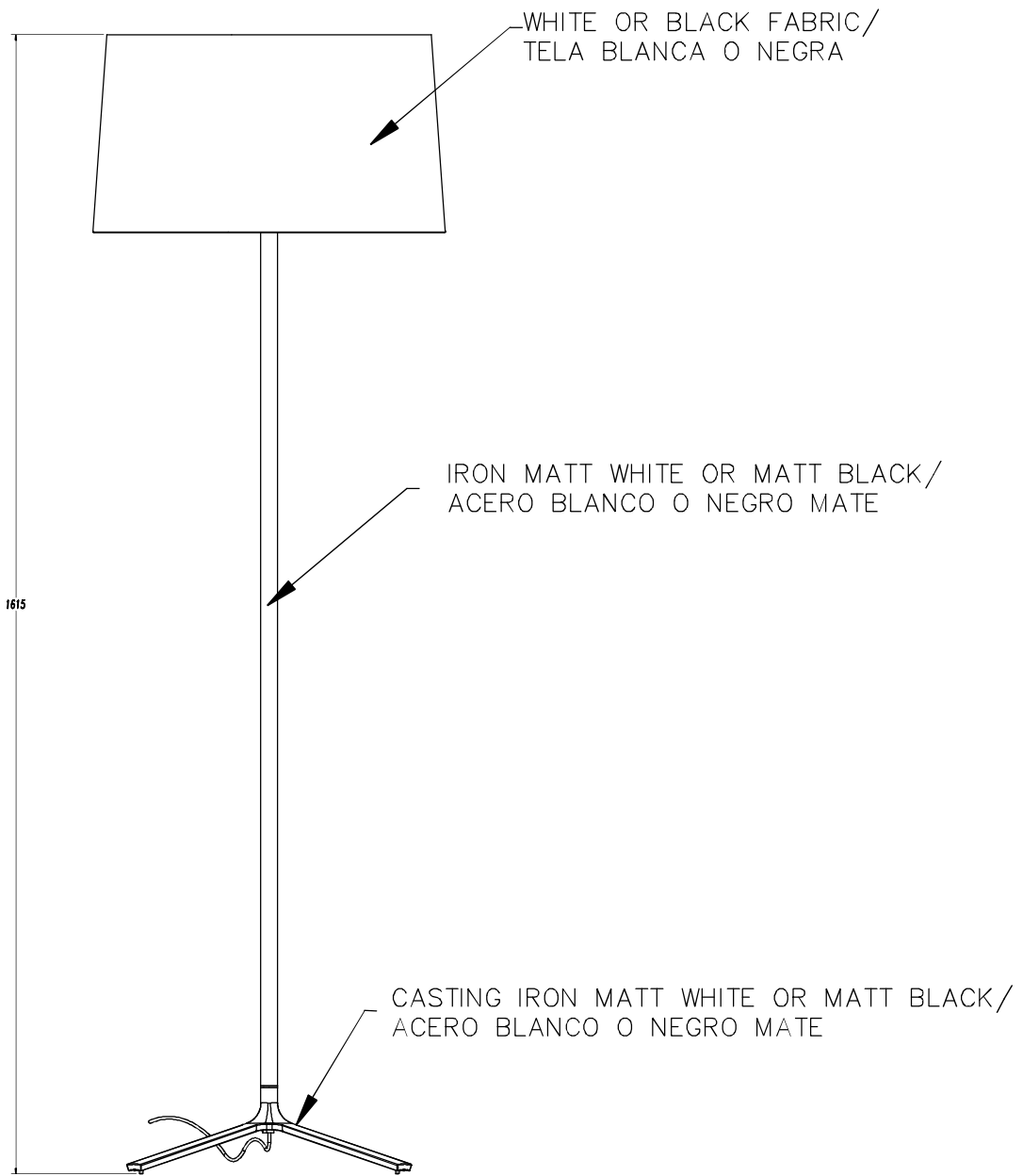
**Structure material:** Steel  
**Structure finish:** Matt black

**Diffuser material:** Fabric shade  
Methacrylate  
**Diffuser finish:** Black  
Tinted

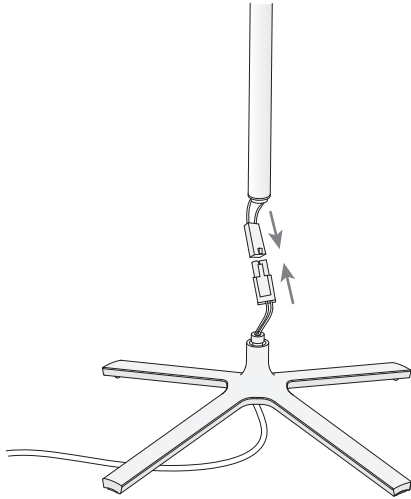
Download photometric file .ldt /.ies



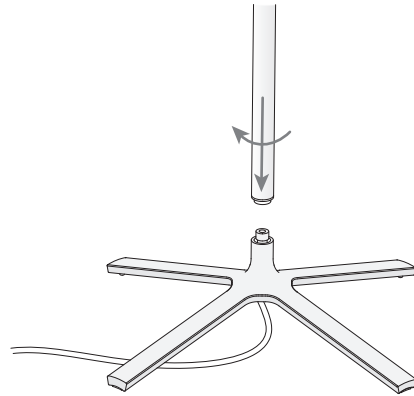
Click on image to download energy label



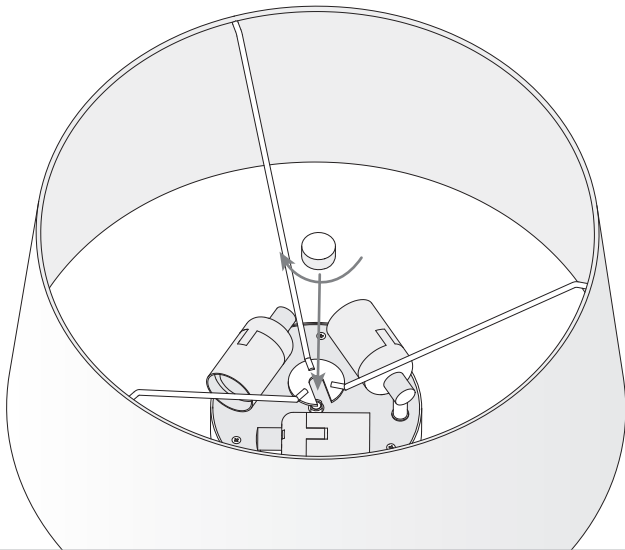
1



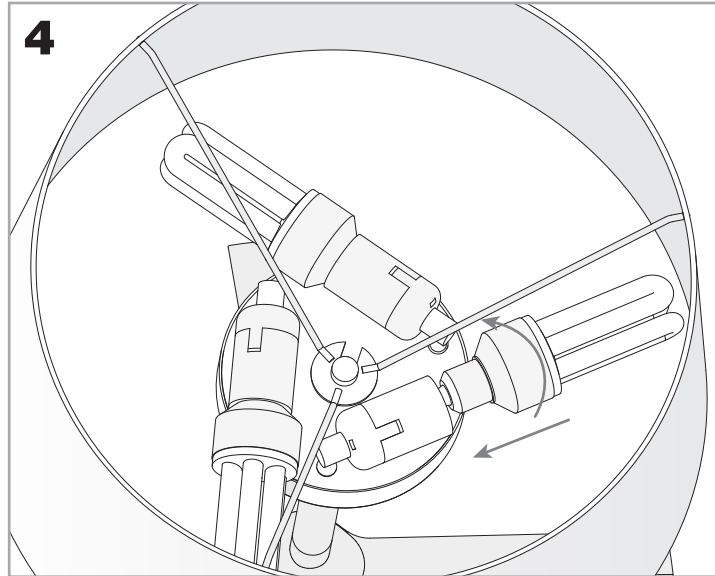
2



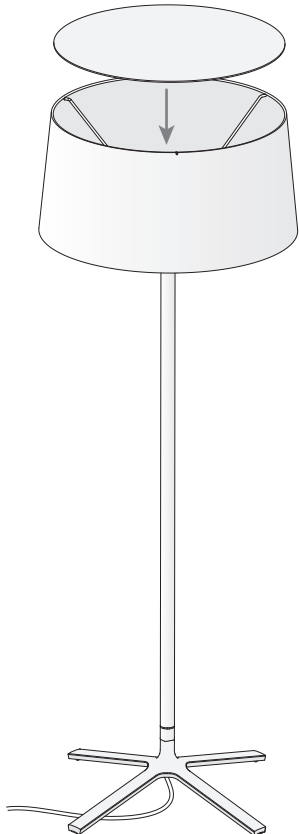
3



4



5



6

