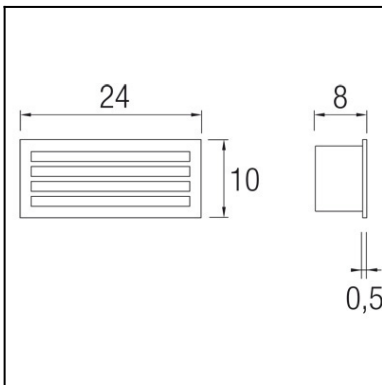




The photograph may not match the reference exactly. Please read the product description to identify the finish.



### TECHNICAL CHARACTERISTICS

Type:	WALL RECESSED
IP Protection degrees:	IP44
IK Protection degrees:	IK08
Light source 1:	1 x E27 MAX 60W Maximum lamp length: 145.00 mm Maximum lamp diameter: 45.00 mm
Total power consumption (W):	60
Voltage / Frequency:	230V/50-60Hz
Warranty (Years):	2
Units per box:	18
Net Weight (Kg):	0.89
EAN:	8435111044605



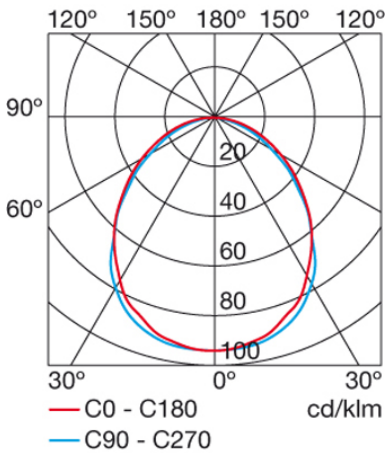
### MATERIALS / FINISHES

**Structure material:** Stainless steel AISI202

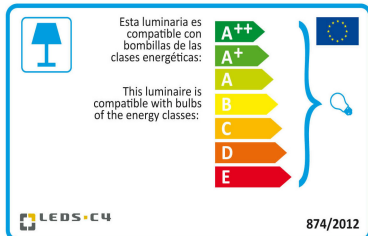
**Diffuser material:** Glass

**Structure finish:** Polished

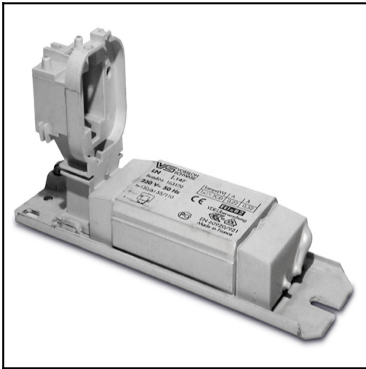
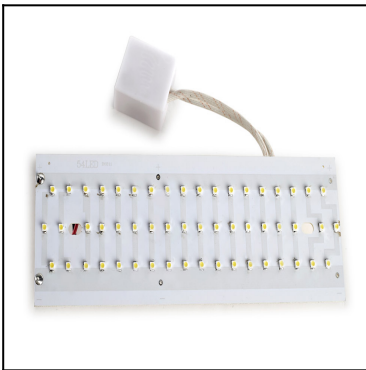
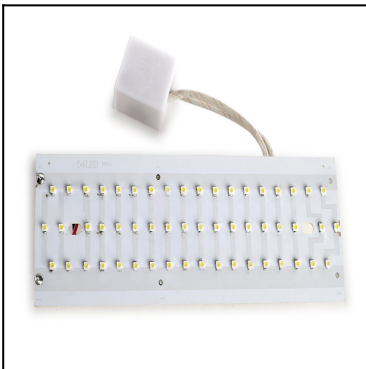
**Diffuser finish:** Matt



Download photometric file .ldt / .ies



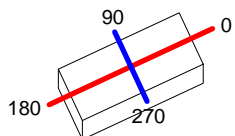
Click on image to download energy label

**71-8969-00-00****71-9713-00-00****71-9714-00-00**

<b>Luminaire</b>		<b>Measur.</b>		<b>Lamp</b>		
Code	05-9212-Y4-T2	Code	05-9212-Y4-T2	Code	PL-C13W/840/2P	
Name	Aplique 1x13W TC-D dif rejilla	Name	Aplique 1x13W TC-D dif rejilla	Number	1	
Line	Eulumdat	Date	18-11-2008	Position		
Efficiency	23.17%	Coordinate system	CG	Total Flux	900.00 lm	
Maximum value	84.42 cd	Position	C=0.00 G=0.00	Double Symmetrical		
Rectangular Luminaire	Length	100 mm	Width	235 mm	Height	5 mm
Rectangular Luminous Area	Length	70 mm	Width	200 mm	Height	1 mm
Horizontal Luminous Area	0.014000 m2	Emitting area on Plane 180°		0.000070 m2		
Emitting area on Plane 0°	0.000070 m2	Emitting area on Plane 270°		0.000200 m2		
Emitting area on Plane 90°	0.000200 m2	Glare area at 76°		0.003455 m2		
Symmetry Type	Double Symmetrical	Maximum Gamma Angle		90		
Measurement Distance	0.00	Measurement Flux		900.00 lm		
Operator	OxyTech	Source voltage				
Temperature	25.00 °C	Source current				
Humidity	60.00 %	Photocell				
Notes						

Luminaire Lamps						
Line	Code	Name	Flux [lm]	Pow. [W]	Q.ty	
Eulumdat	PL-C13W/840/2P	PL-C13W/840/2P - 13.00 W	900.00	13.00	1	
C.I.E.	52 83 96 100 23	D DIN 5040				
F UTE	0.23 D	B NBN				
		A40				
		BZ 4				

100mm x 235mm



**C Halfplanes**

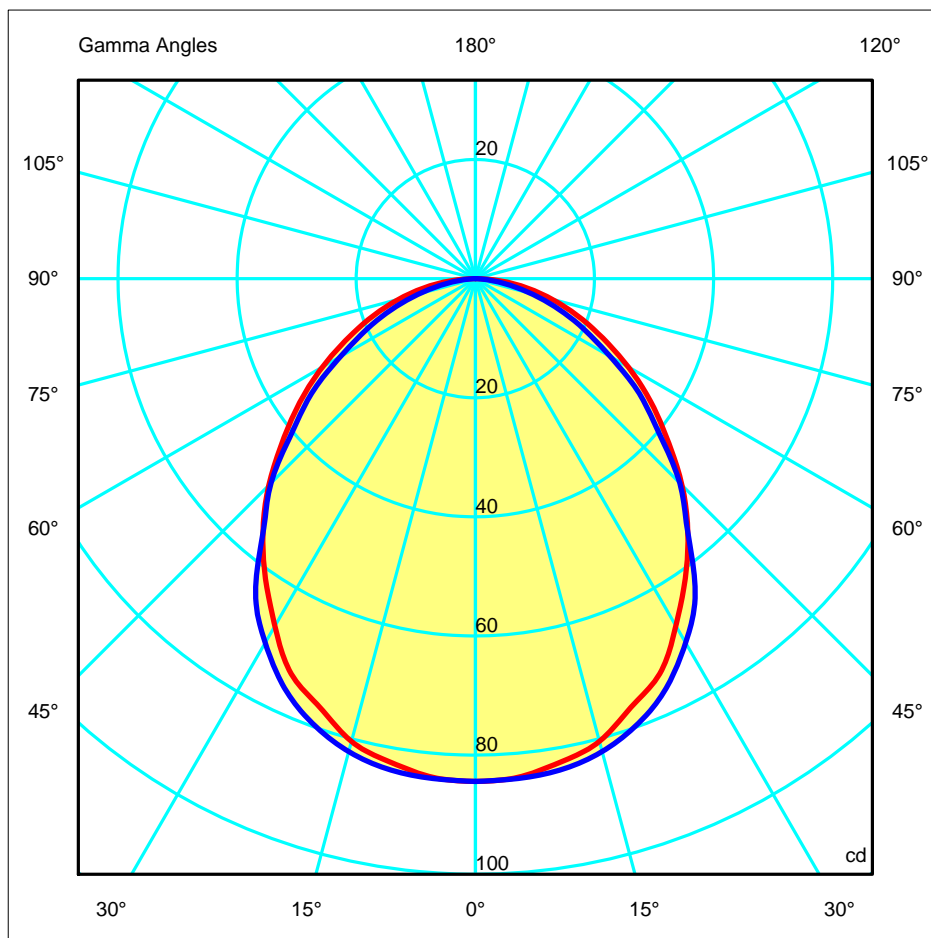
180.0 — 0.0

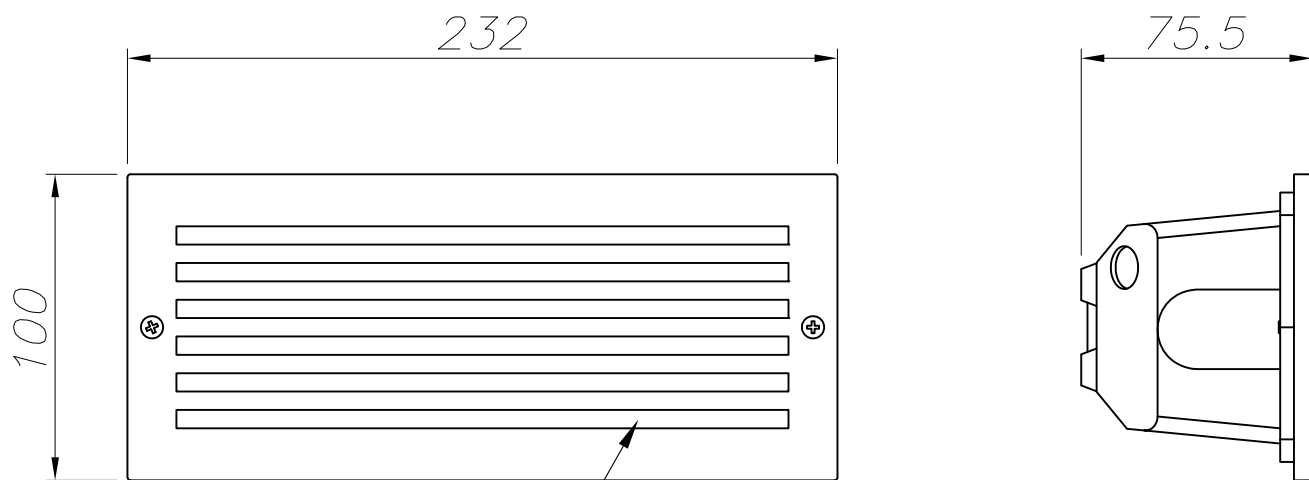
270.0 — 90.0

ULOR 0.00 %

DLOR 23.17 %

RN 0.00 %

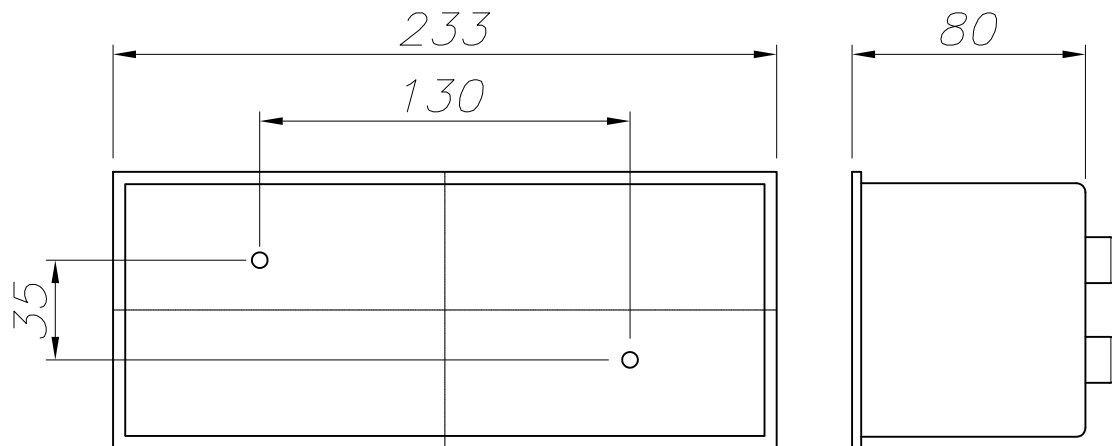
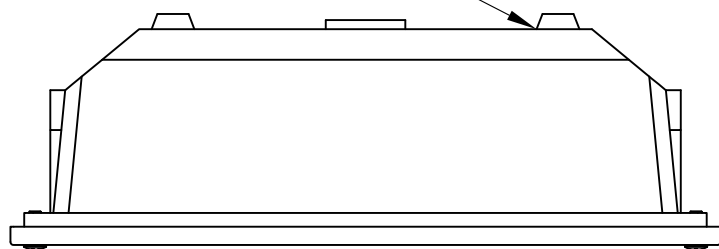




CRISTAL ARENADO INTERIOR  
SANDFROSTED GLASS INSIDE

ACERO INOXIDABLE AISI 202  
STAINLESS STEEL AISI 202

ALUMINIO INYECTADO  
INJECTED ALUMINIUM



CAJA DE EMPOTRAR  
FLUSH FITTING BOX

