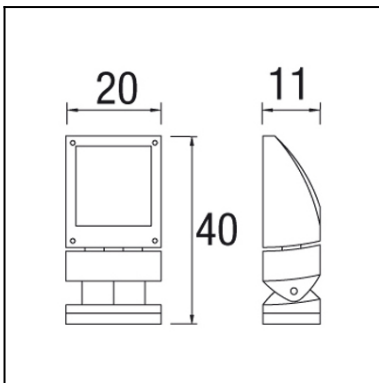




The photograph may not match the reference exactly. Please read the product description to identify the finish.



Description

Spotlight/floodlight with body produced in injected aluminium, with a tempered glass diffuser. Available for G12 HID (35W, 70W and 150W) light source and for compact fluorescent lamps (2 x GX24q-3 26W). Electrical components included. Discharge version includes 2 reflectors of 16° and 60°. Finished in light grey. Rotatable.

TECHNICAL CHARACTERISTICS

Type:	Wall fixture
Adjustable:	Adjustable $\pm 45^\circ$ on the horizontal axis.
IP Protection degrees:	IP65
IK Protection degrees:	IK08
Light source 1:	2 x GX24q3 26W
Voltage / Frequency:	220-240V/50-60Hz
Warranty (Years):	2
Units per box:	2
Net Weight (Kg):	4.111
EAN:	8435111050392



MATERIALS / FINISHES

Structure material: Injected aluminium

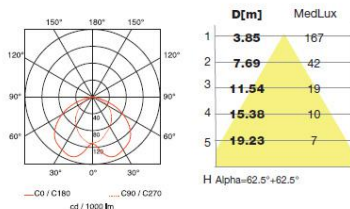
Diffuser material: Glass

Structure finish: Grey

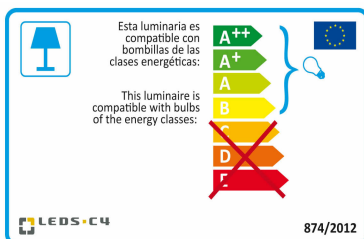
Diffuser finish: Tempered

GEAR

Gear included: Yes, electronic



Download photometric file .ldt / .ies



Click on image to download energy label

71-9291-34-34



Structure material:

Molten steel

Structure finish:

Grey

71-9292-34-34



Structure material:

Molten steel

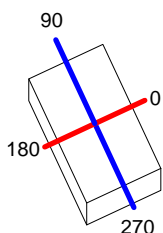
Structure finish:

Grey

Luminaire		Measur.		Lamp		
Code	05-9254-34	Code	IF070151	Code	TC-TEL 26/840	
Name	POMPEYA	Name	POMPEYA	Number	2	
Line	Eulumdat	Date	29-04-1994	Position		
Efficiency	38.16%	Coordinate system	CG	Total Flux	3600.00 lm	
Maximum value	540.72 cd	Position	C=0.00 G=20.00	Sym. on planes	270-90	
Rectangular Luminaire	Length	335 mm	Width	200 mm	Height	113 mm
Rectangular Luminous Area	Length	169 mm	Width	169 mm	Height	0 mm
Horizontal Luminous Area	0.028561 m2	Emitting area on Plane 180°		0.000000 m2		
Emitting area on Plane 0°	0.000000 m2	Emitting area on Plane 270°		0.000000 m2		
Emitting area on Plane 90°	0.000000 m2	Glare area at 76°		0.006910 m2		
Symmetry Type	Sym. on planes 270-90	Maximum Gamma Angle		180		
Measurement Distance	0.00	Measurement Flux		3600.00 lm		
Operator		Source voltage				
Temperature	25.00 °C	Source current				
Humidity	60.00 %	Photocell				
Notes						

Luminaire Lamps						
Line	Code	Name	Flux [lm]	Pow. [W]	Q.ty	
Eulumdat	TC-TEL 26/840	TC-TEL 26/840 - 26.00 W	1800.00	26.00	2	
C.I.E.	48 83 98 100 38	D DIN 5040				
F UTE	0.38 E	B NBN				
		A30				
		BZ 4				

335mm x 200mm



C Halfplanes

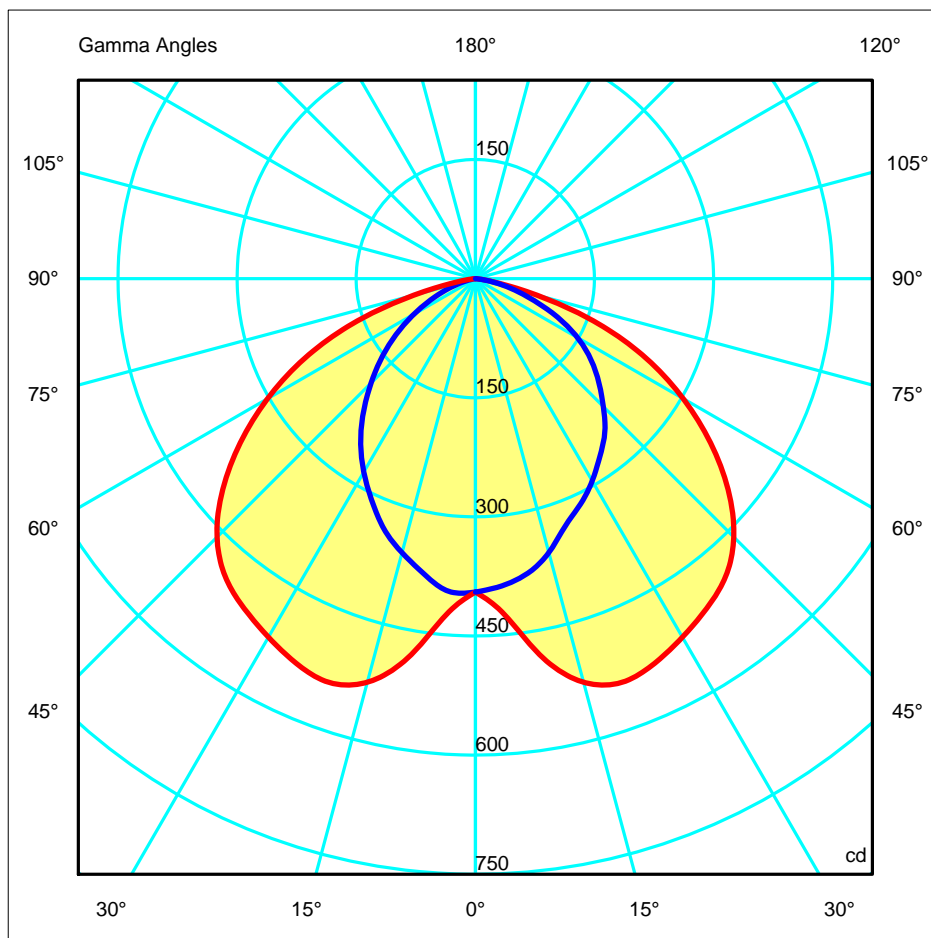
270.0 ———— 0.0

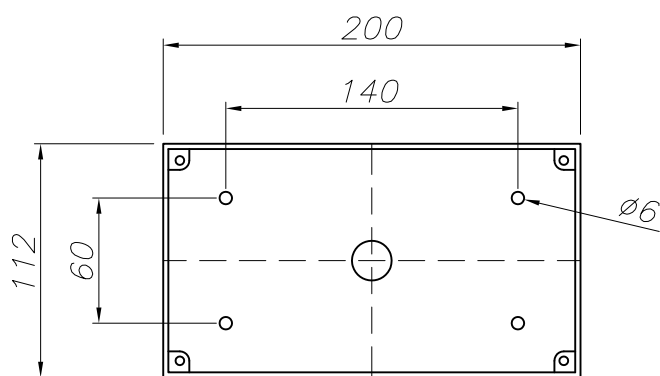
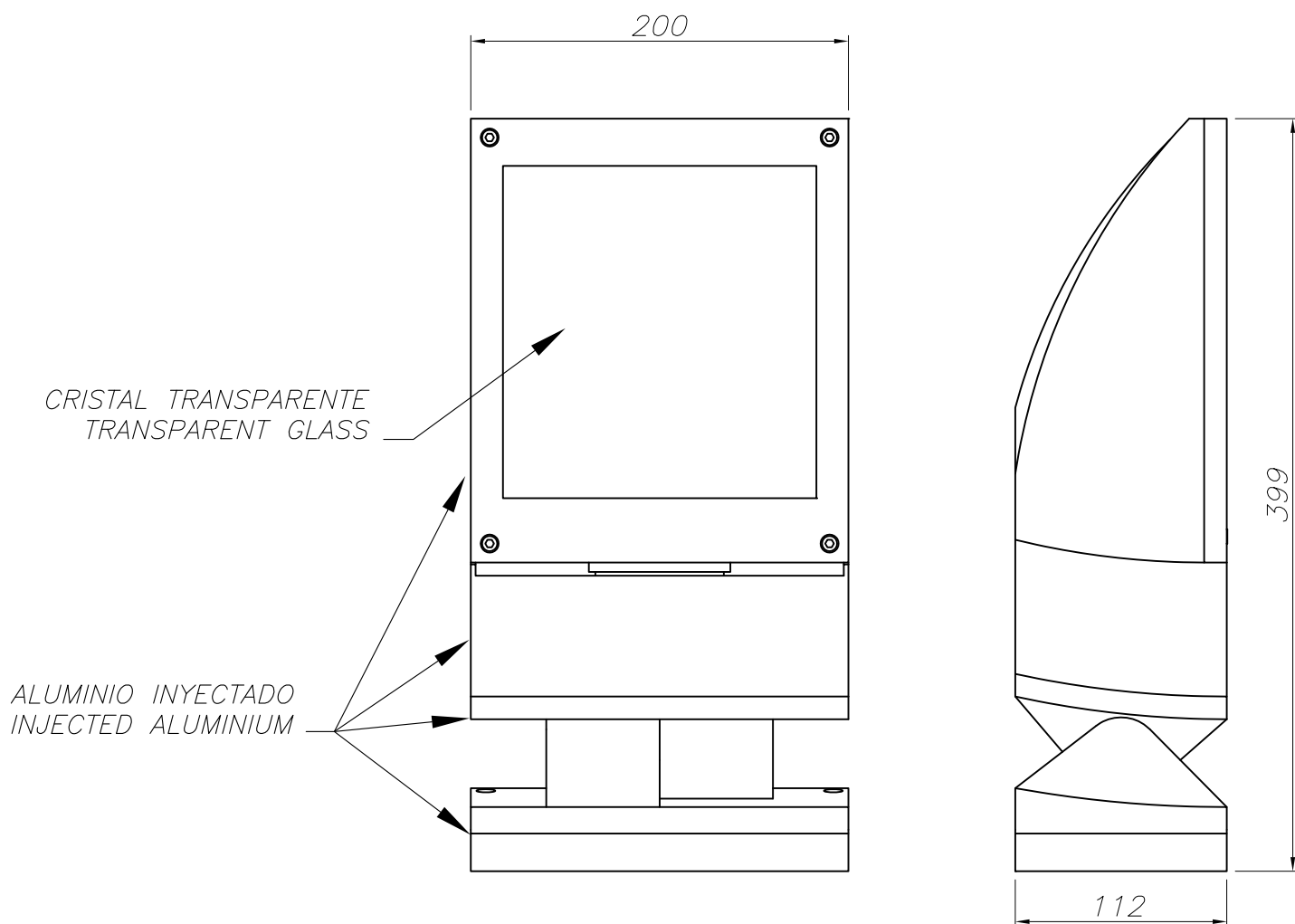
180.0 ———— 90.0

ULOR 0.00 %

DLOR 38.16 %

RN 0.00 %





PLANTILLA DE INSTALACIÓN
INSTALLATION TEMPLATE

