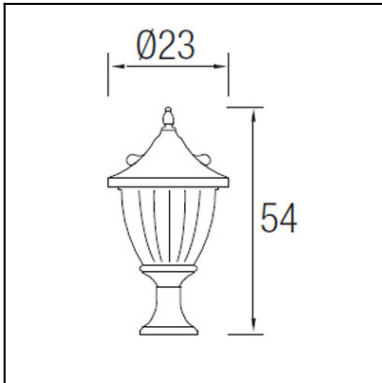




The photograph may not match the reference exactly. Please read the product description to identify the finish.



TECHNICAL CHARACTERISTICS

Type:	Lantern
IP Protection degrees:	IP23
Light source 1:	1 x E27 max.100W Maximum lamp length: 167.00 mm
Voltage / Frequency:	220-240V/50-60Hz
Warranty (Years):	2
Units per box:	4
Net Weight (Kg):	2.88
EAN:	8435111035603
Stability:	>15°



MATERIALS / FINISHES

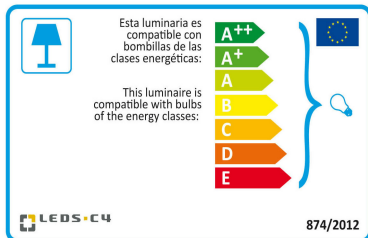
Structure material: Injected aluminium

Diffuser material: Glass

Structure finish: Oxide brown

Diffuser finish: Transparent

[Download photometric file .ldt / .ies](#)



[Click on image to download energy label](#)

71-9405-M3-M3



Structure material:

Polycarbonate

Structure finish:

Matt

IP65

71-9406-M3-M3



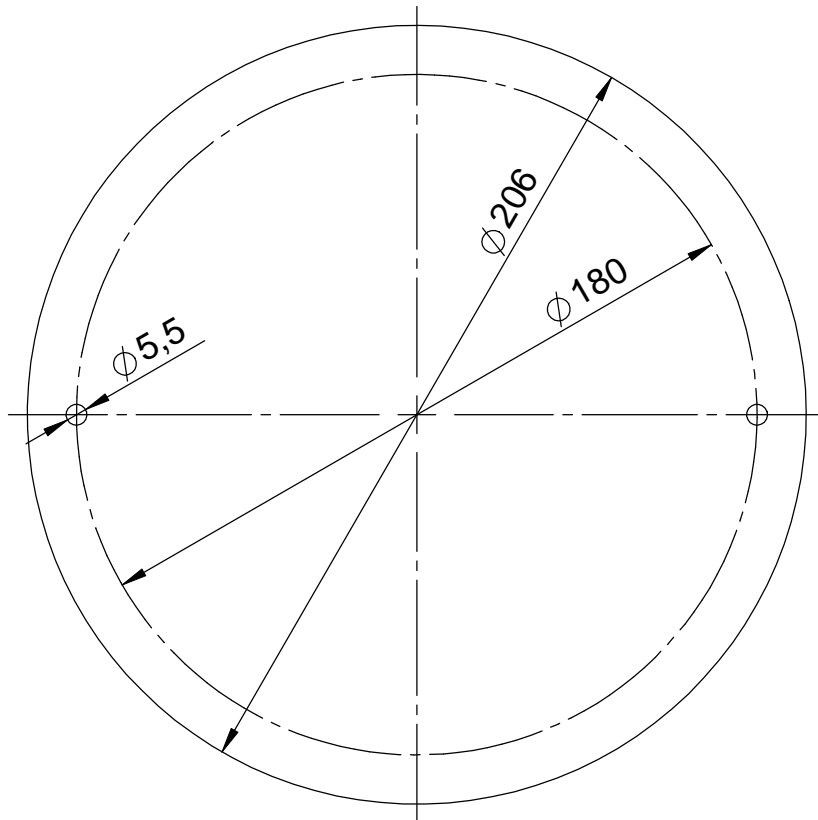
Structure material:

Polycarbonate

Structure finish:

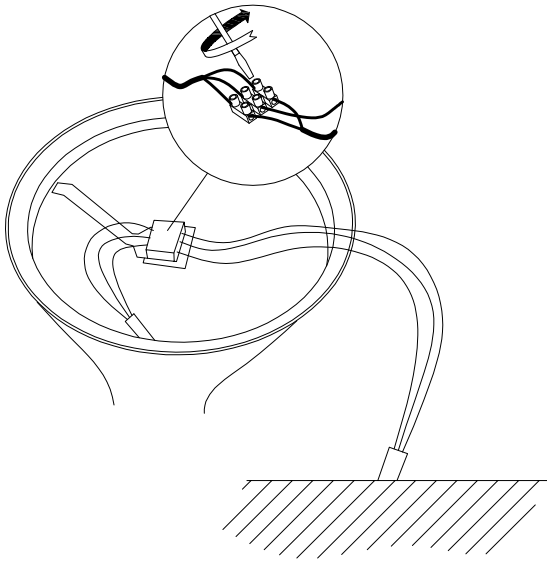
Matt

IP65

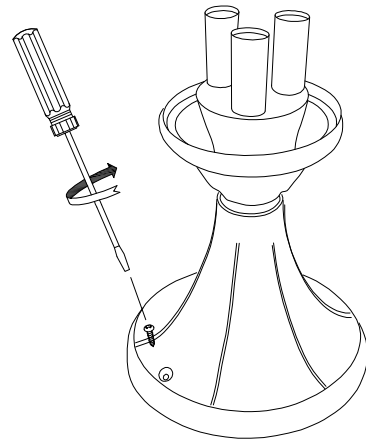


Modificaciones	Tolerancias generales		Escala	Material	Peso	
⑦	DIN 7168 - m		1:2			
⑥		Fecha	Nombre	Observaciones		
⑤	Dibujado	27/03/2008	J.Soler			
④	Comprob.	27/03/2008	-			
③	CRITERIOS DE CONTROL			CAD	Denominacion	
②	Inspección Dimensional	Nivel: -		A-4	Base 10-9151	
①	Inspección Visual	Nivel: -				

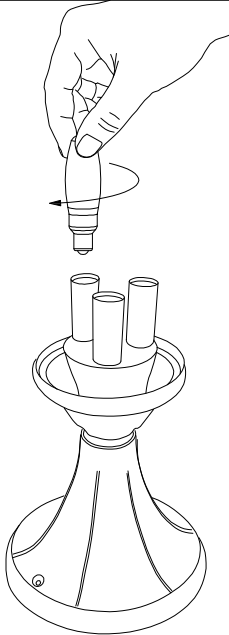
①



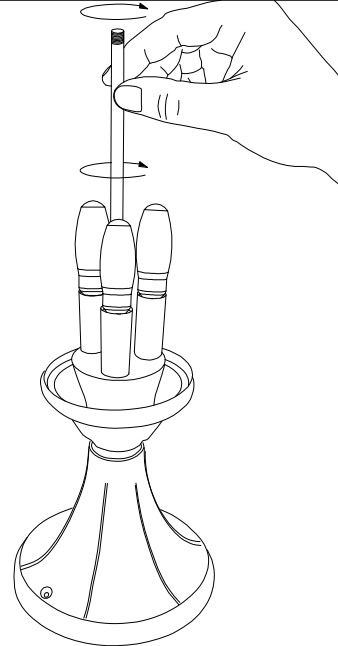
②



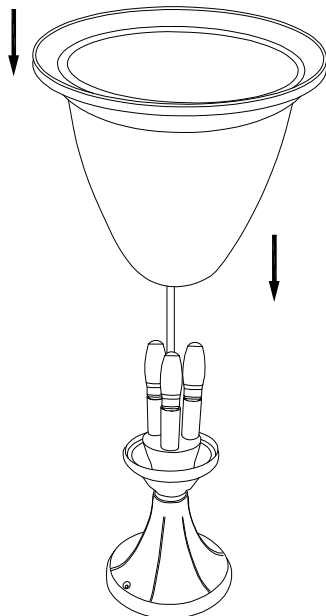
③



④



⑤



⑥

