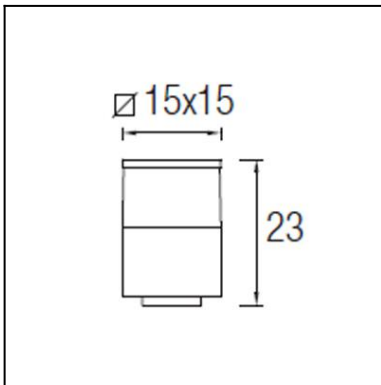




The photograph may not match the reference exactly. Please read the product description to identify the finish.



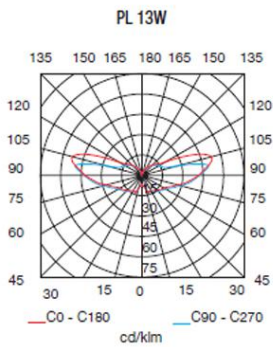
### TECHNICAL CHARACTERISTICS

|                              |  |
|------------------------------|--|
| Type:                        | Lantern  |
| IP Protection degrees:       | IP54   |
| IK Protection degrees:       | IK10   |
| Light source 1:              | 1 x E27<br>MAX 60W<br>Maximum lamp length: 180.00 mm |
| Total power consumption (W): | 60   |
| Voltage / Frequency:         | 230V/50-60Hz   |
| Warranty (Years):            | 2  |
| Units per box:               | 4  |
| Net Weight (Kg):             | 1.58   |
| EAN:                         | 8435111076248  |
| Stability:                   | >15°   |

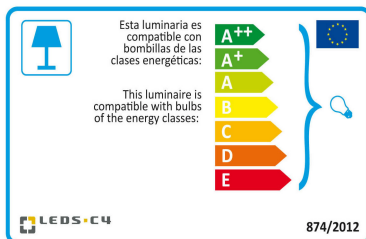


### MATERIALS / FINISHES

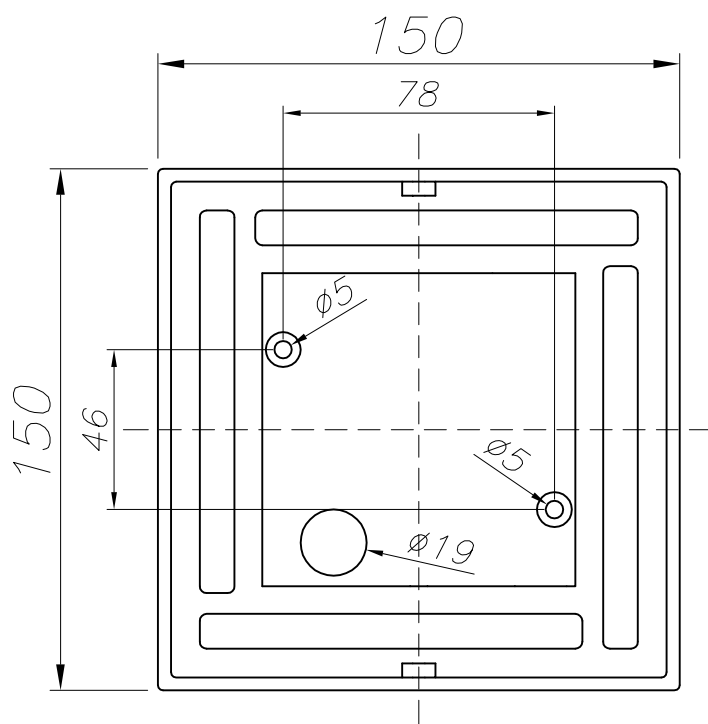
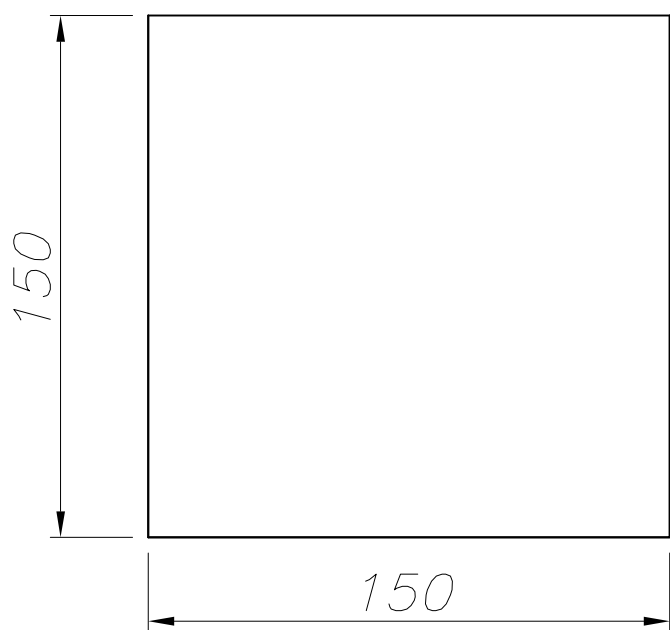
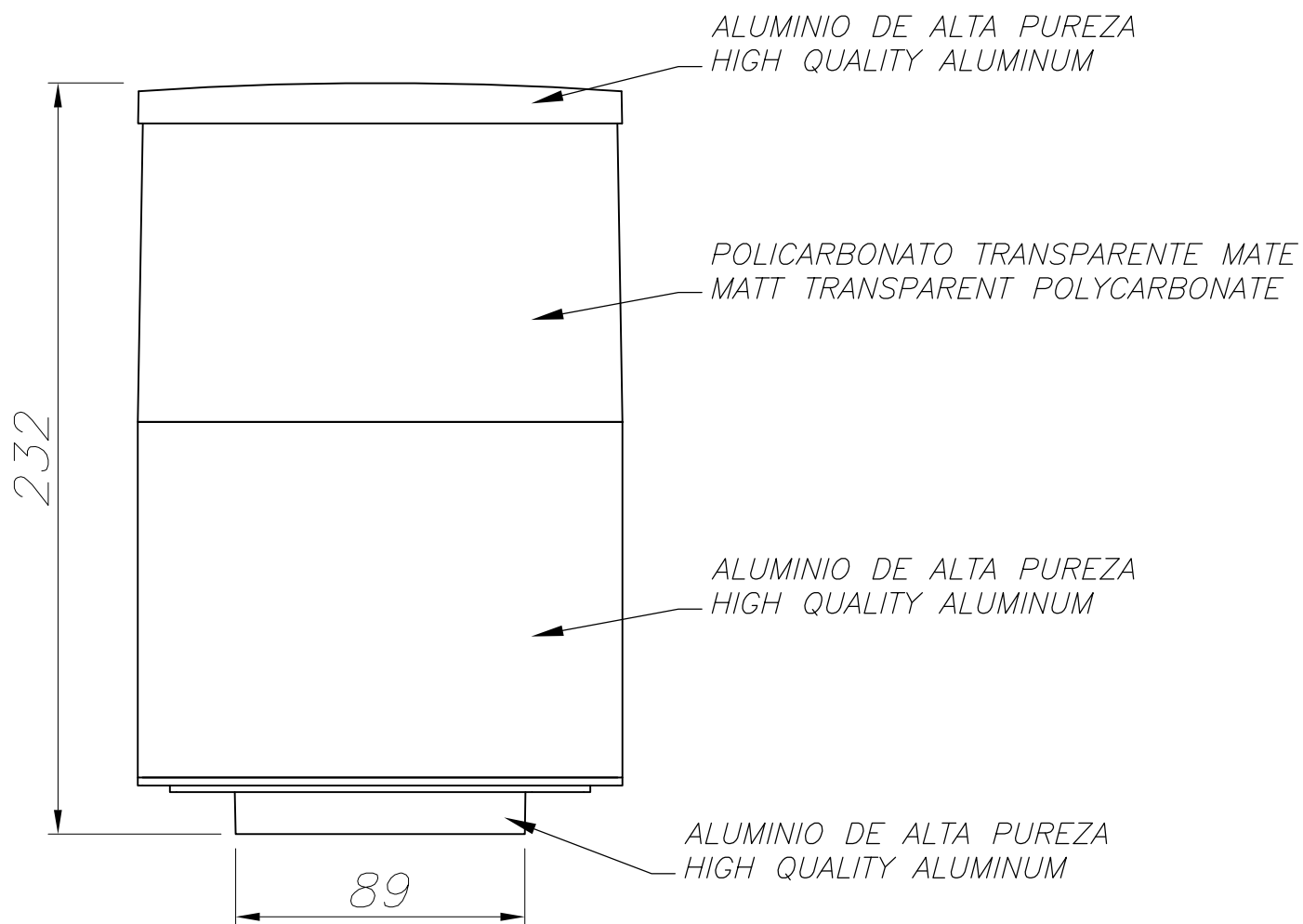
|                            |   |                           |               |
|----------------------------|---|---------------------------|---------------|
| <b>Structure material:</b> | Extruded aluminium<br>High purity aluminium | <b>Diffuser material:</b> | Polycarbonate |
| <b>Structure finish:</b>   | Grey  | <b>Diffuser finish:</b>   | Matt          |



Download photometric file .ldt / .ies



Click on image to download energy label



PLANTILLA DE INSTALACIÓN  
INSTALLATION TEMPLATE

