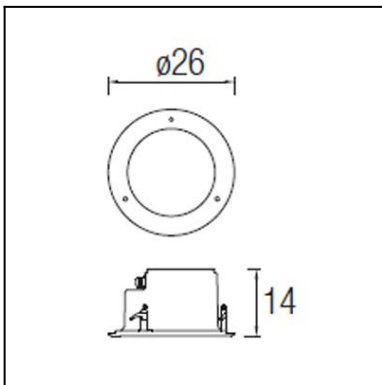




The photograph may not match the reference exactly. Please read the product description to identify the finish.



TECHNICAL CHARACTERISTICS

Type:	Ceiling fixture
IP Protection degrees:	IP66
IK Protection degrees:	IK08
Light source 1:	2 x GX24d3 26W
Angle of the optics / Reflector:	90°
Voltage / Frequency:	230V/50Hz
Warranty (Years):	2
Units per box:	4
Net Weight (Kg):	3.19
EAN:	8435111076354

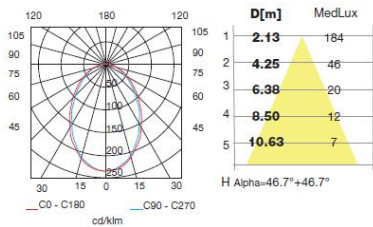


MATERIALS / FINISHES

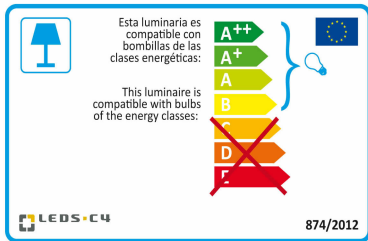
Structure material:	Stainless steel AISI304 Injected aluminium	Diffuser material:	Glass
Structure finish:	Polished Grey	Diffuser finish:	Matt

GEAR

Gear included: Yes, Magnetic

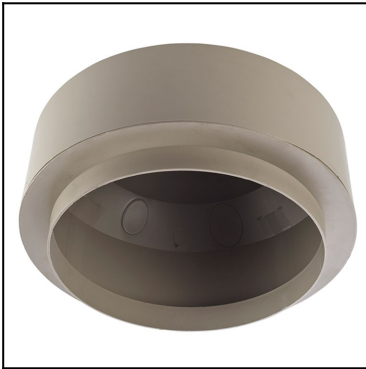


Download photometric file .ldt /.ies



Click on image to download energy label

71-9745-05-05



Structure material:

Polypropylene

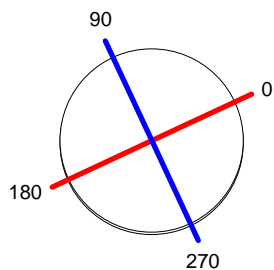
Structure finish:

Grey

Luminaire		Measur.		Lamp	
Code	15-9392-Y4-T2	Code	15-9392-Y4-T2	Code	PL-T26W/830/2P
Name	Downl GEA 2x26W TC-T dif. opal	Name	Downl GEA 2x26W TC-T dif. opal	Number	2
Line	Eulumdat	Date	30-07-2009	Position	
Efficiency	31.15%	Coordinate system	CG	Total Flux	3600.00 lm
Maximum value	514.48 cd	Position	C=0.00 G=0.00	Double Symmetrical	
Round Luminaire	Diam.	260 mm	Height	7 mm	
Round Luminous Area	Diam.	182 mm	Height	1 mm	
Horizontal Luminous Area	0.026016 m2	Emitting area on Plane 180°	0.000182 m2		
Emitting area on Plane 0°	0.000182 m2	Emitting area on Plane 270°	0.000182 m2		
Emitting area on Plane 90°	0.000182 m2	Glare area at 76°	0.006470 m2		
Symmetry Type	Double Symmetrical	Maximum Gamma Angle	90		
Measurement Distance	0.00	Measurement Flux	3600.00 lm		
Operator	Asselum	Source voltage			
Temperature	25.00 °C	Source current			
Humidity	60.00 %	Photocell			
Notes					

Luminaire Lamps					
Line	Code	Name	Flux [lm]	Pow. [W]	Q.ty
Eulumdat	PL-T26W/830/2P	PL-T26W/830/2P - 26.00 W	1800.00	26.00	2
C.I.E.	55 83 97 100 31	D DIN 5040	A40		
F UTE	0.31 D	B NBN	BZ 3 / 0.8 / BZ 4		

Diam=260mm



C Halfplanes

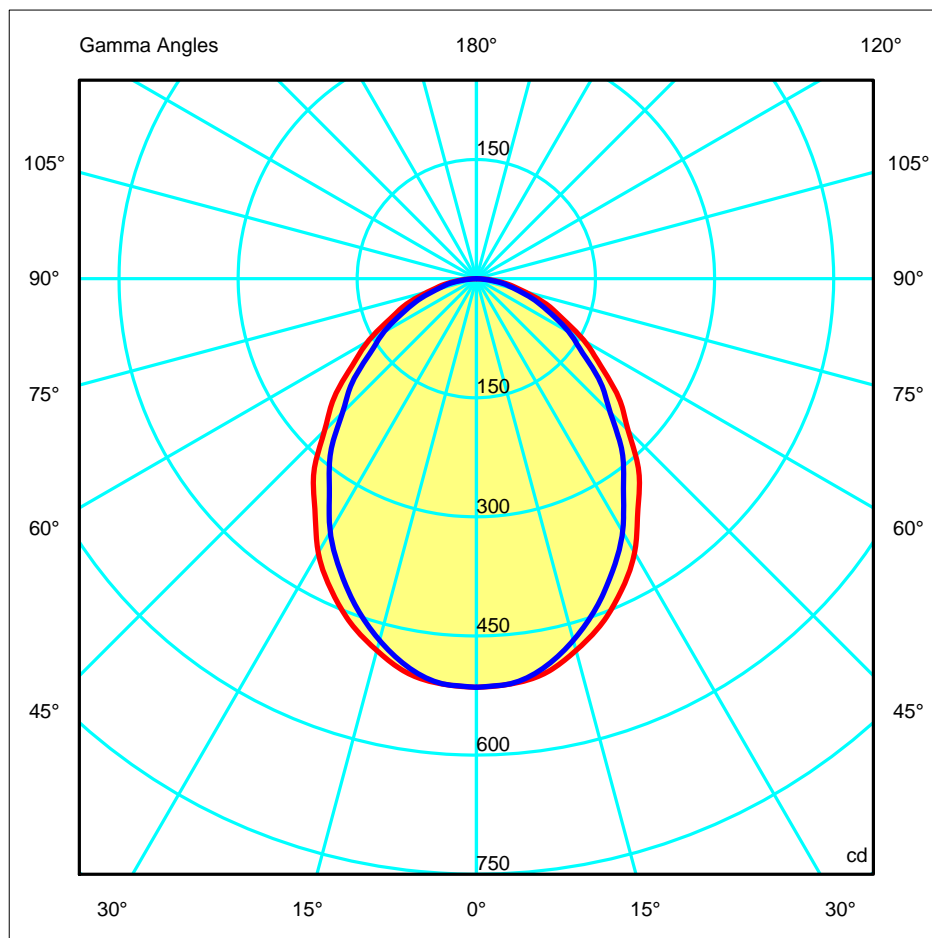
180.0 — 0.0 (Red line)

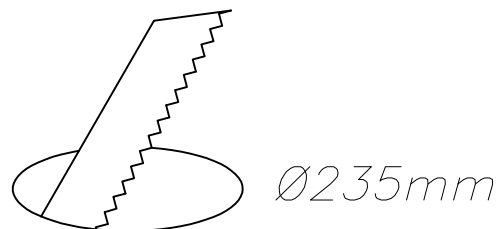
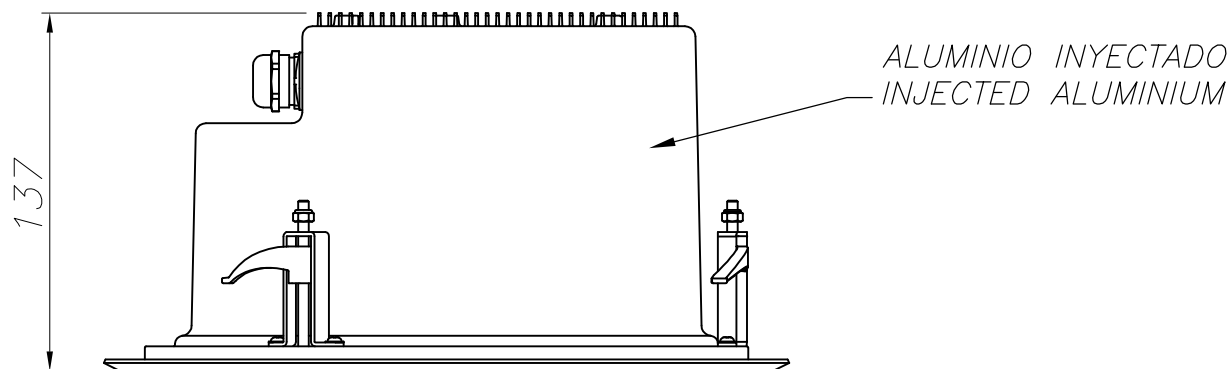
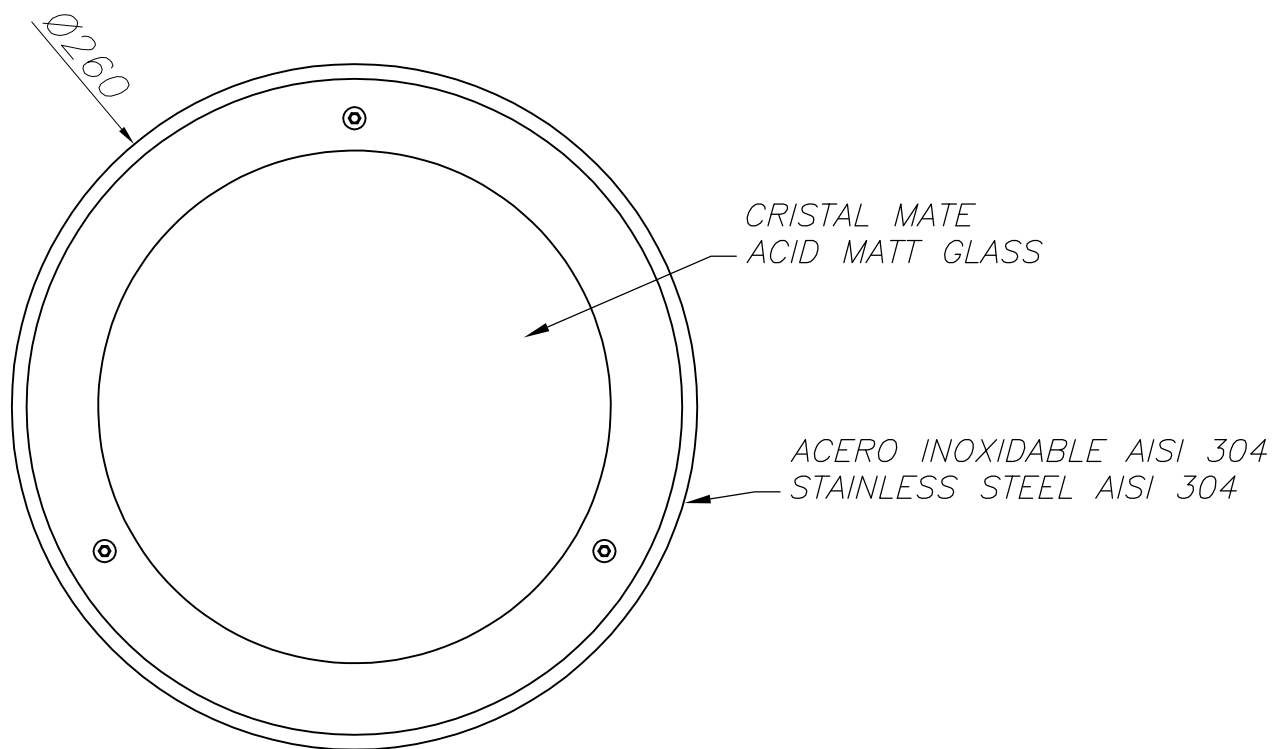
270.0 — 90.0 (Blue line)

ULOR 0.00 %

DLOR 31.15 %

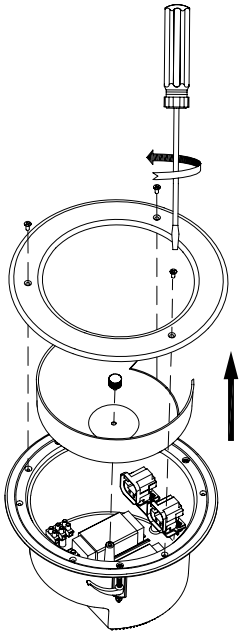
RN 0.00 %



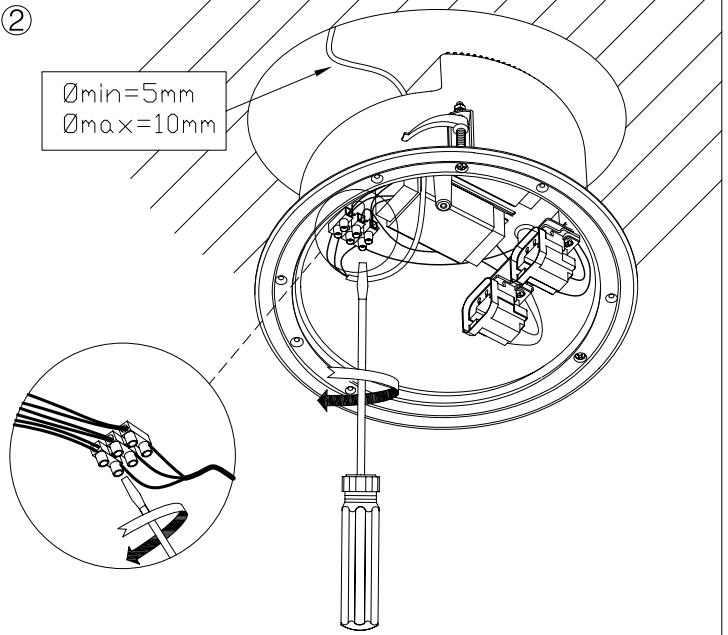


AGUJERO PARA EMPOTRAR
FITTING HOLE

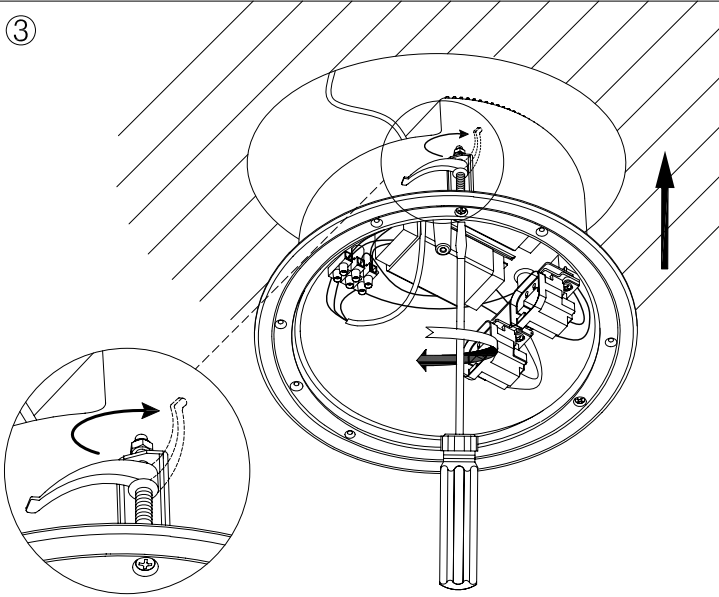
①



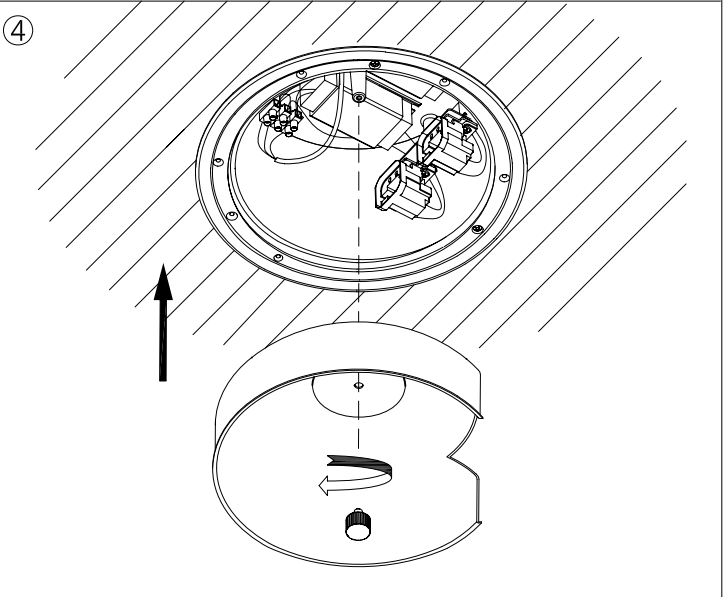
②



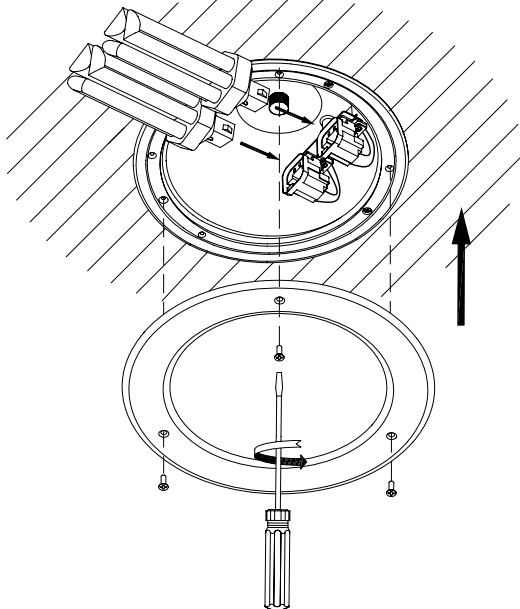
③



④



⑤



⑥

