

OUT 

ELECTRA
55-8790-Y4-M1

TECHNICAL CHARACTERISTICS

Type:	Beacon
IP Protection degrees:	IP55
Light source 1:	1 x E27 max. 23W Maximum lamp length: 167.00 mm Maximum lamp diameter: 55.00 mm
Total power consumption (W):	23
Voltage / Frequency:	220-240V/50-60Hz
Warranty (Years):	2
Units per box:	2
Net Weight (Kg):	1.615
EAN:	8435071402453



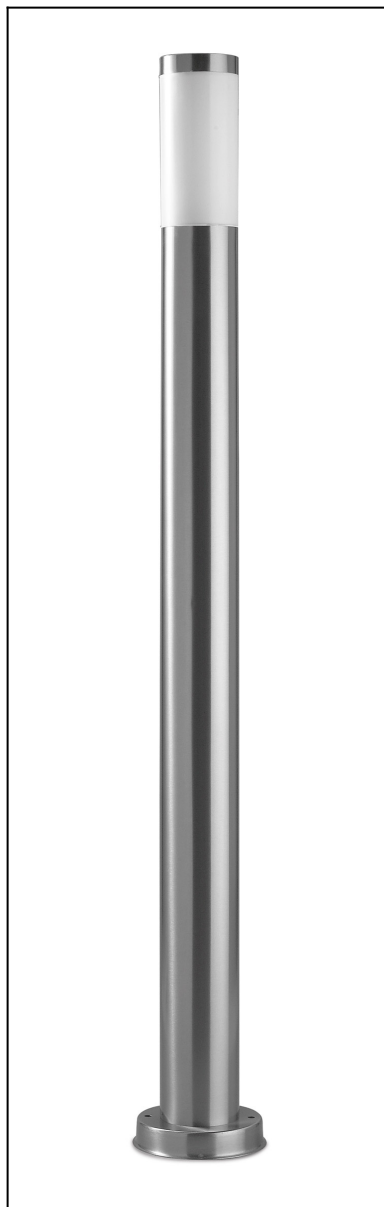
MATERIALS / FINISHES

Structure material: Stainless steel AISI202

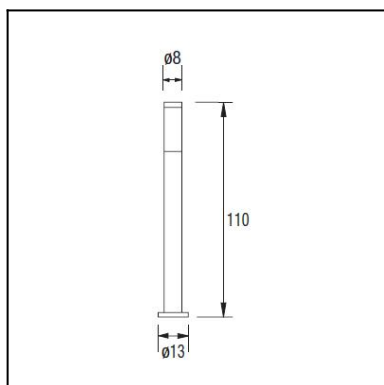
Diffuser material: Polycarbonate

Structure finish: Polished

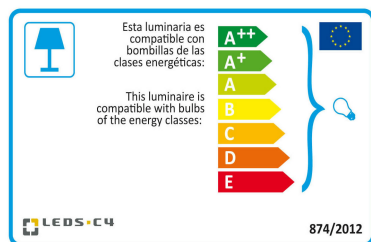
Diffuser finish: Opal



The photograph may not match the reference exactly. Please read the product description to identify the finish.



Download photometric file .ldt /.ies



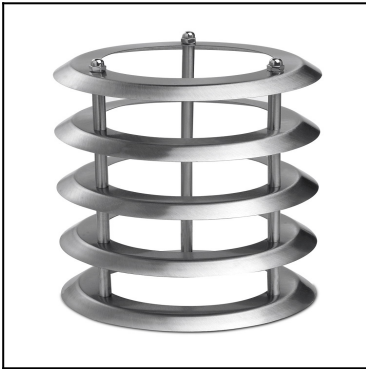
Click on image to download energy label

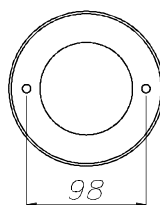
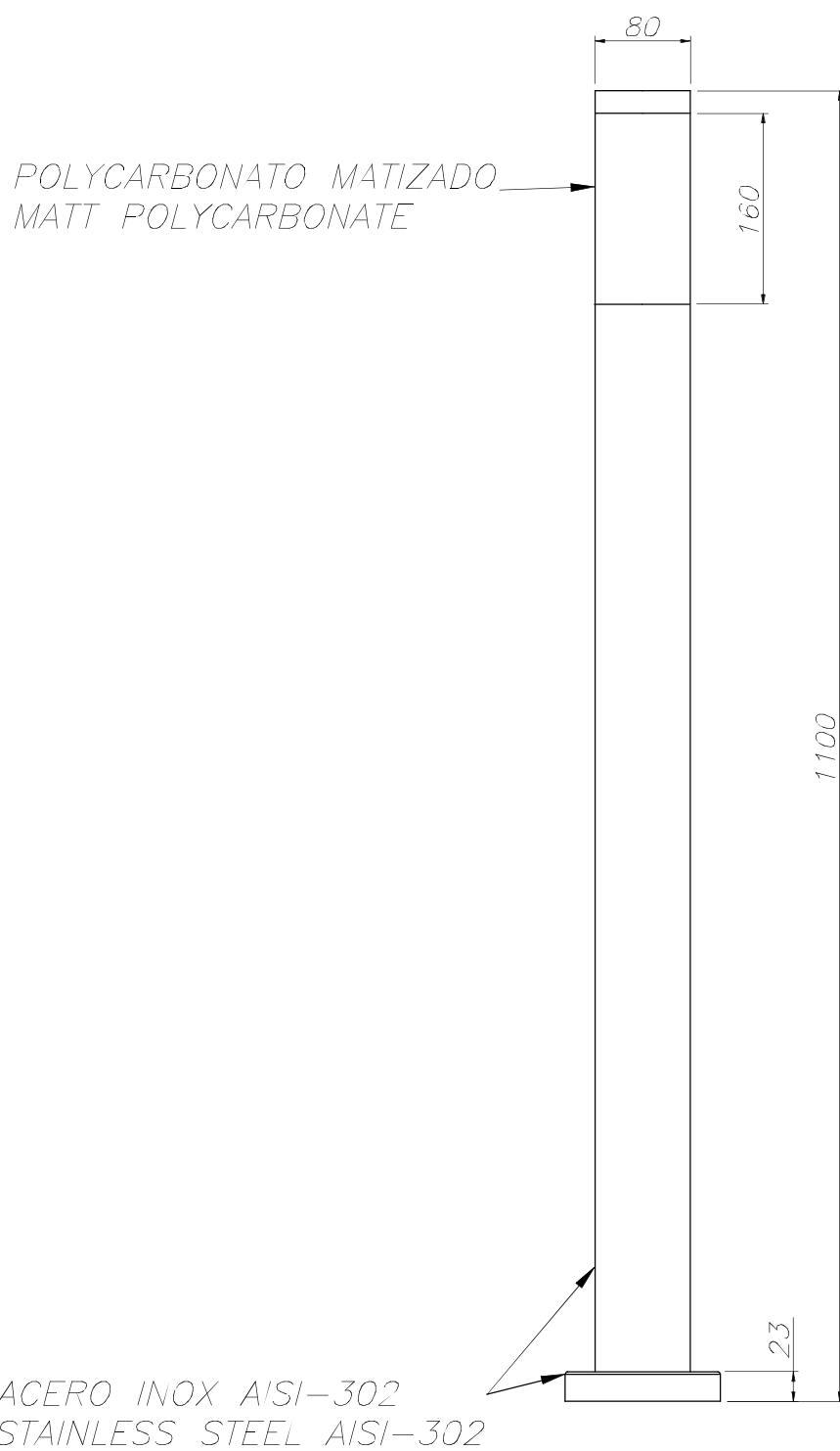
LEDS-C4 reserves the right to make the necessary technical changes they deem adequate, in order to improve the features of the product.

Please consult the sales team to clarify any doubt.

(+34) 973 468 100
leds-c4@leds-c4.com
www.leds-c4.com

55-8791-Y4-Y4

**Structure material:** Stainless steel AISI202**Structure finish:** Polished





LEDS-C4

OUTDOOR

10-8790
55-8790

