



### TECHNICAL CHARACTERISTICS

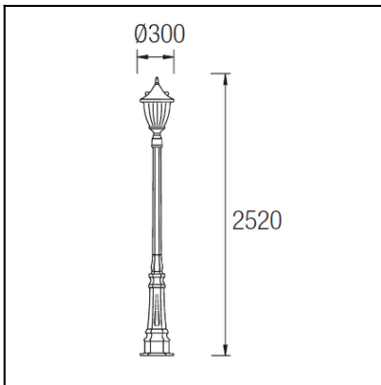
Type:	Column
Warranty (Years):	2
Units per box:	1
Net Weight (Kg):	7.85
EAN:	8435111036419



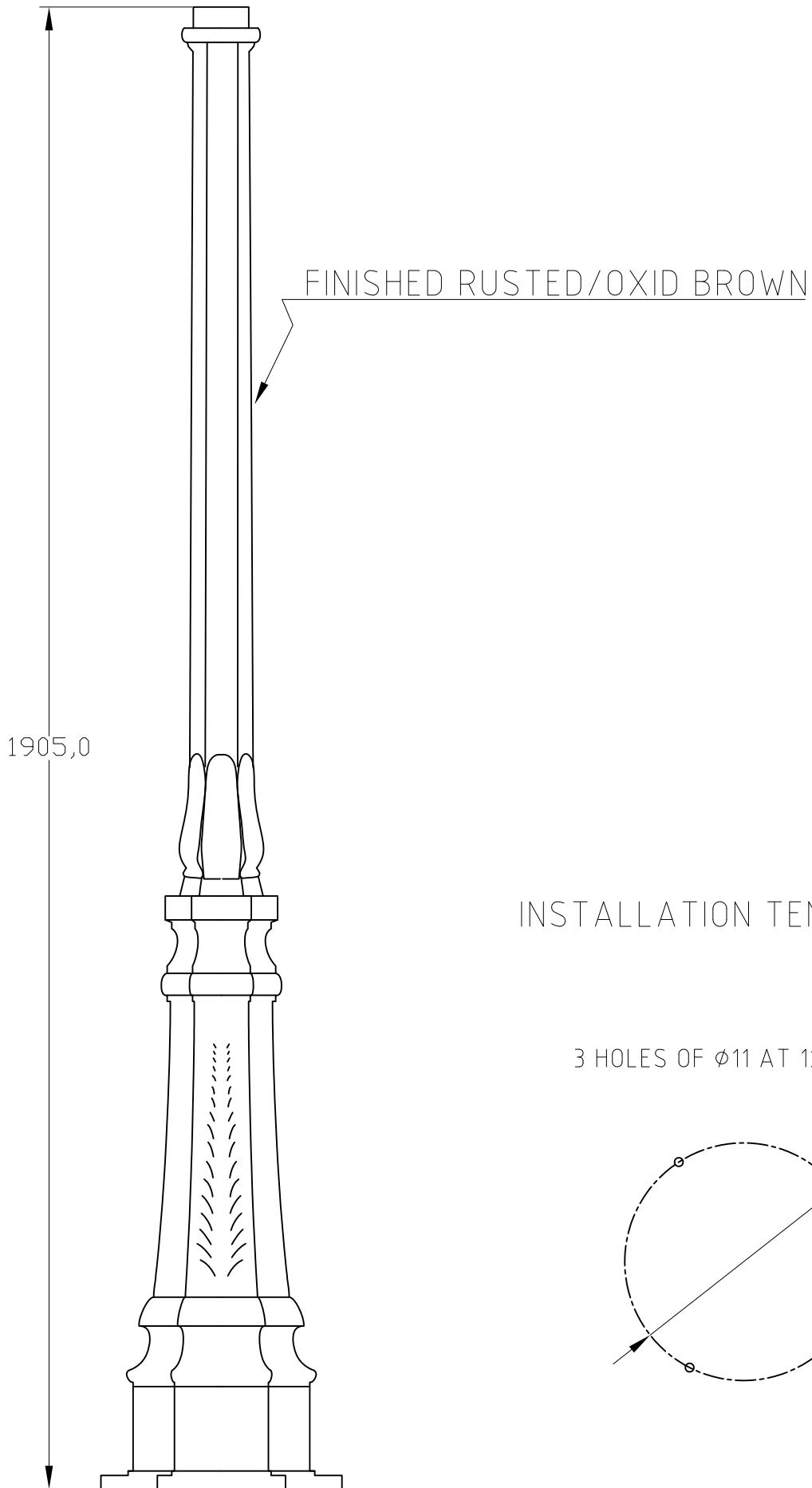
### MATERIALS / FINISHES

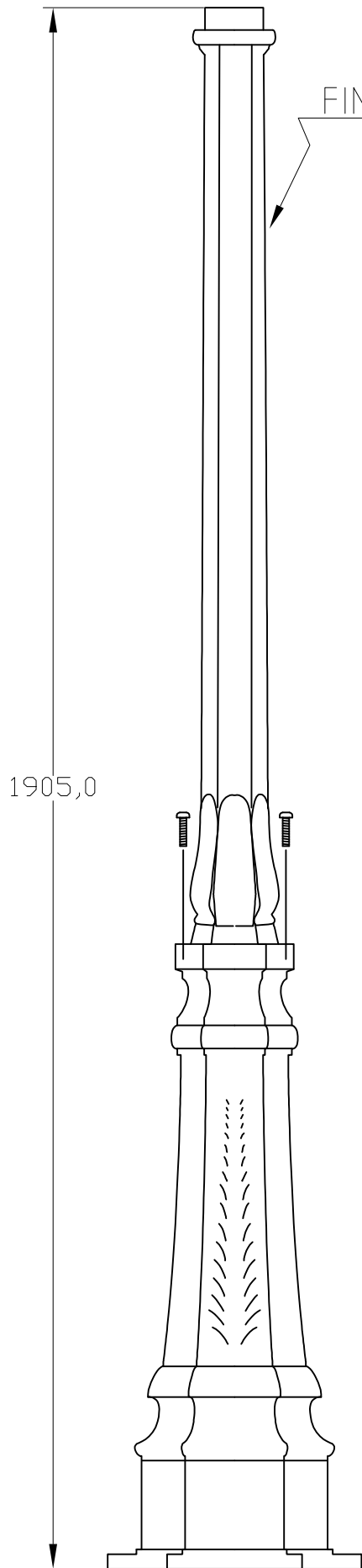
**Structure material:** Injected aluminium

**Structure finish:** Oxide brown

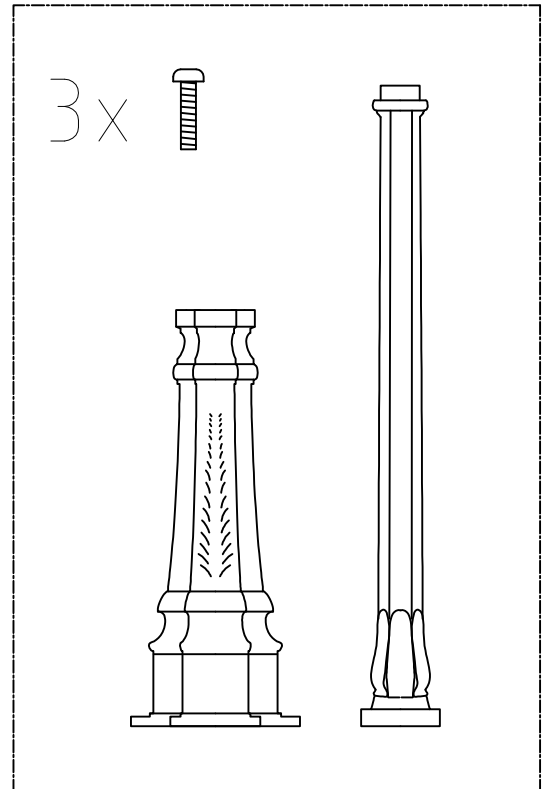


[Download photometric file .ldt / .ies](#)





FINISHED RUSTED/OXID BROWN



INSTALLATION TEMPLATE

3 HOLES OF  $\phi 11$  AT  $120^\circ$

