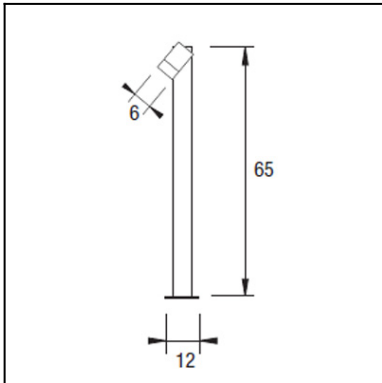




The photograph may not match the reference exactly. Please read the product description to identify the finish.



TECHNICAL CHARACTERISTICS

Type:	Beacon
Adjustable:	Adjustable $\pm 120^\circ$ on the horizontal axis.
IP Protection degrees:	IP44
Light source 1:	2 x GU10 max. 50W Maximum lamp length: 75.00 mm
Bulb included:	2 x GU10 50. Warm white (<3700 K)
Voltage / Frequency:	220-240V/50-60Hz
Warranty (Years):	2
Units per box:	2
Net Weight (Kg):	2.725
EAN:	8435111044766



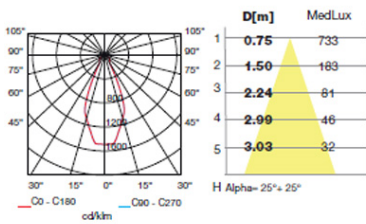
MATERIALS / FINISHES

Structure material: Injected aluminium

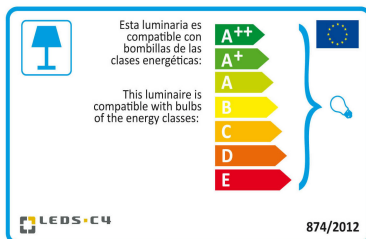
Diffuser material: Glass

Structure finish: Grey

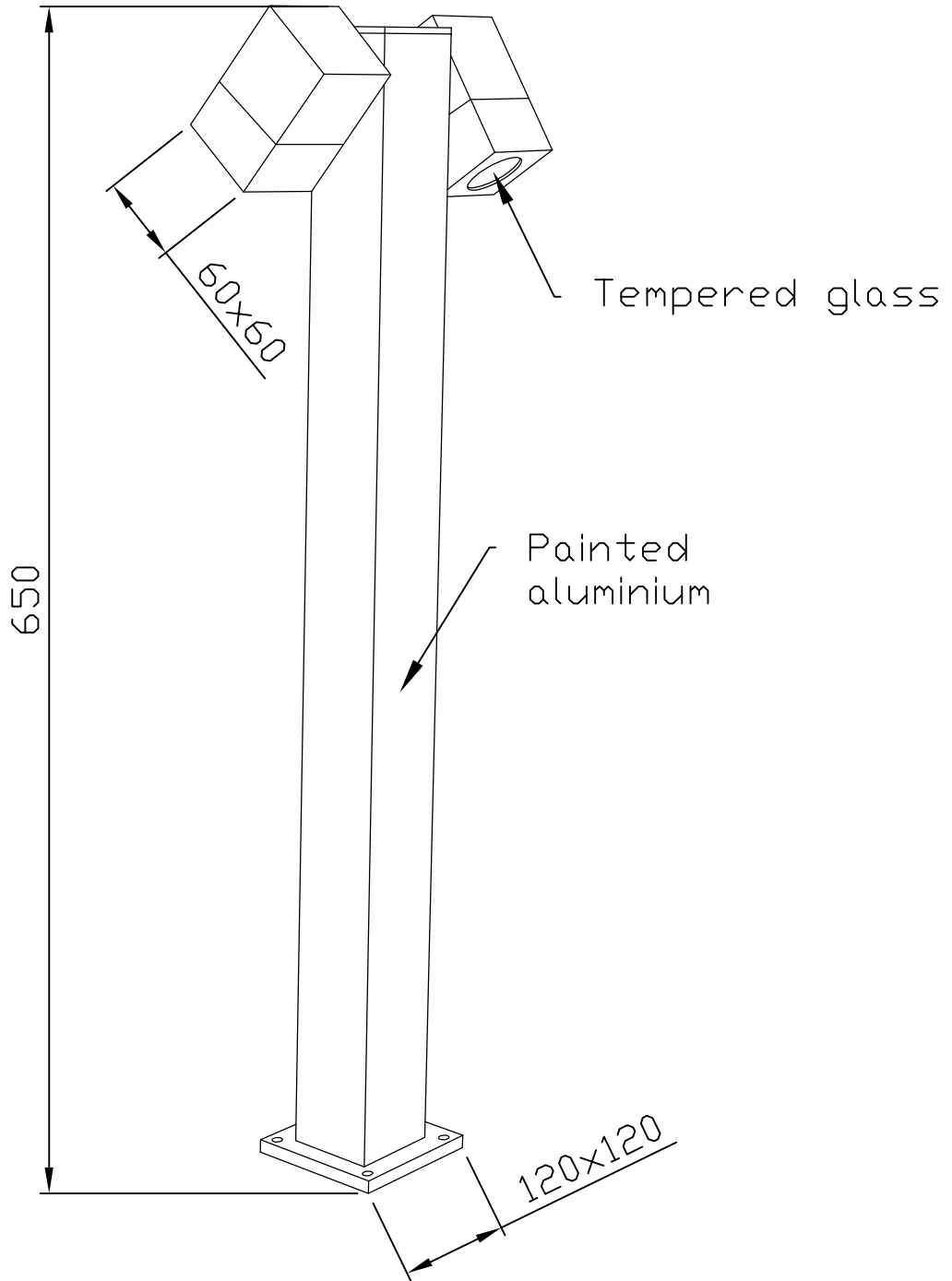
Diffuser finish: Tempered



Download photometric file .ldt / .ies



Click on image to download energy label





LEDS-C4

OUTDOOR

55-9190

