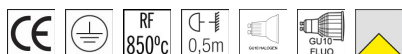


TECHNICAL CHARACTERISTICS

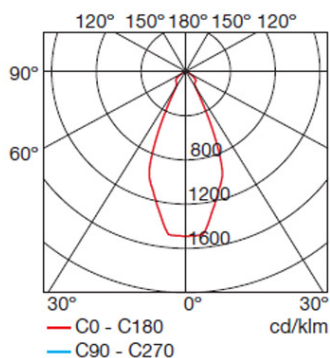
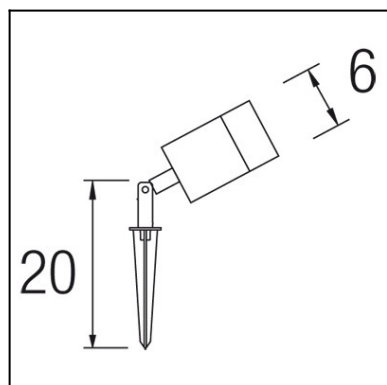
Type:	Spotlight
Adjustable:	Adjustable $\pm 90^\circ$ on the horizontal axis.
IP Protection degrees:	IP44
Light source 1:	1 x GU10 50 W Maximum lamp length: 75.00 mm
Bulb included:	1 x GU10 50 W
Voltage / Frequency:	220-240V/50-60Hz
Warranty (Years):	2
Units per box:	8
Net Weight (Kg):	0.8
EAN:	8435111044773



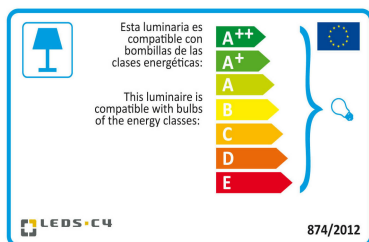
The photograph may not match the reference exactly. Please read the product description to identify the finish.

MATERIALS / FINISHES

Structure material:	Injected aluminium	Diffuser material:	Tempered glass
Structure finish:	Grey	Diffuser finish:	Transparent



Download photometric file .ldt / .ies



Click on image to download energy label